

BT ROOF 2 315 SB (509303150)

GENERAL DATA

BT ROOF 2 SB



BT ROOF 2 SBP

CENTRIFUGAL ROOF FAN WITH BACKWARD IMPELLER.HORIZONTAL DISCHARGE

MANUFACTURING FEATURES:

- Fan casing made of steel.
- Housing protected with polyester finishing coat.
- Electrical connection in external box.
- Backward impeller with self-cleaning system, directly coupled.
- Variable speed by voltage.
- Asynchronous external rotor with thermal protector. IP-54 protection. Standard voltages single phase motor 230V 50/60Hz (except 315 model which has different motor for 50 and 60Hz).

APPLICATIONS

Specially designed for roof installation, they are suitable for:

- Air renewal in bathrooms and small closed environments.
- Maximum working temperature: 50°C.

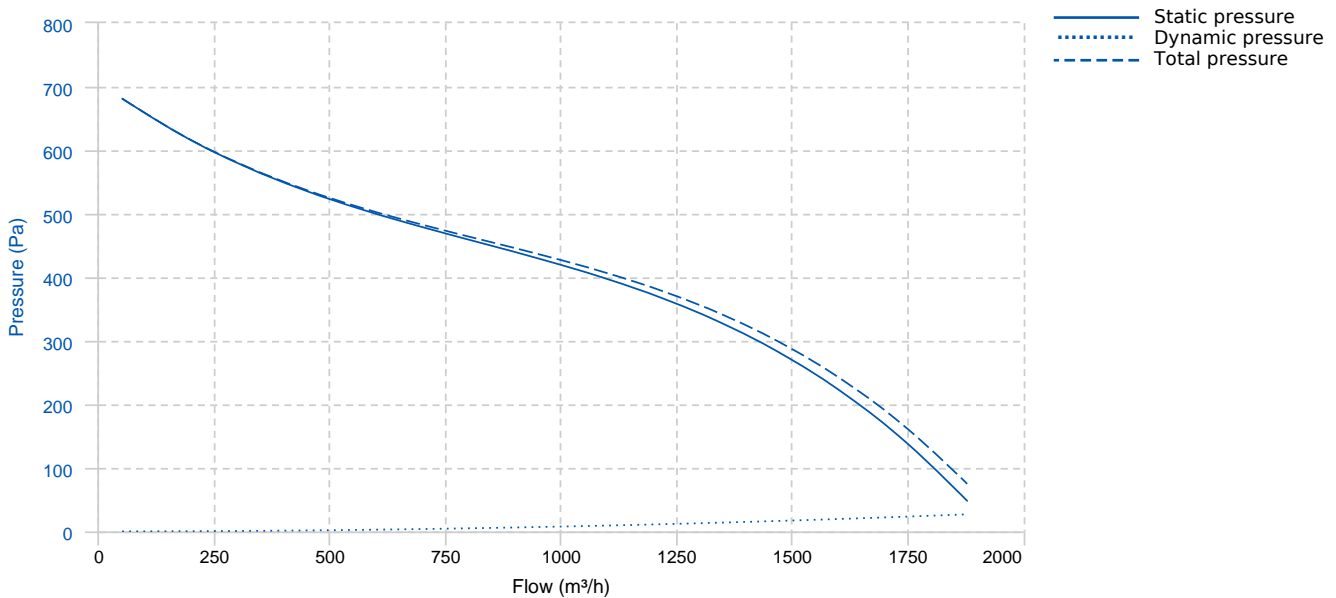
VERSIONS

BT ROOF 2 SB : Without flanges on the base

BT ROOF 2 SBP : With flanges on the base

*until stock lasts

PERFORMANCE CURVE



TECHNICAL DATA

Fan

RPM

-

Approx. weight

13.2 kg

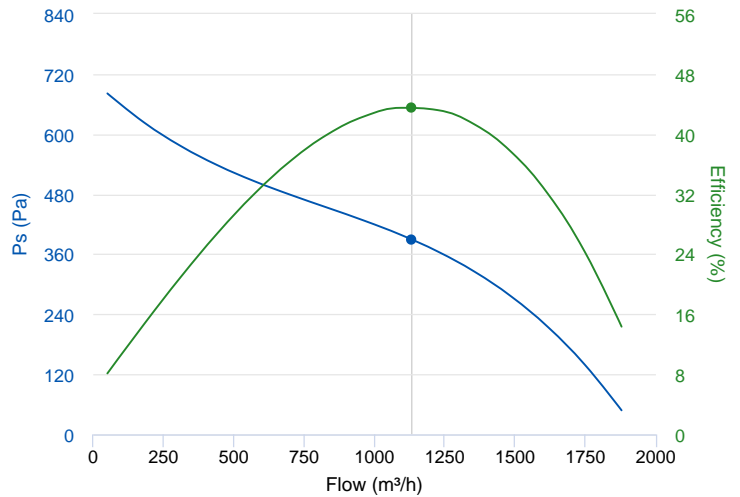
Max. Flow

1880 m³/h

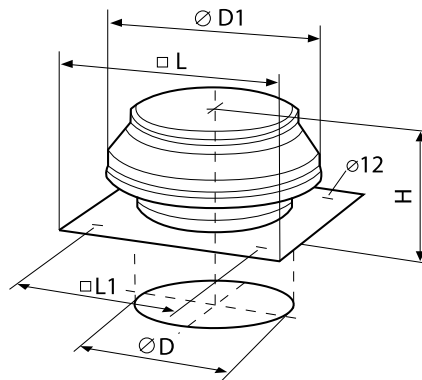
| Motor | | | |
|-------|---|---------------|--------|
| RPM | 0 | I max. (230V) | 1,34 A |

ERP DATA

| Fan data sheet | | |
|--------------------------|----------------------------------------------|-----------------------|
| Fan type | Unit for non-residential ventilation (LOT 6) | |
| Typology | Unidirectional | |
| reports.other | None | |
| Type of driver | None | |
| Motor power (kW) | | |
| | Fan values | ERP Requirements 2018 |
| Max. efficiency (%) | 43.56 | 34.44 |
| Effic. Heat recovery (%) | - | |
| Pabs (kW) | 0.296 | |
| Flow (m³/h) | 1133.43 | |
| Static pressure (Pa) | 389.24 | |
| Speed (m/s) | 4.04 | |
| SFP (W/m3/s) | 938.87 | |

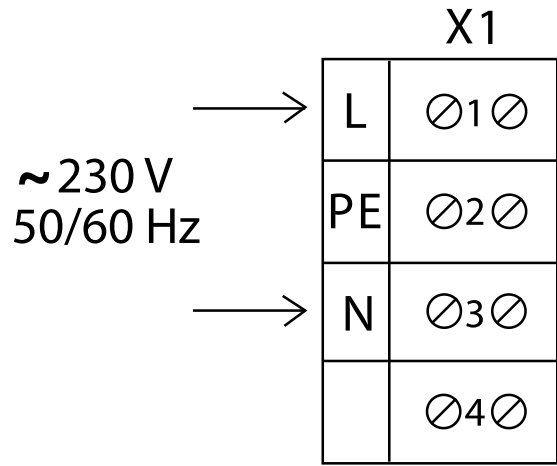


DIMENSIONS



| Dimensions (mm) | | | | | | | | | |
|-----------------|-----|---|-----|----|-----|----|-----|-----|-----|
| H | 269 | L | 590 | L1 | 450 | ØD | 315 | ØD1 | 500 |

WIRING DIAGRAM



ACCESSORIES



MANUAL SINGLE PHASE SPEED CONTROLLER
REG 1,5A
REF: 960710015



SAFETY SWITCH
INT 25 3P A
REF: INT253PA



CIRCULAR SOUND ATTENUATOR IN GALVANISED STEEL
SILC-MINI 315
REF: SILCM315



CONSTANT PRESSURE FAN CONTROL
REG FILTER
REF: REGFILT