

## AAVA 560/P T2 1,5kW (std) (502405619)

### GENERAL DATA



#### HIGH PRESSURE WITH BACKWARD IMPELLER

##### MANUFACTURING FEATURES:

- Fan made of Fe360 sheet. The fan paint finish is based on a Qualicoat polyester powder coating stoved at 200°C, with an average film thickness of 70 microns. Average heat resistance of coating is 180°C with peaks of 200°C.
- Fully welded housing.
- High efficiency simple inlet backward impeller with self-cleaning system made of Fe360 sheet statically and dynamically balanced. Impellers are painted with polyester primer that resists temperatures up to 300°C.
- Standard asynchronous squirrel-cage motor with IP-55 protection and class F insulation. Manufactured with standard voltages: 230/400V 50Hz in three phase motors up to 4kW and 400/690V 50Hz for higher powers.
- It allows adjusting the orientation locally from models 220 to 630. Models sizes from 710 to 1000 size the orientation is fixed.
- Available positions (to be indicated in case of order): LG270, LG0, LG45, LG90, LG135, LG180, LG225, LG315, RD0, RD45, RD90, RD135, RD180, RD225, RD270, RD315.
- The indicated codes correspond to the model in position LG270

##### APPLICATIONS:

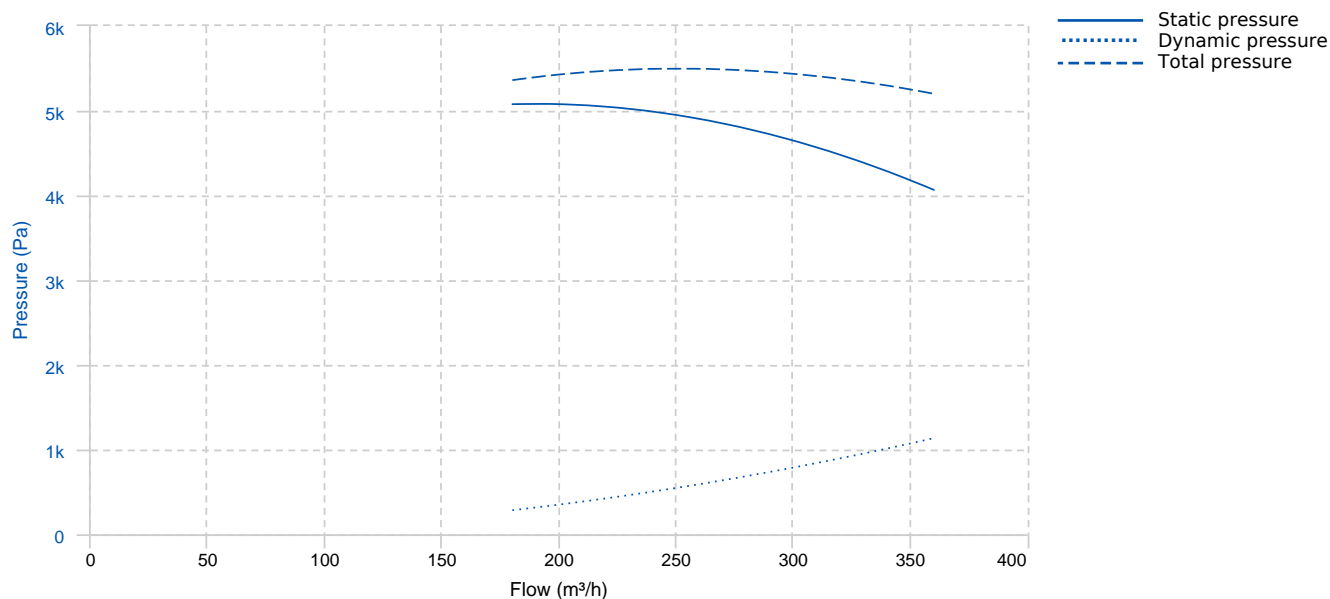
Designed for inline installation, they are suitable for:

- Industrial applications, extraction or injection of air.
- Cooling of machines and parts.
- Clean air transport.
- Exhaust after filters, separators and cyclones.
- Pneumatic transport.
- Maximum working temperature: carried air: 130°C, ambient: 60°C.

##### UNDER REQUEST

- Fans for 60Hz and special voltages.
- 2 speed motor.
- C4 coating painting
- Hot dip galvanized
- Special steel (Cor-Ten A, Hardox...)
- Inox 304 (normal or electropolished finish)
- Inox 316 (normal or electropolished finish)
- Cooling wheel
- Anticaloric paint
- Reinforced housing
- Fully welded housing (waterproof)
- Insulated housing
- Split casing (for big sizes)
- Inspection door to facilitate maintenance and cleaning
- Drain plug.
- Airtight axle
- Frontal foot
- Double suction flange
- Available in non-sparking air passage and standard motor.
- Other brands of motors.

## PERFORMANCE CURVE



## TECHNICAL DATA

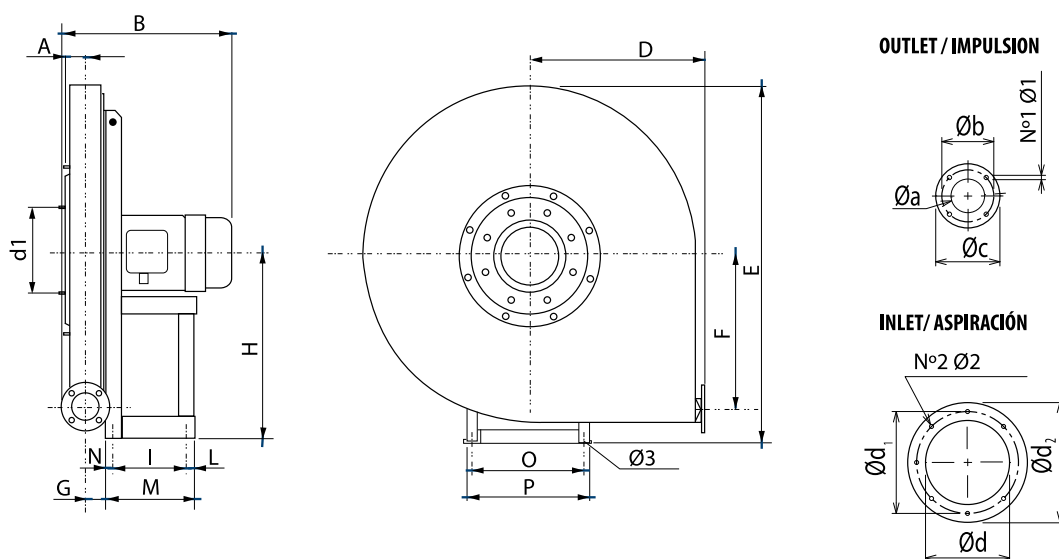
### Fan

RPM	2865	Approx. weight	89 kg	Max. Flow	370 m³/h
-----	------	----------------	-------	-----------	----------

### Motor

Power	1,5 kW	RPM	2865	I max. (230V)	5,83 A	I max. (400V)	3,14 A
Size	90L	Approx. weight	23.5 kg	Efficiency (%)	84.2 %	FP	0.83

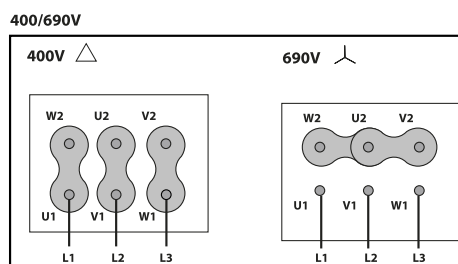
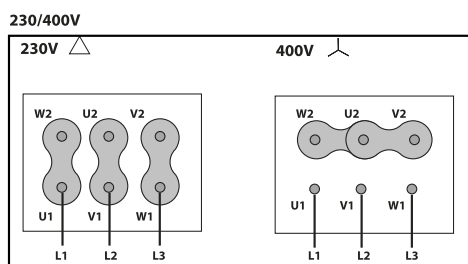
## DIMENSIONS



## Dimensions (mm)

A	34	B	380	D	405	E	830	F	355
G	32	H	425	I	133	L	58	M	246
N	55	N1xØ1	4x8,5	N2xØ2	Nº8 M6x20	O	246	P	260
Ø3	10	Øa	54	Øb	84	Øc	104	Ød	145
Ød1	182	Ød2	215						

## WIRING DIAGRAM



## ACCESSORIES



**SAFETY SWITCH**  
INT 25 3P A  
REF: INT253PA



**ANTI-VIBRATION JOINT**  
JE 45  
REF: 300719201



**INLET PROTECTION GUARD FOR CENTRIFUGAL FANS**  
RA 145x8  
REF: A-510001400



**CIRCULAR OUTLET CONNECTION FLANGE**  
EI 54x4-54  
REF: 510200500



**FREQUENCY SPEED CONTROLLER**  
SFC 230 I 7A \*  
REF: SFC230I007



**ANTI-VIBRATING FLANGE 400º/2H**  
BA-400 15/16  
REF: 960002067



**CONNECTION FLANGE**  
AC 150  
REF: 960003204



**OUTLET PROTECTION GUARD FOR FANS**  
RI 54x4  
REF: A-510100500



**FRONTAL FEET SUPORT**  
FS 560  
REF: \*GH-FS560



**FREQUENCY SPEED CONTROLLER**  
SFC 400 III 3,6A \*  
REF: SFC400III4



**ANTI-VIBRATION RUBBER BLOCK  
AVR (GENERIC)**

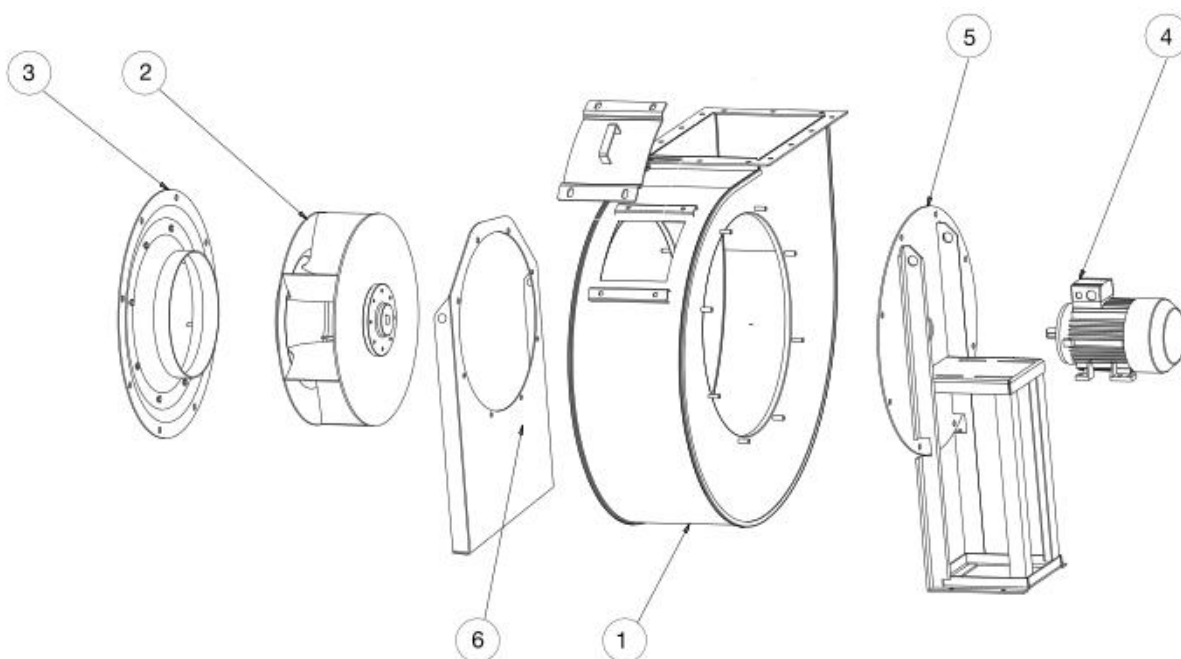


**ANTI-VIBRATION SPRING BLOCK  
AVS (GENERIC)**



**ACOUSTIC CABINS FOR CENTRIFUGAL FANS  
AB (GENERIC)**

## SPARE PARTS



	Code	Model	Qty
2	T02405619	TURBINE AAVA 560/P LG	x1
3	505605600SP04	INLET CONE AAVA-AATVA 560/P	x1
4	721001047	MOTOR 1,5KW T2 B5 230/400V	x1