

AC 350 (960003211)

GENERAL DATA



CONNECTION FLANGE

MANUFACTURING FEATURES

- For axial (inlet and outlet) and centrifugal (inlet) fans.

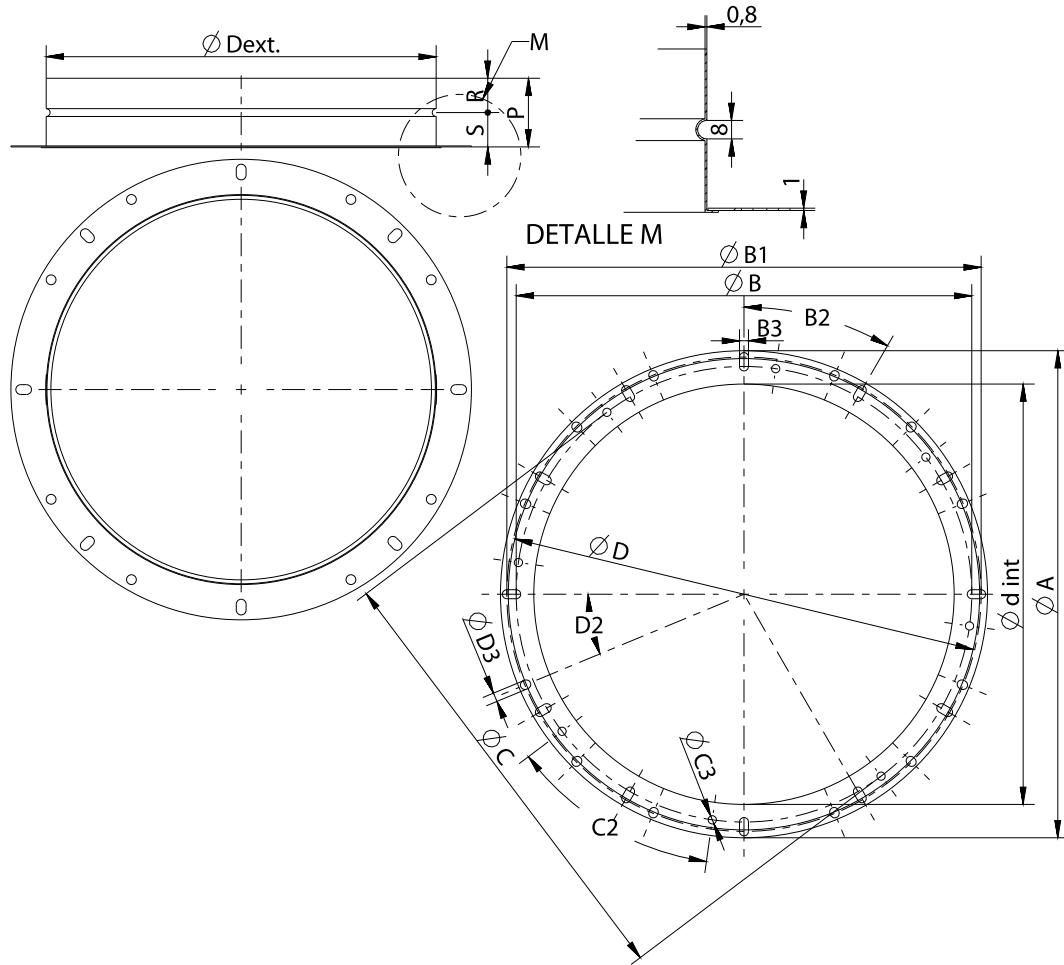
UNDER REQUEST

- Versions in stainless 304 and stainless 316.

TECHNICAL DATA

approx. weight 0.70 Kg

DIMENSIONS



Dimensions (mm)

A	420	B	394	B1	405	B2	8x45	B3	10
Dext	353	P	70	R=S	35	dint	354		