

BD 12/12 T6 1,1kW (251520160)

GENERAL DATA



FAN DOUBLE INLET

MANUFACTURING FEATURES:

- Galvanised steel sheet housing.
- Polyamide impeller reinforced with fibreglass in models 7/7, 9/9, 10/10 and 12/12. The impeller of the rest of models are made of galvanised steel sheet.
- Double inlet forward curved impeller in all models.
- Supplied with mounting feet (included in price). Except 15/15 which is a cubic model.
- Exclusive system Casals fixing motor and turbine fan by flexible arms silent blocks to avoid any vibration. Arms in compliance with ROHS regulations 2002/95 / EC (Restriction of Hazardous Substances in electrical and electronic equipment)
- Closed motors specially designed Casals: extruded aluminum housing, all protected inside the terminal box on the motor IP 65 protection and motor with IP54 protection and Class F insulation standard voltages: 230V 50Hz in single phase and 230/400V 50Hz three-phase.
- Single phase motors with controllable voltage speed. Three phase motors controllable using a frequency speed controller

APPLICATIONS:

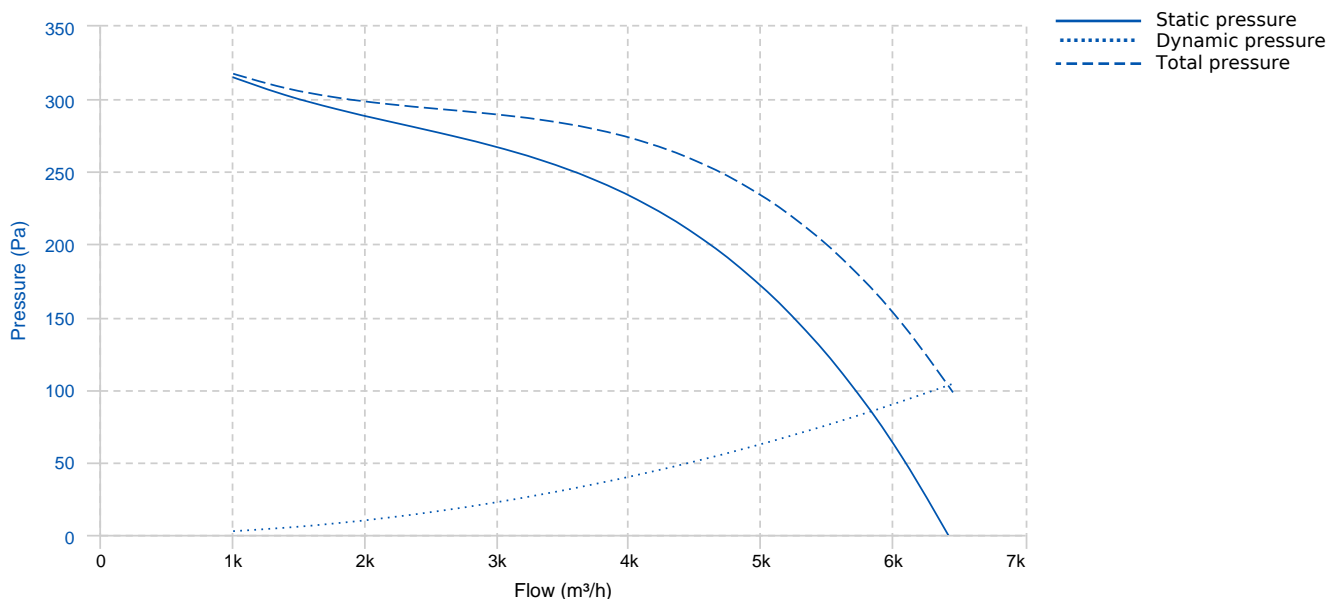
Designed for assembly in equipment:

- Ventilation boxes and air handling units.
- Centrifugal heaters.
- Industrial and professional kitchen hoods. Use in supply or extraction with prior fat filtering.
- Maximum working temperature: 50°C for single phase motors and 60°C for three phase motors.

UNDER REQUEST

- Impeller made of galvanized steel sheet.
- MBI assembled

PERFORMANCE CURVE

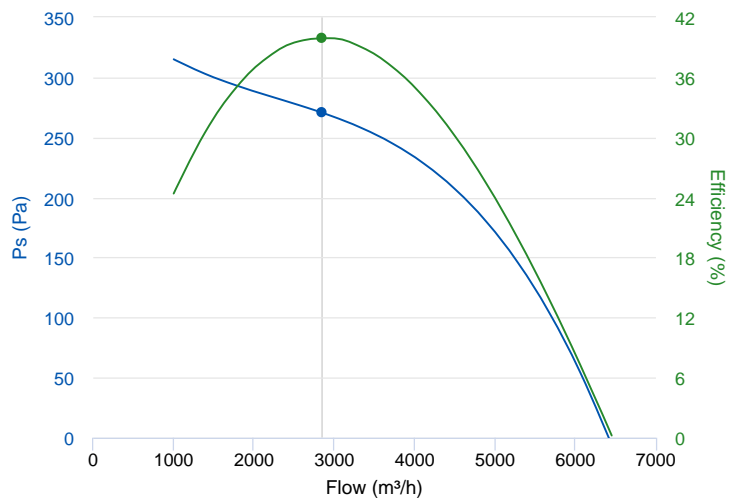


TECHNICAL DATA

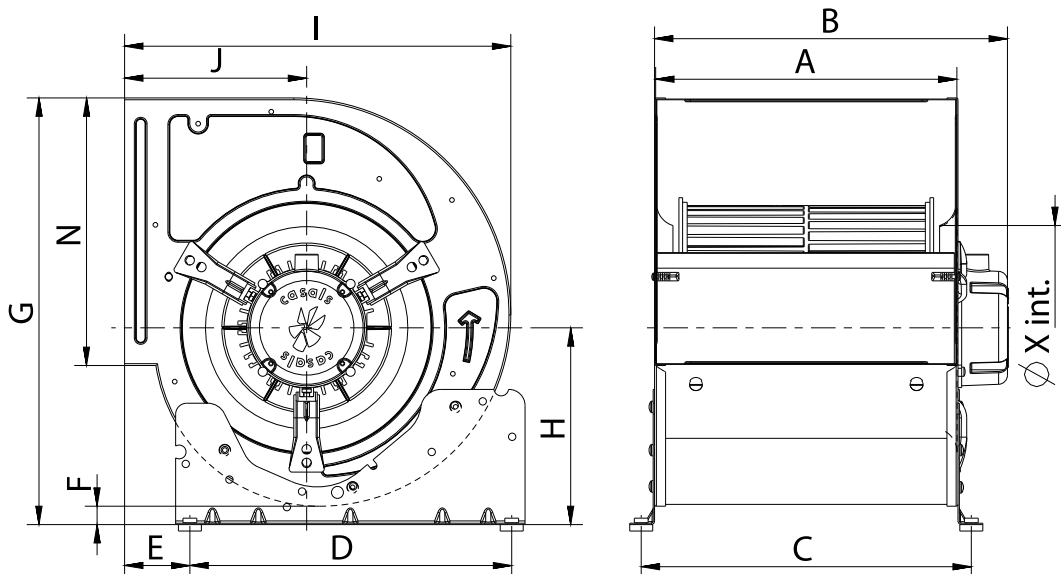
Fan							
RPM	945	Approx. weight	27 kg	Max. Flow	6450 m ³ /h		
Motor							
Power	1,1 kW	RPM	945	I max. (230V)	6,54 A	I max. (400V)	3,78 A
Size	STC90	Approx. weight	10.6 kg	Efficiency (%)	78.1 %	FP	0.71

ERP DATA

Fan data sheet		
Fan type	Centrifugal fan radial or forward blades	
Installation category	A: Outlet and Inlet free discharge	
Efficiency category	Static	
The fan has to be installed with VF	No	
Motor power (kW)	1.1	
	Fan values	ERP Requirements 2015
Max. efficiency (%)	39.95	36.09
Efficiency grade (N)	47.86	44
Pabs (kW)	0.562	
Flow (m ³ /h)	2847.69	
Static pressure (Pa)	270.65	
Speed (m/s)	945	
Specific ratio	1.00	



DIMENSIONS

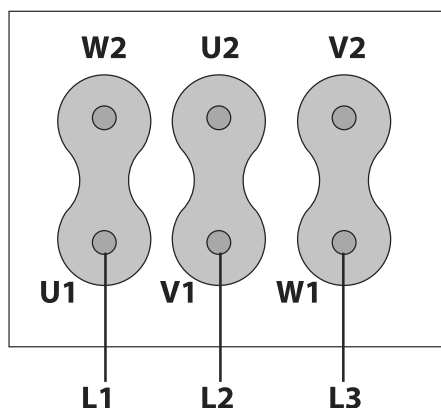


Dimensions (mm)

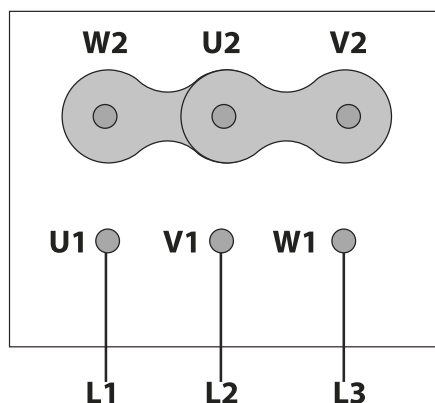
A	396	B m̀ax	437	C	425	D	350	E	77
F	17	G	536	H	244	I	490	J	230
N	343,5	X	260						

WIRING DIAGRAM

230V 



400V 



ACCESSORIES



SAFETY SWITCH
INT 25 3P A
REF: INT253PA



OUTLET PROTECTION GUARD FOR FANS
RI 12/12
REF: A-960000408



INLET PROTECTION GUARD FOR CENTRIFUGAL FANS
RA 12
REF: A-960670100



OUTLET FLANGE FOR BD AND BV FANS
MBI 12/12
REF: A-251521691



PROTECTION GRID FOR BD FANS, MOTOR SIDE
RM 12 (T90)
REF: A-960000805

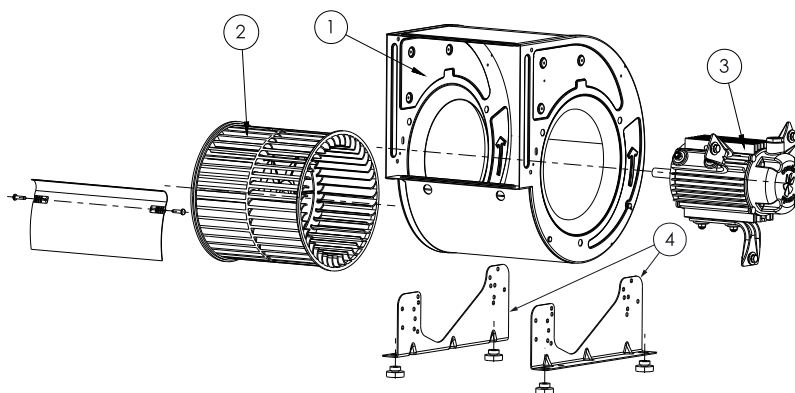


FREQUENCY SPEED CONTROLLER
SFC 230 I 7A *
REF: SFC230I007



FREQUENCY SPEED CONTROLLER
SFC 400 III 5A *
REF: SFC400III5

SPARE PARTS



	Code	Model	Qty
1	R-251529422	CASING BD12/12	x1
2	R-251529383	TURBINE PA6 BD12/12	x1
3	251529477	MOTOR+SUPPORTS BD33T6-1,5 M/C	x1
3	721081250	MOTOR BD T6 1,1kW 230/400V	x1
4	960530100	MOUNTING SUPPORT S 12	x1