

BOX BD FILTER 9/9 M6 0,13kW (PA6 Impeller) (251280351STC)

GENERAL DATA



CENTRIFUGAL IN SOUNDPROOF CABINET WITH FILTER

MANUFACTURING FEATURES:

- Impellers made of polyamide reinforced with fiberglass.
- BD range fans assembled in soundproof cabinets with thermo-acoustic insulation, Bs1d0 fire class on the supply panel.
- Fan assembled on antivibration mountings.
- Connection gland included.
- Casals exclusive design closed motors with extruded aluminum housing, which make the whole set of connections protected inside the terminal box integrated in the motor with IP-65 protection. Motor with IP-54 protection and class F insulation. Standard voltages 230V 50Hz for single phase motors and 230/400V 50Hz for three phase motors.
- Box with particle filter ISO Coarse \geq 60% (G4) integrated. Removable filter holder frame from both sides of the box for maintenance. Washable and replaceable filter media. Optimized air intake to maximize performance.

APPLICATIONS:

Designed for inline installation, indoor or outdoor assembly, they are suitable for:

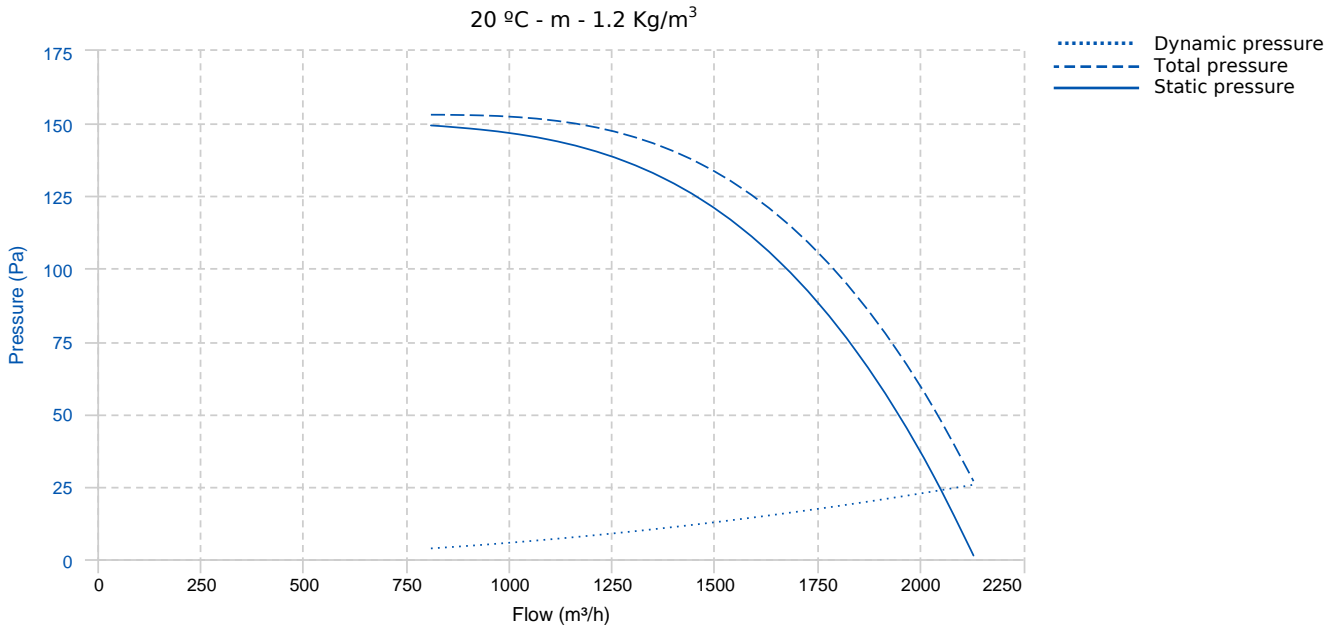
- Air renewal in buildings and industries.
- Industrial and professional kitchen hoods. Use in supply or extraction with prior fat filtering.
- Maximum working temperature: 50°C.

UNDER REQUEST:

- Impellers made of galvanised steel sheet.
- 3 speed fans.

(*) The data shown correspond to measurements made without the filters installed.

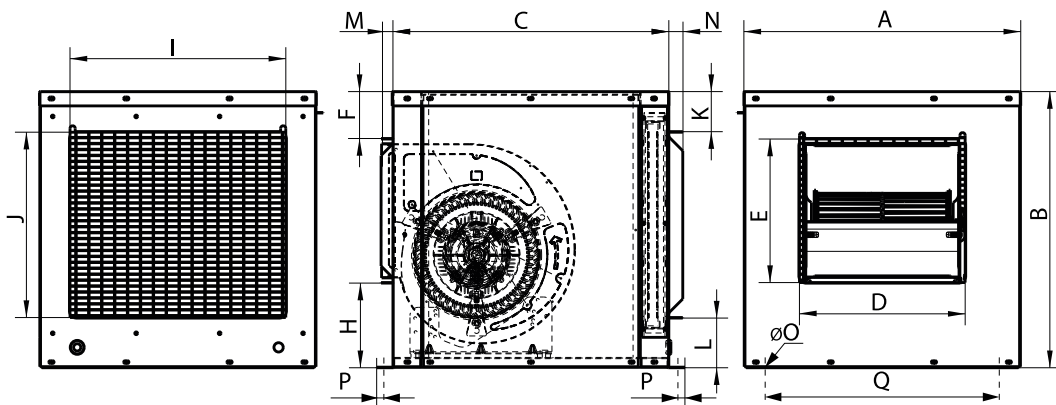
PERFORMANCE CURVE



TECHNICAL DATA

Fan							
RPM	940	Approx. weight	28 kg	Max. Flow	2130 m³/h		
Motor							
Power	0,13 kW	RPM	940	Capacitor	6µF 400V	I max. (230V)	1,3 A
Size	STC80	Approx. weight	4.7 kg	Efficiency (%)	66.8 %	FP	0.99

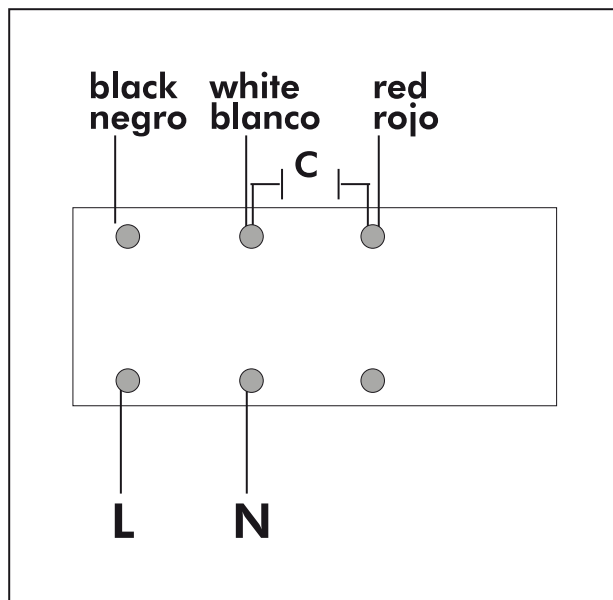
DIMENSIONS



Dimensions (mm)									
A	535	B	535	C	535	D	311	E	268
F	96	H	169	I	418	J	359	K	77
L	96	M	23	N	27	O	10	P	17
Q	478,5								

WIRING DIAGRAM

SINGLE PHASE MOTOR MOTOR MONOFÁSICO



ACCESSORIES



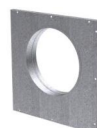
**REGULATOR DE TURATIE MONOFAZAT
REG 1,5A
REF: 960710015**



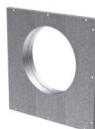
**GRILA GRAVITATIONALA DE EXTERIOR
PI 25/25 (9/9)
REF: 970250100**



**PANOU CUTIE PLENUM
TCA 7
REF: A-960001112**



**FLANSA CIRCULARA ASPIRATIE/REFULARE
TIAC 2 (OUT)
REF: 960001352**



**FLANSA CIRCULARA ASPIRATIE/REFULARE
TIAC 13 (IN)
REF: 960001363**



**PROTECTIE PLOAIE
VIS IN 9
REF: 960000052**



**ACCESORIU PENTRU RACORD LA TUBULATURA
BAC 2 (OUT 9/9)
REF: 960002952**



**ACCESORIU PENTRU RACORD LA TUBULATURA
BAC 13 (IN BOX BD/BV 9/9)
REF: 960002963**



**PROTECTIE PLOAIE
VIS OUT 9
REF: 96000050**



**CELL FILTER WITH GALVANIZED FRAME
FILT ISO Coarse \geq 60% (525x391x20) PREFILTRO
MARCO CHAPA
REF: FILTG04016**