

BOX BD PLUS 10/10 M4 0,59kW (251320450)

GENERAL DATA

CENTRIFUGAL FAN IN SOUNDPROOF BOX WITH SANDWICH PANELS



MANUFACTURING FEATURES

- Impellers made of polyamide reinforced with fibreglass.
- BD range fans assembled in soundproof cabinets.
- Ventilation box with 30 mm aluminum profile structure, nylon corners, galvanized sandwich panels with internal insulation rockwool (25mm thickness) class A1 (non-combustible) of 90kg/m³ density. All panels are equipped with "fastening system" for the quick assembly and disassembly whenever required, either for cleaning, maintenance or exchanging of panels.
- Connection gland included.
- Easy access through lateral panel.
- Fan can be placed in any position by exchanging panels.
- Closed motors specially designed by Casals. Extruded aluminium motor housing. Totally enclosed terminal box on the motor IP 65 protection and motor with IP54 protection and Class F insulation. Standard voltages 230V 50Hz for single phase and 230/400V 50Hz for three phase motors.

APPLICATIONS

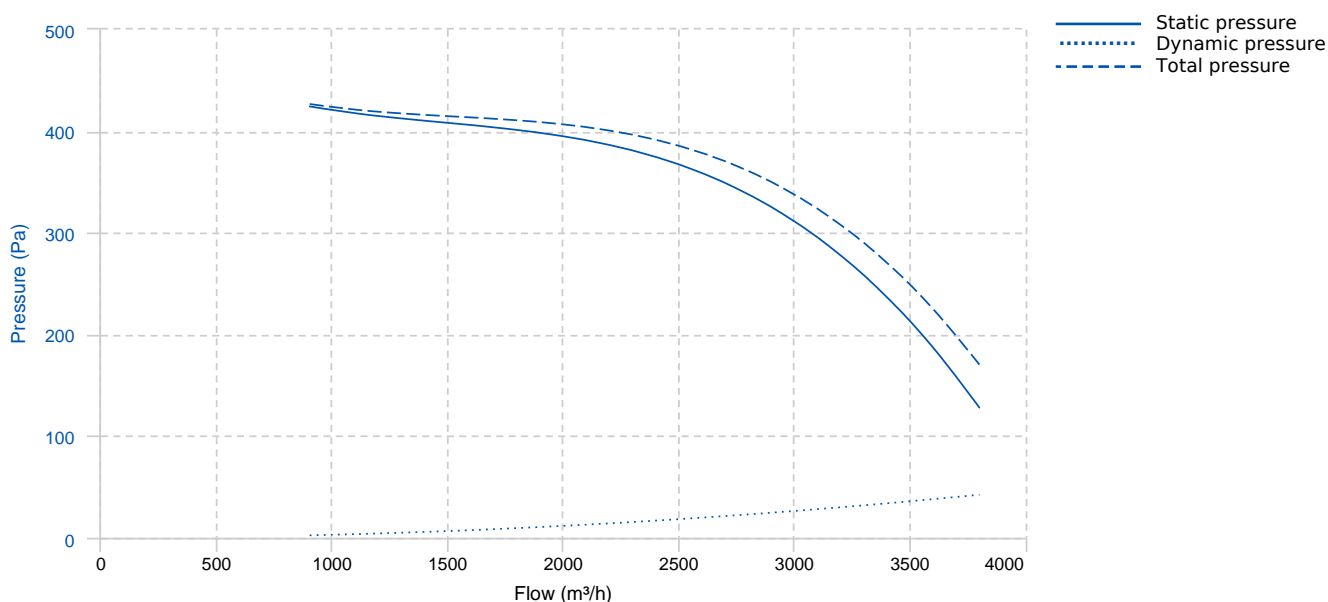
Designed for inline installation, indoor or outdoor assembly, they are suitable for:

- Air renewal in buildings and industries.
- Maximum working temperature: 50°C.

UNDER REQUEST

- 3 speed fans.
- Impeller made of galvanized sheet.
- Rectangular outlet flange.

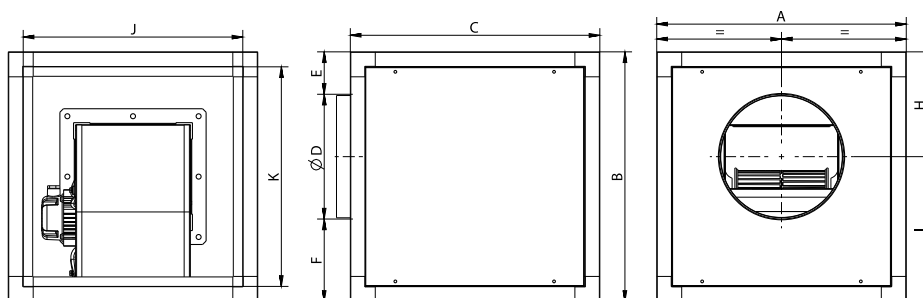
PERFORMANCE CURVE



TECHNICAL DATA

Fan							
RPM	1340	Approx. weight	42 kg	Max. Flow	3810 m ³ /h		
Motor							
Power	0,59 kW	RPM	1340	Capacitor	28μF 400V	I max. (230V)	4,5 A
Size	STC80	Approx. weight	7.7 kg	Efficiency (%)	68 %	FP	0.96

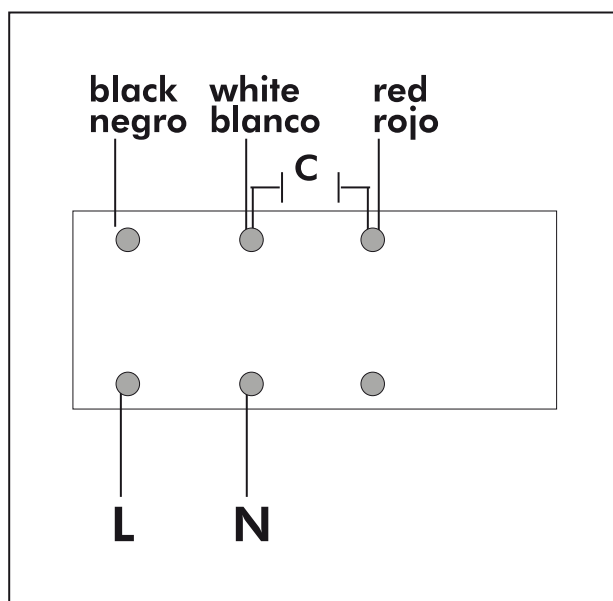
DIMENSIONS



Dimensions (mm)									
A	600	B	600	C	600	D	400	E	50
F	150	H	250	I	350	J	540	K	540

WIRING DIAGRAM

SINGLE PHASE MOTOR MOTOR MONOFÁSICO



ACCESSORIES



MANUAL SINGLE PHASE SPEED CONTROLLER
REG 5A
REF: 960710050



SAFETY SWITCH
INT 25 3P A
REF: INT253PA



WEATHER PROTECTIVE ROOF FOR VENTILATION BOXES
TEJ BOX BD PLUS 10/10
REF: 251371012



EXTERNAL BOX FILTER
BOX FILTER 600x600x300
REF: 251378471



CELL FILTER WITH GALVANIZED FRAME
FILT ISO Coarse \geq 60% (538x490x48) PREFILTRO
MARCO CHAPA
REF: FILTG04017



HIGH EFFICIENCY, RIGID AND COMPACT FILTER
FILT ePM1 \geq 50% (538x490x48) ALTA EFIC. PANEL
MINIPLGADO
REF: FILTF07028



HIGH EFFICIENCY, RIGID AND COMPACT FILTER
FILT ePM1 \geq 80% (538x490x48) ALTA EFIC. PANEL
MINIPLGADO
REF: FILTF09026

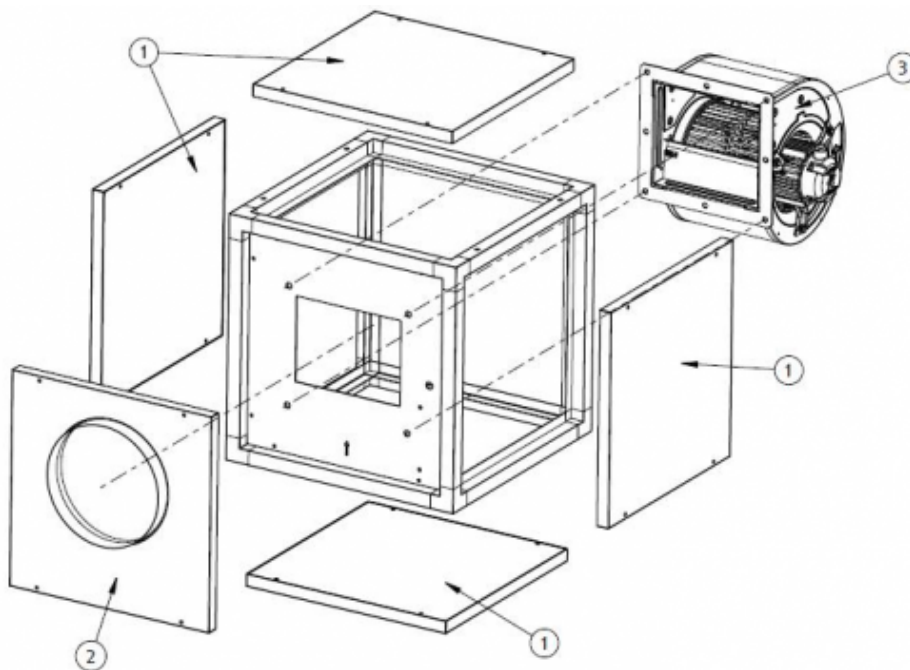


INLET/OUTLET ROUND COVER
TIAC BOX BD/BV PLUS 10/10 (Ø400)
REF: 251371932R



CIRCULAR OUTDOOR FLANGE WITH BIRD GUARD
VISC Ø400
REF: FX0045452

SPARE PARTS



	Code	Model	Qty
1	R-251371931R	PANNEL BOX BD-BV PLUS 10/10	x4
2	R-251378901R	CIRCULAR CONNECTION BOX BD PLUS 10/10 (Ø400)	x1



	Code	Model	Qty
3	251320260A002	FAN BD 10/10 M4 0,59kW+MBI	x1