

BOX BD PLUS 12/12 M6 0,76kW (251520451)

GENERAL DATA



CENTRIFUGAL FAN IN SOUNDPROOF BOX WITH SANDWICH PANELS

MANUFACTURING FEATURES

- Impellers made of polyamide reinforced with fibreglass.
- BD range fans assembled in soundproof cabinets.
- Ventilation box with 30 mm aluminum profile structure, nylon corners, galvanized sandwich panels with internal insulation rockwool (25mm thickness) class A1 (non-combustible) of 90kg/m³ density. All panels are equipped with "fastening system" for the quick assembly and disassembly whenever required, either for cleaning, maintenance or exchanging of panels.
- Connection gland included.
- Easy access through lateral panel.
- Fan can be placed in any position by exchanging panels.
- Closed motors specially designed by Casals. Extruded aluminium motor housing. Totally enclosed terminal box on the motor IP 65 protection and motor with IP54 protection and Class F insulation. Standard voltages 230V 50Hz for single phase and 230/400V 50Hz for three phase motors.

APPLICATIONS

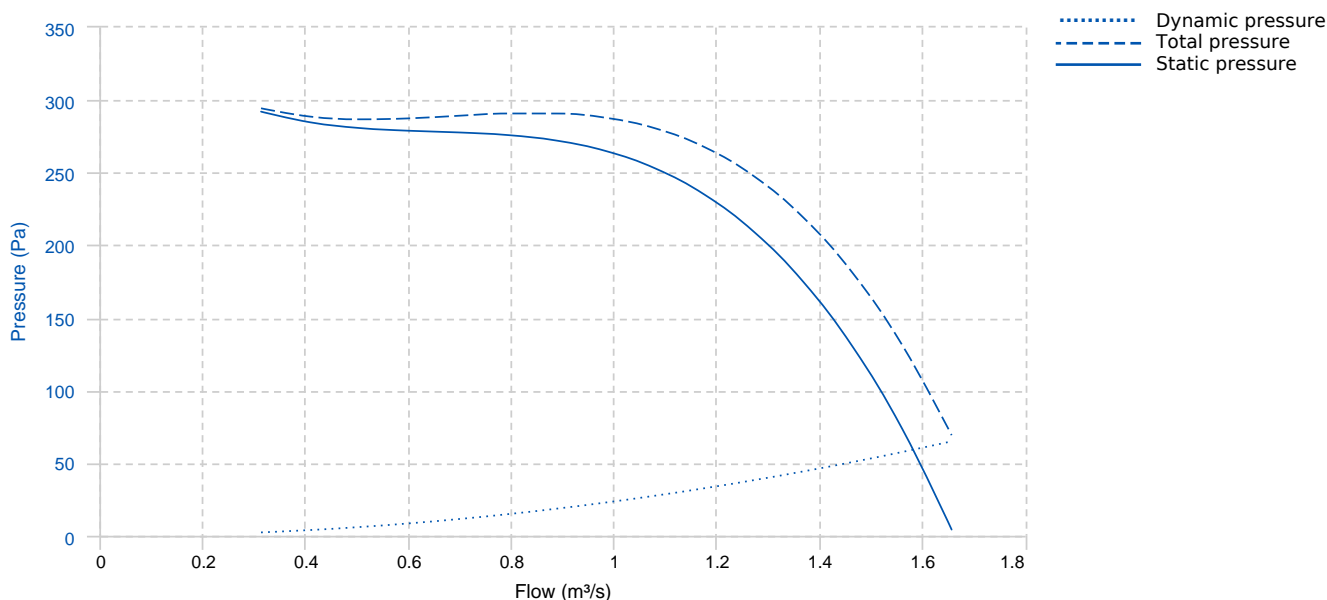
Designed for inline installation, indoor or outdoor assembly, they are suitable for:

- Air renewal in buildings and industries.
- Maximum working temperature: 50°C.

UNDER REQUEST

- 3 speed fans.
- Impeller made of galvanized sheet.
- Rectangular outlet flange.

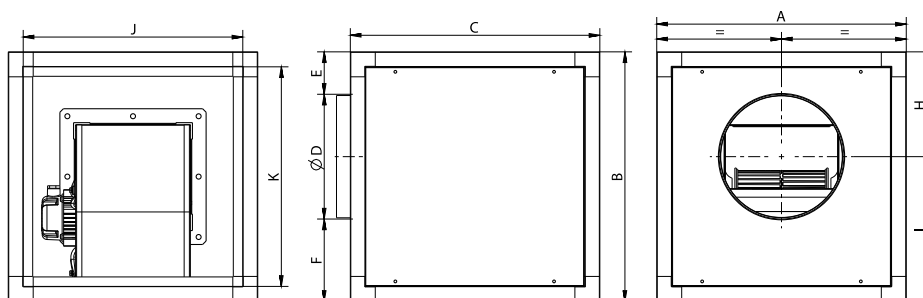
PERFORMANCE CURVE



TECHNICAL DATA

Fan							
RPM	950	Approx. weight	54 kg	Max. Flow	1.66 m ³ /s		
Motor							
Power	0,76 kW	RPM	950	Capacitor	30μF 400V	I max. (230V)	6,7 A
Size	STC90	Approx. weight	11.15 kg	Efficiency (%)	70 %	FP	0.96

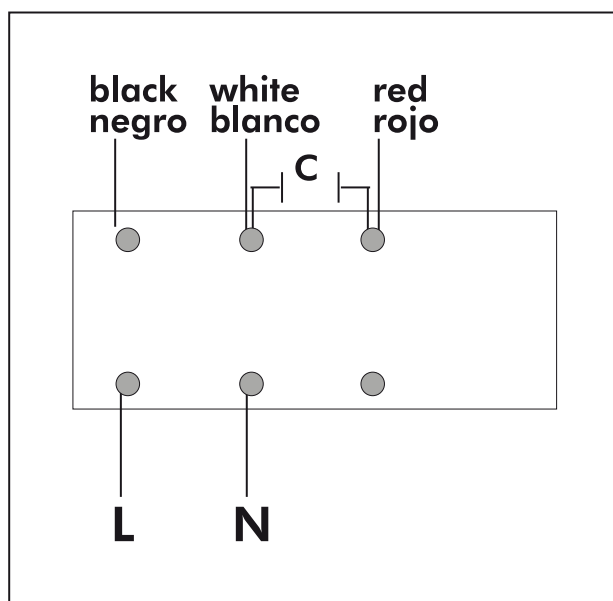
DIMENSIONS



Dimensions (mm)									
A	700	B	700	C	700	D	450	E	80
F	170	H	305	I	395	J	640	K	640

WIRING DIAGRAM

SINGLE PHASE MOTOR MOTOR MONOFÁSICO



ACCESSORIES



MANUAL SINGLE PHASE SPEED CONTROLLER
REG 10A
REF: 960710100



SAFETY SWITCH
INT 25 3P A
REF: INT253PA



WEATHER PROTECTIVE ROOF FOR VENTILATION BOXES
TEJ BOX BD PLUS 12/12
REF: A-251521012



EXTERNAL BOX FILTER
BOX FILTER 700x700x300
REF: 251528471



CELL FILTER WITH GALVANIZED FRAME
FILT ISO Coarse \geq 60% (638x590x48) PREFILTRO
MARCO CHAPA
REF: FILTG04019



HIGH EFFICIENCY, RIGID AND COMPACT FILTER
FILT ePM1 \geq 50% (638x590x48) ALTA EFIC. PANEL
MINIPLGADO
REF: FILTF07030



HIGH EFFICIENCY, RIGID AND COMPACT FILTER
FILT ePM1 \geq 80% (638x590x48) ALTA EFIC. PANEL
MINIPLGADO
REF: FILTF09027

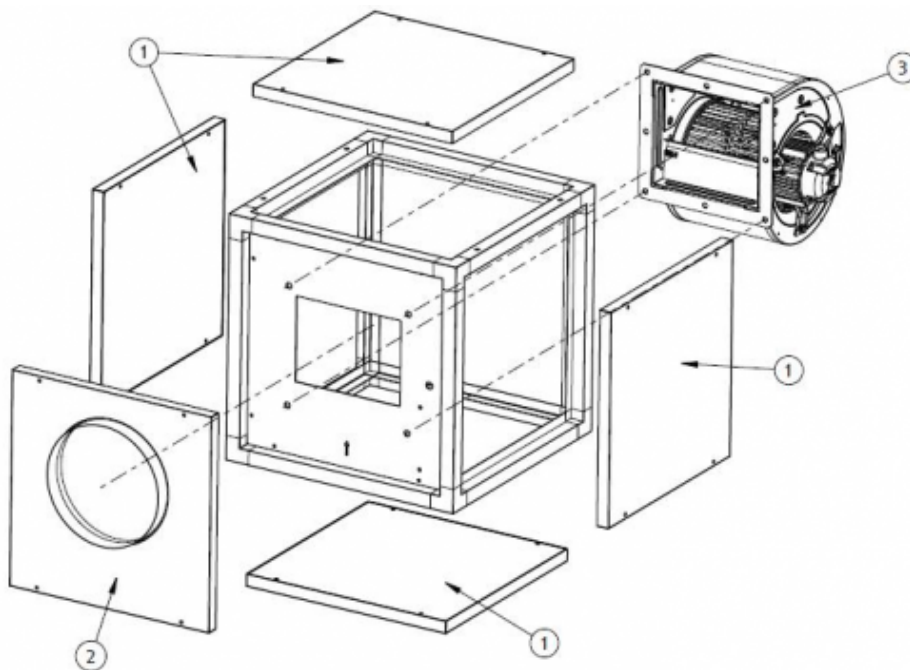


INLET/OUTLET ROUND COVER
TIAC BOX BD/BV PLUS 12/12 (Ø450)
REF: A-251521932R



CIRCULAR OUTDOOR FLANGE WITH BIRD GUARD
VISC Ø450
REF: FX0050067

SPARE PARTS



	Code	Model	Qty
1	R-251521931R	PANNEL BOX BD-BV PLUS 12/12	x4
2	R-251528901R	CIRCULAR CONNECTION BOX BD PLUS 12/12 (Ø450)	x1



	Code	Model	Qty
3	251520261A002	FAN BD 12/12 M6 0,76kW+MBI	x1