

## BOX RLF 400 T4 0,75kW (241390186)

### GENERAL DATA



#### BACKWARD CURVED CENTRIFUGAL FAN IN SOUNDPROOF CABINET 400°C/2H

##### MANUFACTURING FEATURES

- Box manufactured in galvanised steel sheet.
- Circular inlet flange.
- Backward impeller with self-cleaning system, direct coupling motor.
- Standard asynchronous squirrel-cage motor with IP-55 protection and Class H insulation type 400°C/2h .
- Manufactured with standard voltages: 400V(Y) 50Hz in three phase motors up to 3kW and 400V(D) 50Hz for higher powers and 400V for 2 speed motors.
- Exchangeable pannels
- Open drive.

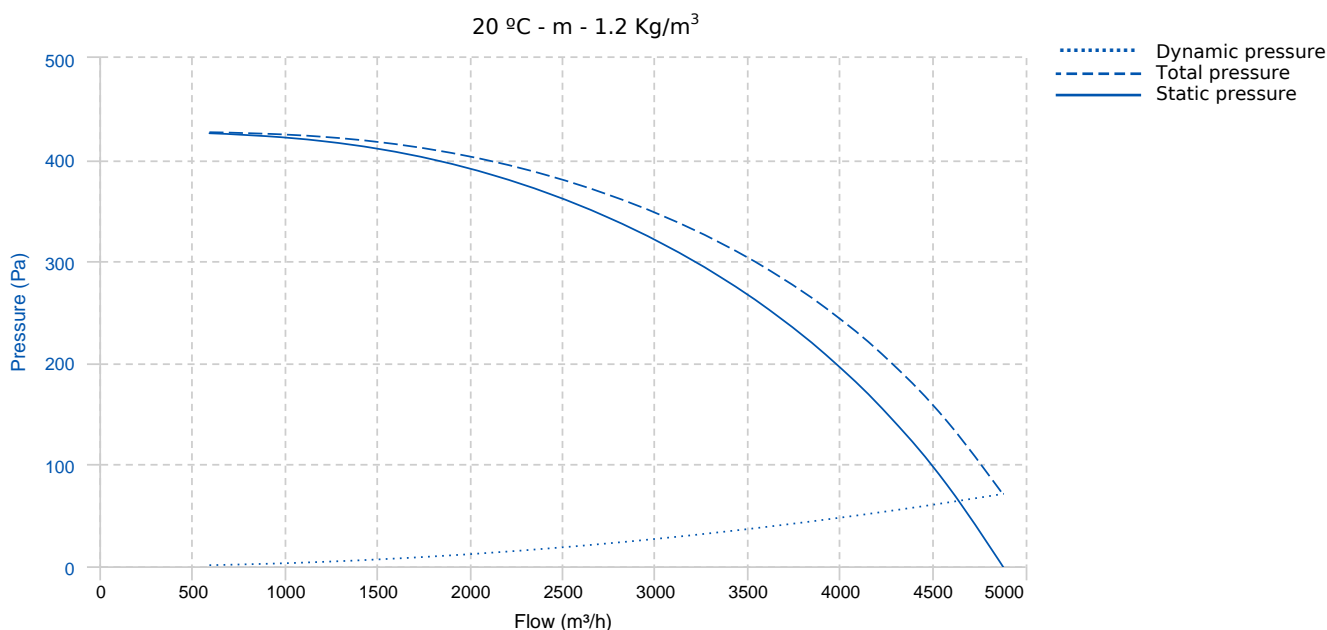
##### APPLICATIONS

Designed for inline installation, they are suitable for:

- Air renewal in buildings and industries.
- Maximum working temperature: 60°C.
- Removing smoke in case of fire. The motor inside the hazardous area (400 ° C / 2 h)

Official homologation by the European laboratory APPLUS according to EN 12101-3:2015  
Certification Nr: 0370-CPR-0582

### PERFORMANCE CURVE

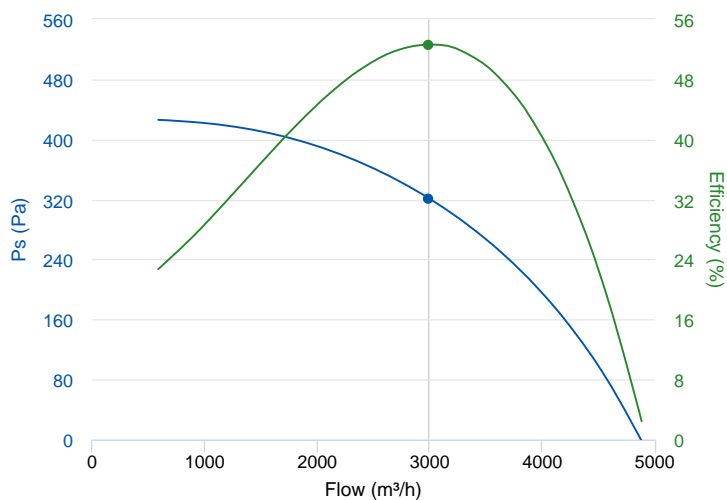


### TECHNICAL DATA

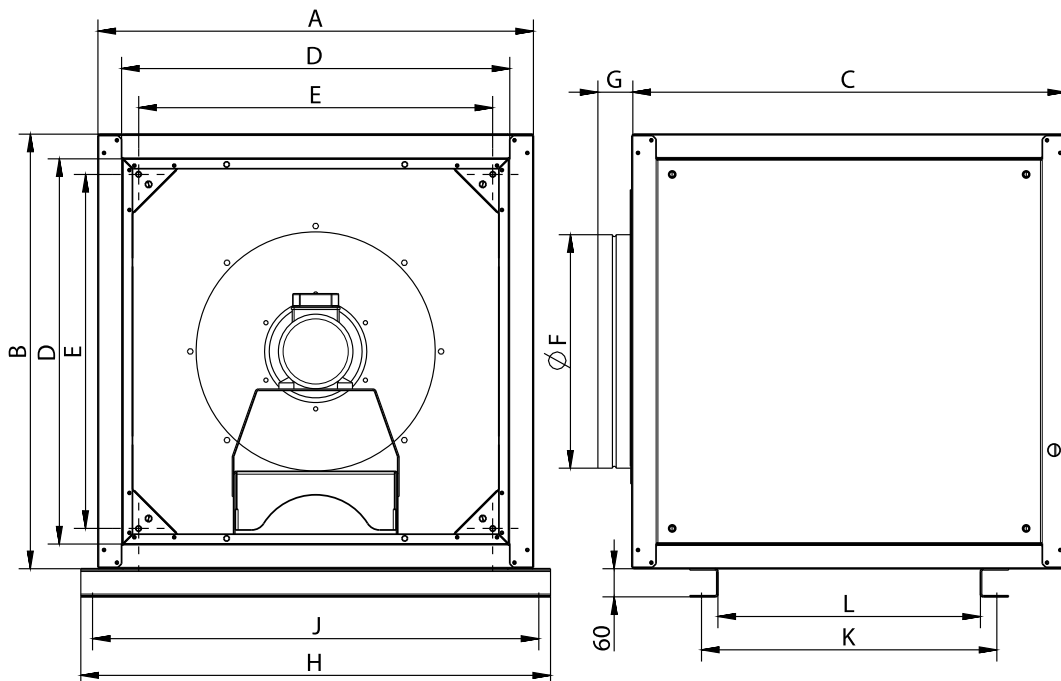
Fan							
RPM	1440	Approx. weight	115 kg	Max. Flow	4890 m³/h		
Motor							
Power	0,75 kW	RPM	1440	I max. (230V)	'3,1 A	I max. (400V)	'1,75 A
Size	80	Approx. weight	20 kg	Efficiency (%)	82.5 %	FP	0.75

## ERP DATA

Fan data sheet		
Fan type	Unit for non-residential ventilation (LOT 6)	
Typology	Unidirectional	
reports.other	None	
Type of driver	None	
Motor power (kW)	0.75	
	Fan values	ERP Requirements 2018
Max. efficiency (%)	52.63	38.12
Effic. Heat recovery (%)	-	
Pabs (kW)	0.535	
Flow (m³/h)	2994.39	
Static pressure (Pa)	321.25	
Speed (m/s)	6.69	
SFP (W/m3/s)	642.97	



## DIMENSIONS

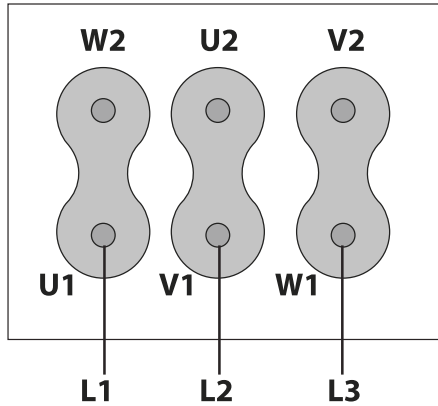


### Dimensions (mm)

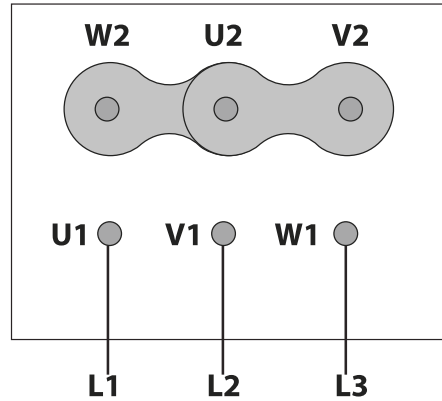
A	800	B	800	C	800	D	696	E	628,5
G	74	H	1002	J	952	K	628,5	L	558,5
ØF	398								

**WIRING DIAGRAM**

230V 



400V 



**ACCESSORIES**



**SAFETY SWITCH**  
INT 25 3P A  
REF: INT253PA



**ANTI-VIBRATING FLANGE 400<sup>2</sup>/2H**  
BA-400 40  
REF: 960002054



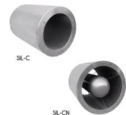
**ANTI-VIBRATION JOINT**  
JE 45  
REF: A-300719201



**INLET/OUTLET ROUND COVER**  
TIAC 40  
REF: 960001940



**CIRCULAR SILENCER**  
SIL-C 400/400  
REF: 960040040



**CIRCULAR SILENCER**  
SIL-C 400/600  
REF: 960040060



**CIRCULAR SILENCER**  
SIL-C 400/800  
REF: 960040080



**CIRCULAR SILENCER**  
SIL-CN 400/400  
REF: 961040040



**CIRCULAR SILENCER**  
SIL-CN 400/600  
REF: 961040060



**CIRCULAR SILENCER**  
SIL-CN 400/800  
REF: 961040080

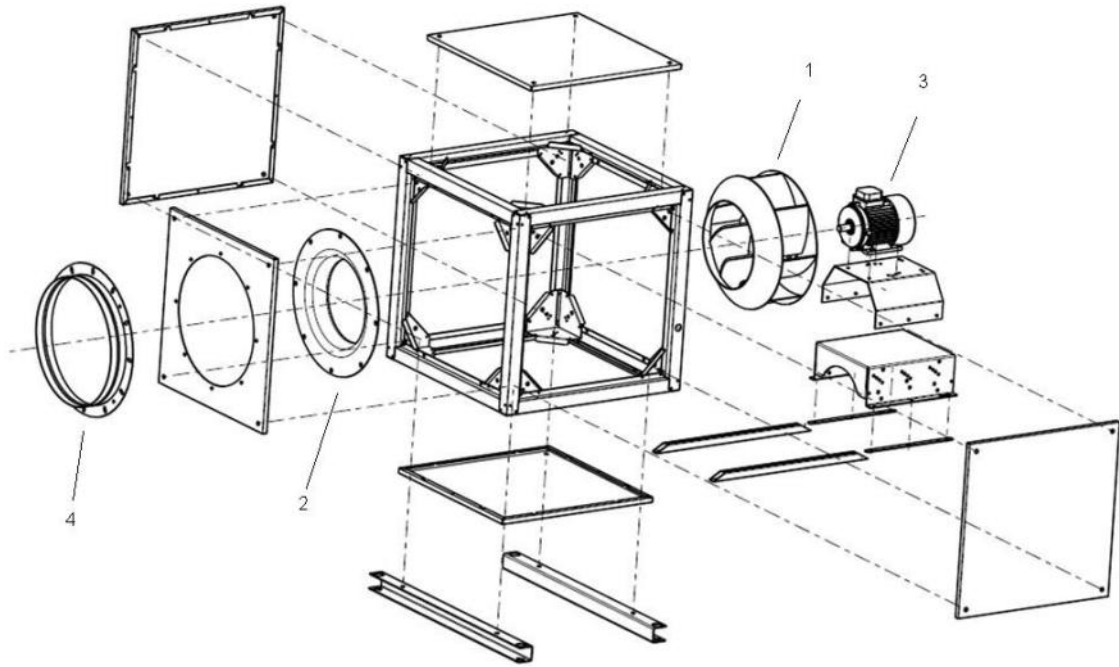


**SAFETY SWITCH FOR 400°C/2h**  
**INT 400 25A 3P**  
**REF: 508902501**



**FREQUENCY SPEED CONTROLLER**  
**SFC 400 III 2,2A \***  
**REF: SFC400III2**

## SPARE PARTS



	Code	Model	Qty
3	721881144	MOTOR 0,75KW T4 B3 400G	x1
4	960003212	FLANGE AC-400	x1