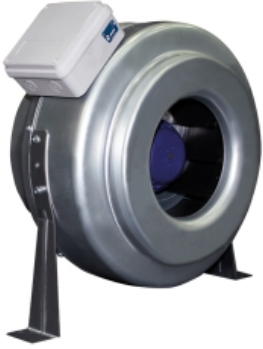


## BT-3 125 (509812500)

### GENERAL DATA



#### CENTRIFUGAL IN LINE WITH EXTERNAL ROTOR MOTOR

##### MANUFACTURING FEATURES:

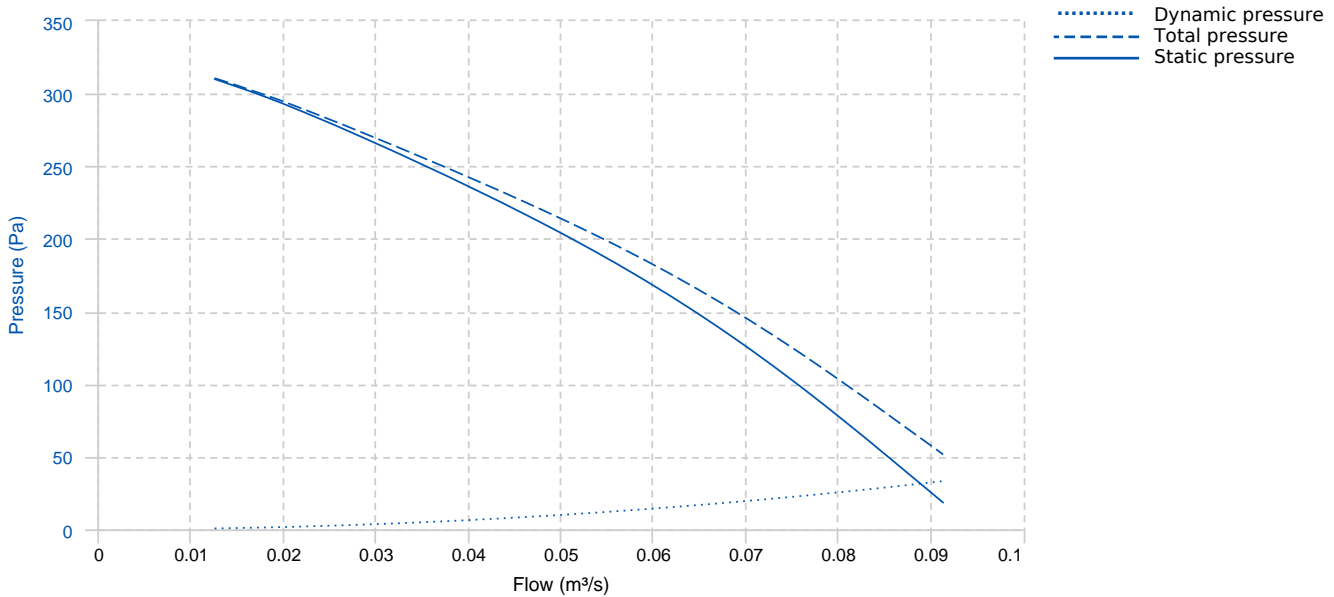
- Housing in galvanized sheet.
- Backward impeller dynamically balanced.
- External connection box.
- Single-phase asynchronous motor with external rotor, including thermal protector for automatic resetting and long-life permanent lubrication ball bearings (40,000 hours). Protection IP-44. Standard voltage 230V 50/60Hz (except 315 size which has different motor at 50Hz than 60Hz)
- Supplied with support feet (optional mounting)

##### APPLICATIONS:

Designed for duct installation, suitable for false ceiling, are indicated for:

- Renovation of air in bathrooms and small rooms.
- Maximum continuous working temperature: 50°C.
- Fan not suitable for transporting explosive gases.

### PERFORMANCE CURVE



### TECHNICAL DATA

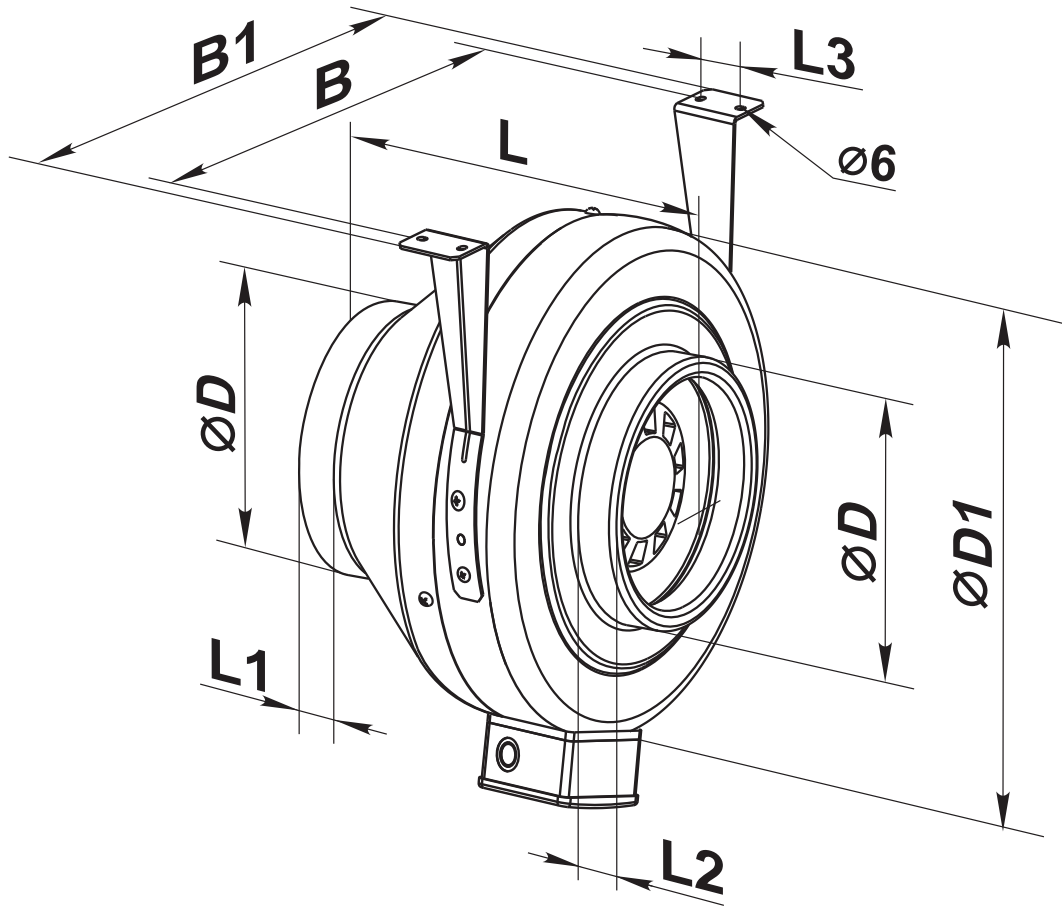
#### Fan

RPM	2820	Approx. weight	2.7 kg	Max. Flow	0.09 m³/s
-----	------	----------------	--------	-----------	-----------

#### Motor

Power	0,078 kW	RPM	2820	I max. (230V)	0,34 A
-------	----------	-----	------	---------------	--------

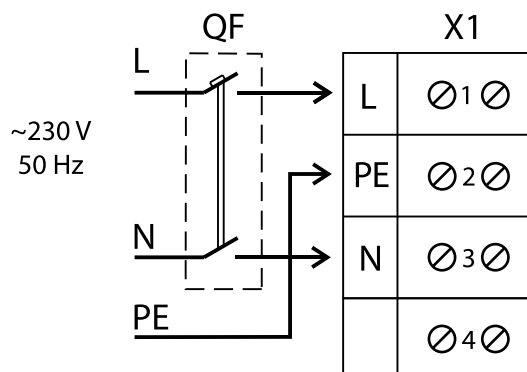
**DIMENSIONS**



Dimensions (mm)

B	253	B1	293	L	202	L1	23	L2	22
L3	30	ØD	123	ØD1	237				

## WIRING DIAGRAM



## ACCESSORIES



**MANUAL SINGLE PHASE SPEED CONTROLLER  
REG 1,5A  
REF: 960710015**



**SAFETY SWITCH  
INT 25 3P A  
REF: INT253PA**



**ANTI-VIBRATION JOINT  
JE 45  
REF: A-300719201**



**MANUAL SINGLE PHASE SPEED CONTROLLER  
REGD-1  
REF: 300782600**



**CIRCULAR SOUND ATTENUATOR IN GALVANISED  
STEEL  
SILC-MINI 125  
REF: SILCM125**