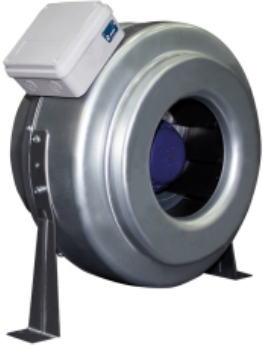


BT-3 150 (509815000)

GENERAL DATA



CENTRIFUGAL IN LINE WITH EXTERNAL ROTOR MOTOR

MANUFACTURING FEATURES:

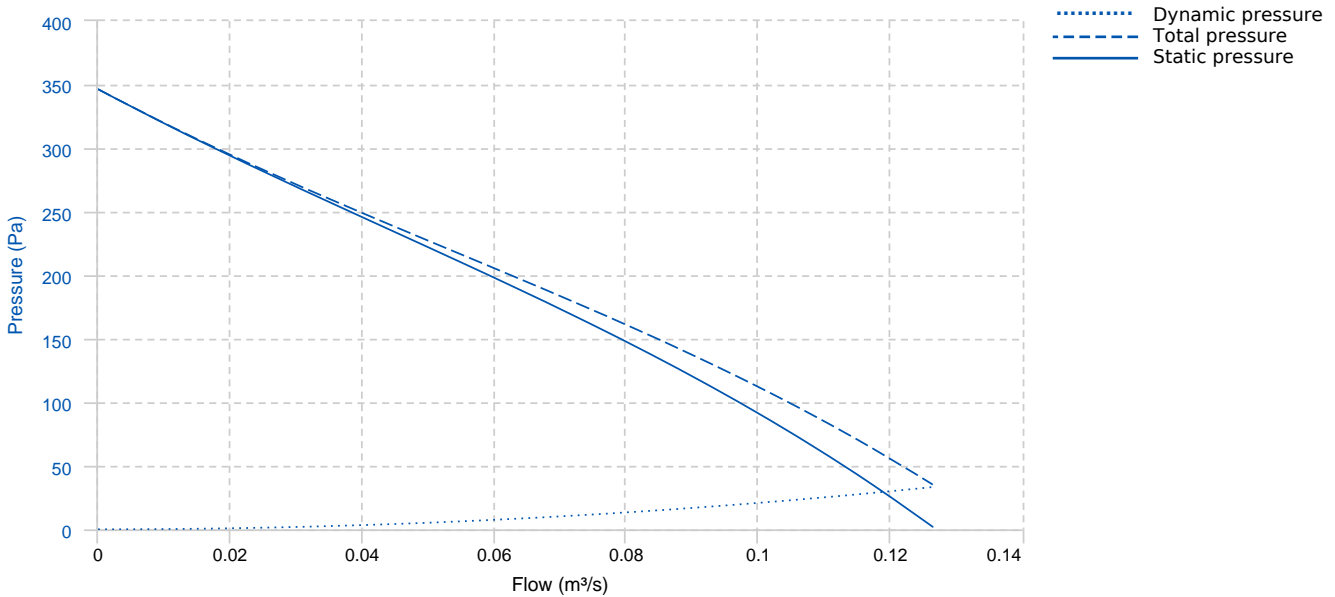
- Housing in galvanized sheet.
- Backward impeller dynamically balanced.
- External connection box.
- Single-phase asynchronous motor with external rotor, including thermal protector for automatic resetting and long-life permanent lubrication ball bearings (40,000 hours). Protection IP-44. Standard voltage 230V 50/60Hz (except 315 size which has different motor at 50Hz than 60Hz)
- Supplied with support feet (optional mounting)

APPLICATIONS:

Designed for duct installation, suitable for false ceiling, are indicated for:

- Renovation of air in bathrooms and small rooms.
- Maximum continuous working temperature: 50°C.
- Fan not suitable for transporting explosive gases.

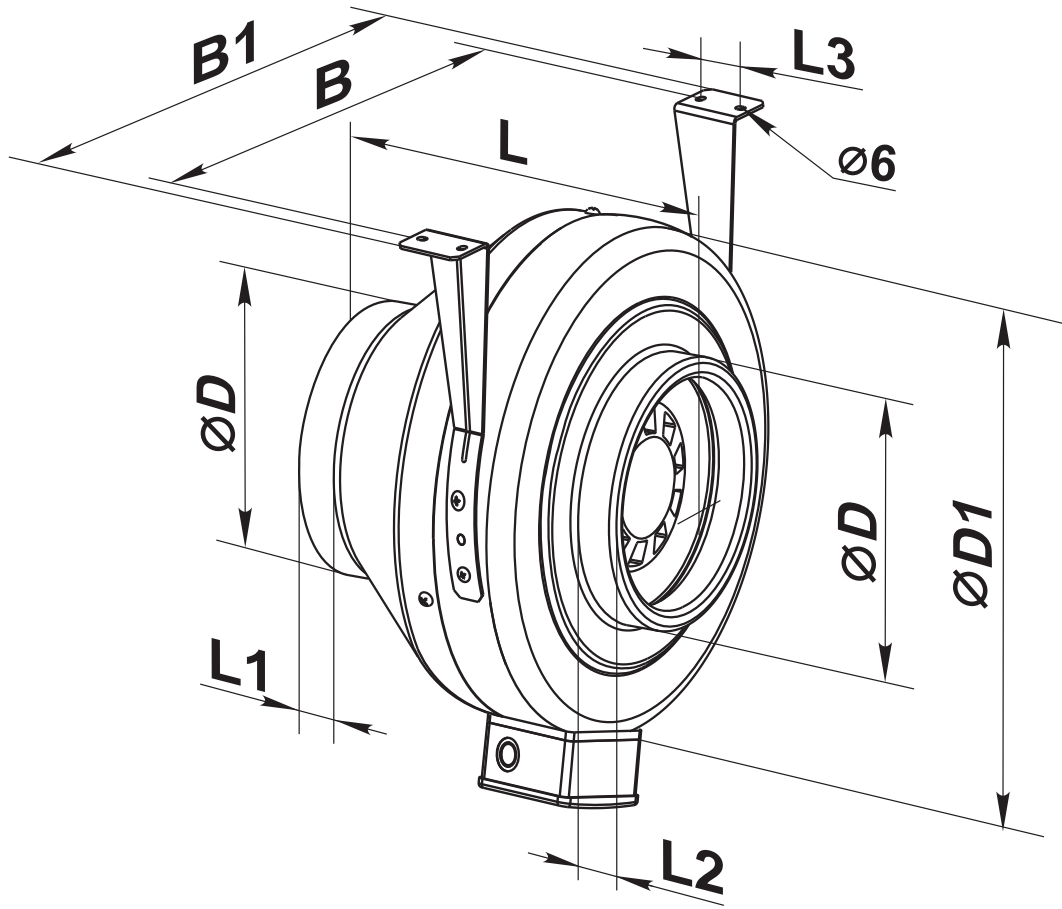
PERFORMANCE CURVE



TECHNICAL DATA

| Fan | | | | | |
|-------|----------|----------------|--------|---------------|-----------|
| RPM | 2770 | Approx. weight | 3.5 kg | Max. Flow | 0.13 m³/s |
| Motor | | | | | |
| Power | 0,064 kW | RPM | 2770 | I max. (230V) | 0,28 A |

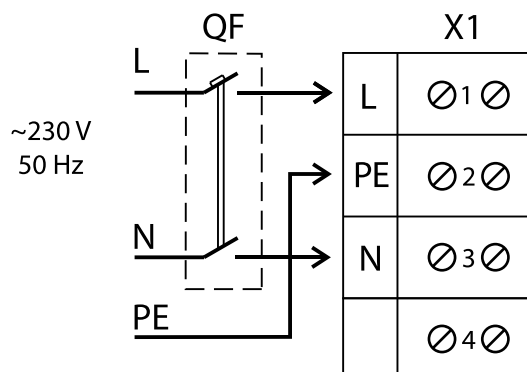
DIMENSIONS



Dimensions (mm)

| | | | | | | | | | |
|----|-----|----|-----|-----|-----|----|----|----|----|
| B | 290 | B1 | 330 | L | 170 | L1 | 20 | L2 | 20 |
| L3 | 30 | ØD | 149 | ØD1 | 274 | | | | |

WIRING DIAGRAM



ACCESSORIES



**MANUAL SINGLE PHASE SPEED CONTROLLER
REG 1,5A
REF: 960710015**



**SAFETY SWITCH
INT 25 3P A
REF: INT253PA**



**ANTI-VIBRATION JOINT
JE 45
REF: A-300719201**



**MANUAL SINGLE PHASE SPEED CONTROLLER
REGD-1
REF: 300782600**



**CIRCULAR SOUND ATTENUATOR IN GALVANISED
STEEL
SILC-MINI 160
REF: SILCM160**