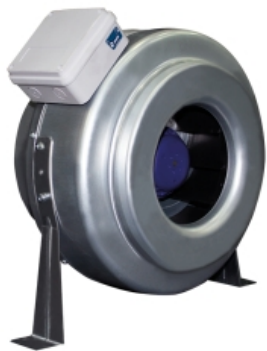


BT-3 200 (509820000)

GENERAL DATA



CENTRIFUGAL IN LINE WITH EXTERNAL ROTOR MOTOR

MANUFACTURING FEATURES:

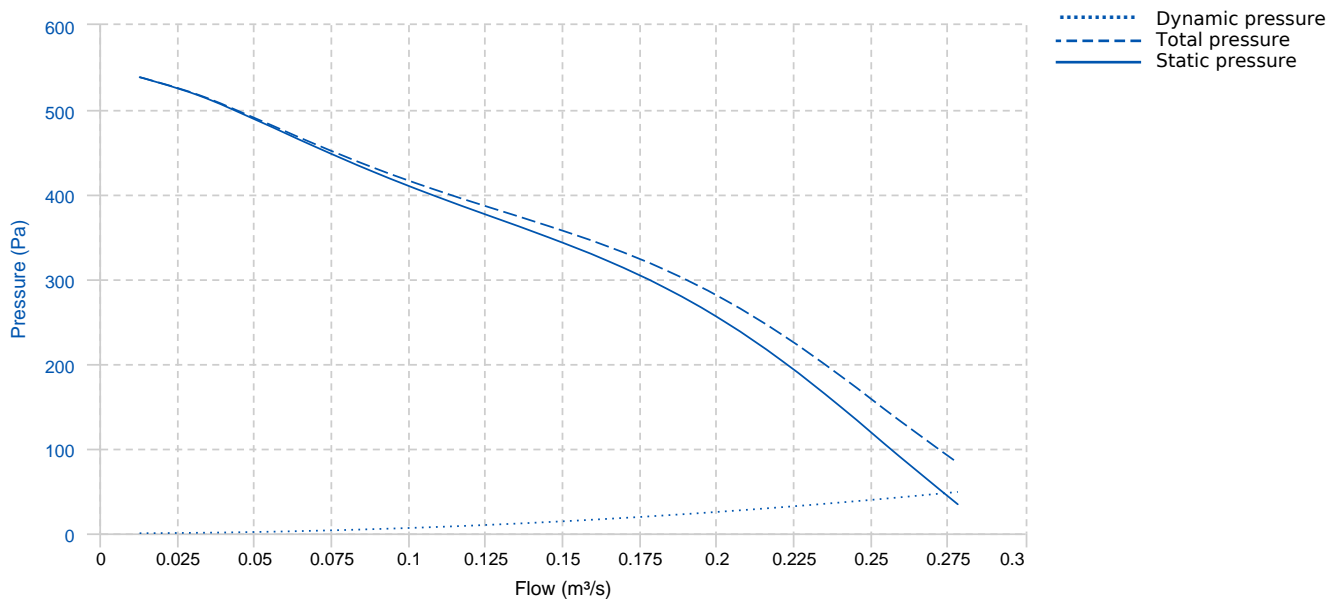
- Housing in galvanized sheet.
- Backward impeller dynamically balanced.
- External connection box.
- Single-phase asynchronous motor with external rotor, including thermal protector for automatic resetting and long-life permanent lubrication ball bearings (40,000 hours). Protection IP-44. Standard voltage 230V 50/60Hz (except 315 size which has different motor at 50Hz than 60Hz)
- Supplied with support feet (optional mounting)

APPLICATIONS:

Designed for duct installation, suitable for false ceiling, are indicated for:

- Renovation of air in bathrooms and small rooms.
- Maximum continuous working temperature: 50°C.
- Fan not suitable for transporting explosive gases.

PERFORMANCE CURVE



TECHNICAL DATA

Fan

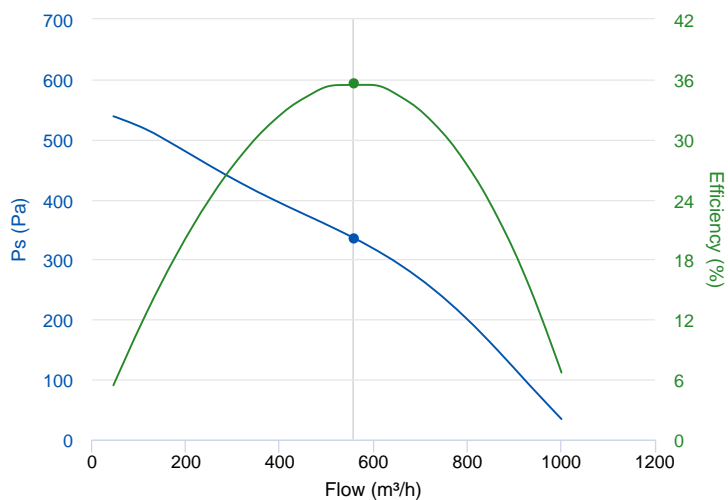
| | | | | | |
|-----|------|----------------|--------|-----------|-----------|
| RPM | 2740 | Approx. weight | 7.2 kg | Max. Flow | 0.28 m³/s |
|-----|------|----------------|--------|-----------|-----------|

Motor

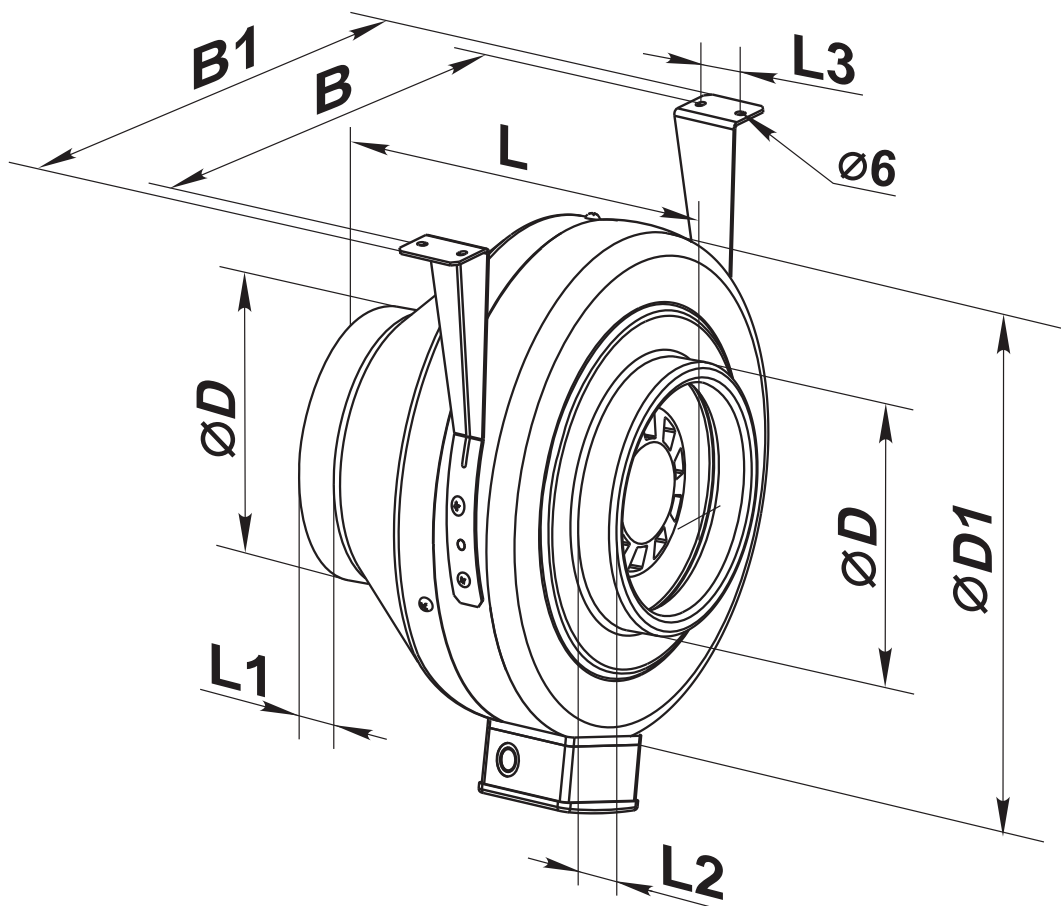
| | | | | | |
|-------|----------|-----|------|---------------|--------|
| Power | 0,157 kW | RPM | 2740 | I max. (230V) | 0,69 A |
|-------|----------|-----|------|---------------|--------|

ERP DATA

| Fan data sheet | | |
|--------------------------|----------------------------------------------|-----------------------|
| Fan type | Unit for non-residential ventilation (LOT 6) | |
| Typology | Unidirectional | |
| reports.other | None | |
| Type of driver | None | |
| Motor power (kW) | 0.157 | |
| | Fan values | ERP Requirements 2018 |
| Max. efficiency (%) | 35.59 | 30.23 |
| Effic. Heat recovery (%) | - | |
| Pabs (kW) | 0.15 | |
| Flow (m³/h) | 558.61 | |
| Static pressure (Pa) | 335.57 | |
| Speed (m/s) | 5.04 | |
| SFP (W/m3/s) | 965.48 | |



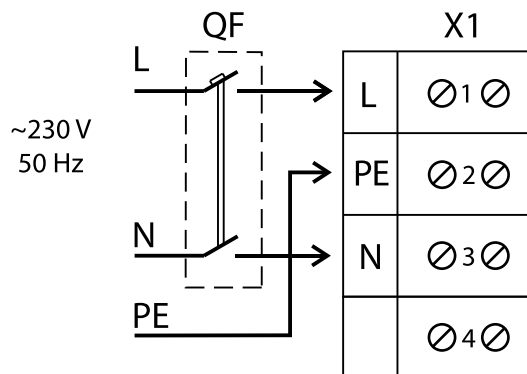
DIMENSIONS



Dimensions (mm)

| | | | | | | | | | |
|----|-----|----|-----|-----|-----|----|----|----|----|
| B | 340 | B1 | 380 | L | 245 | L1 | 25 | L2 | 29 |
| L3 | 40 | ØD | 198 | ØD1 | 332 | | | | |

WIRING DIAGRAM



ACCESSORIES



**MANUAL SINGLE PHASE SPEED CONTROLLER
REG 1,5A**
REF: 960710015



**SAFETY SWITCH
INT 25 3P A**
REF: INT253PA



**ANTI-VIBRATION JOINT
JE 45**
REF: A-300719201



**MANUAL SINGLE PHASE SPEED CONTROLLER
REGD-1**
REF: 300782600



**CIRCULAR SOUND ATTENUATOR IN GALVANISED
STEEL
SILC-MINI 200**
REF: SILCM200