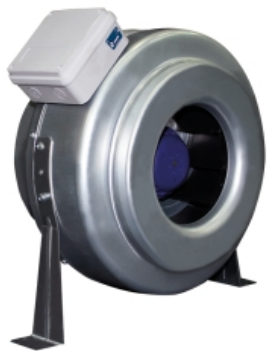


BT-3 315 (509831500)

GENERAL DATA



CENTRIFUGAL IN LINE WITH EXTERNAL ROTOR MOTOR

MANUFACTURING FEATURES:

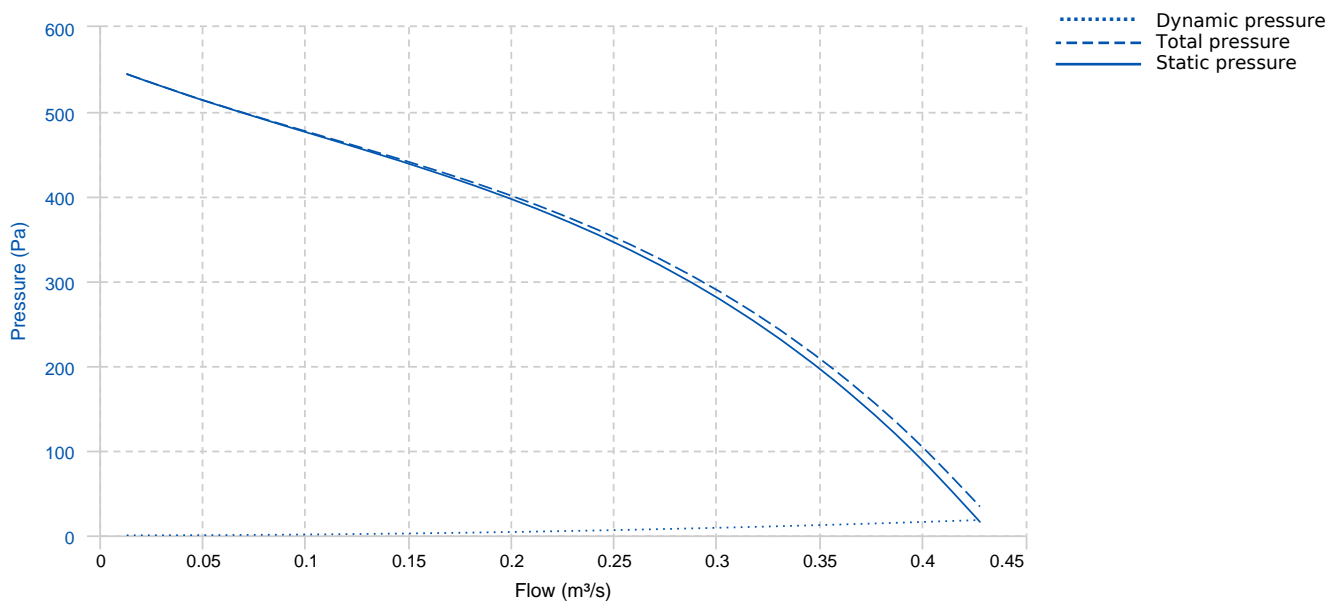
- Housing in galvanized sheet.
- Backward impeller dynamically balanced.
- External connection box.
- Single-phase asynchronous motor with external rotor, including thermal protector for automatic resetting and long-life permanent lubrication ball bearings (40,000 hours). Protection IP-44. Standard voltage 230V 50/60Hz (except 315 size which has different motor at 50Hz than 60Hz)
- Supplied with support feet (optional mounting)

APPLICATIONS:

Designed for duct installation, suitable for false ceiling, are indicated for:

- Renovation of air in bathrooms and small rooms.
- Maximum continuous working temperature: 50°C.
- Fan not suitable for transporting explosive gases.

PERFORMANCE CURVE

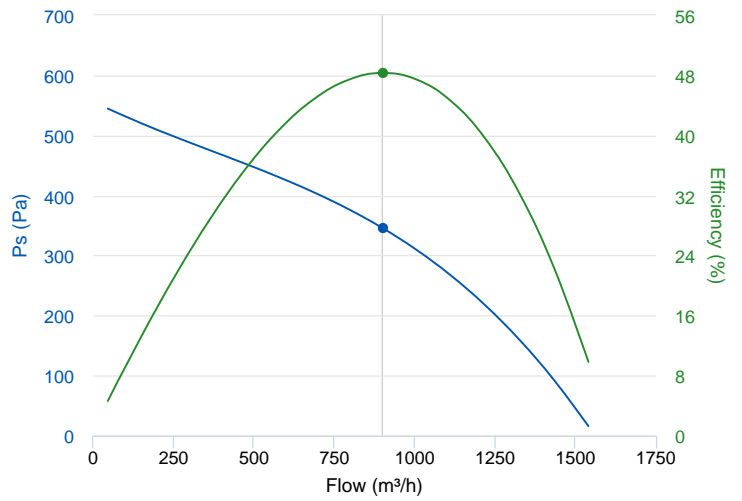


TECHNICAL DATA

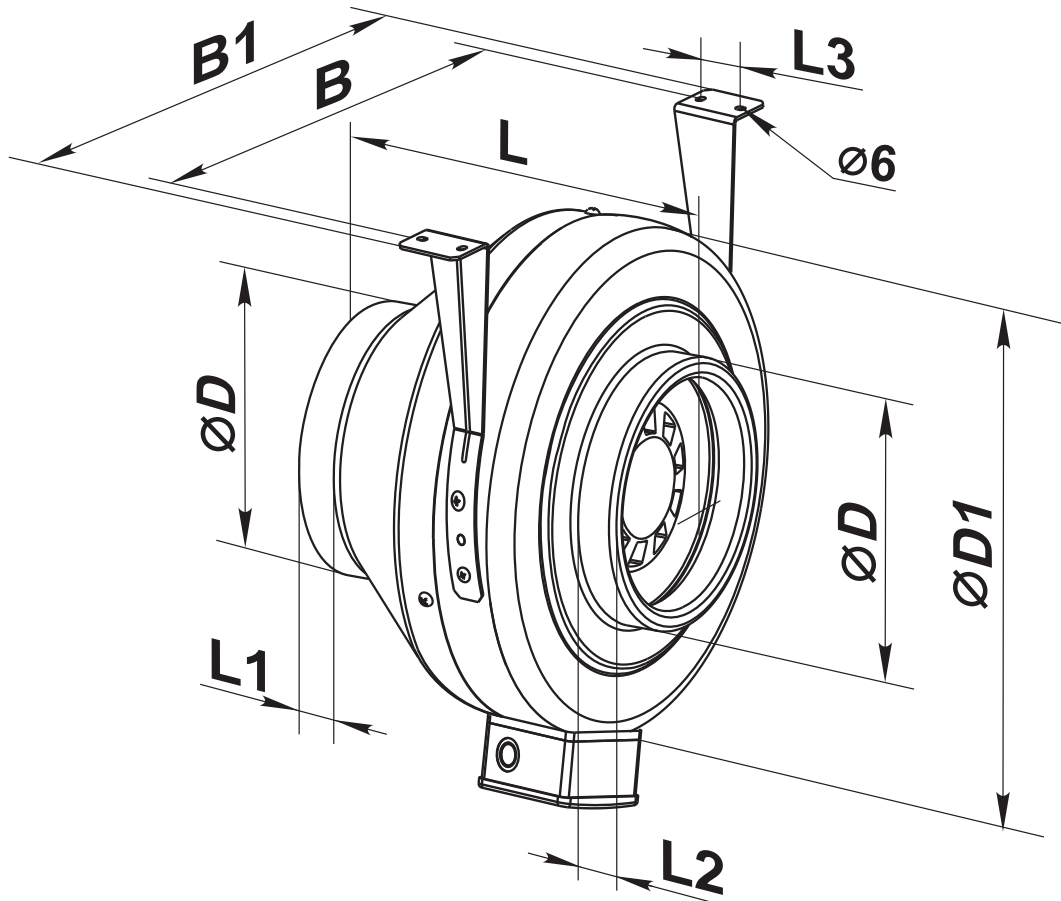
Fan							
RPM	2730	Approx. weight	8 kg	Max. Flow	0.43 m³/s		
Motor							
Power	0,185 kW	RPM	2730	I max. (230V)	0,81 A	Approx. weight	0 kg

ERP DATA

Fan data sheet		
Fan type	Unit for non-residential ventilation (LOT 6)	
Typology	Unidirectional	
reports.other	None	
Type of driver	None	
Motor power (kW)	0.185	
	Fan values	ERP Requirements 2018
Max. efficiency (%)	48.31	31.48
Effic. Heat recovery (%)	-	
Pabs (kW)	0.183	
Flow (m³/h)	902.34	
Static pressure (Pa)	344.92	
Speed (m/s)	3.22	
SFP (W/m3/s)	730.76	



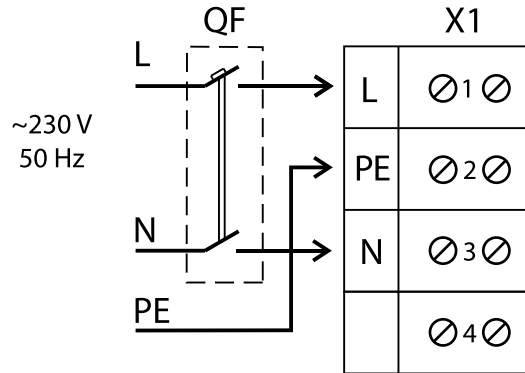
DIMENSIONS



Dimensions (mm)

B	410	B1	450	L	308	L1	33	L2	55
L3	40	ØD	313	ØD1	402				

WIRING DIAGRAM



ACCESSORIES



**MANUAL SINGLE PHASE SPEED CONTROLLER
REG 1,5A**
REF: 960710015



**SAFETY SWITCH
INT 25 3P A**
REF: INT253PA



**ANTI-VIBRATION JOINT
JE 45**
REF: A-300719201



**MANUAL SINGLE PHASE SPEED CONTROLLER
REGD-1**
REF: 300782600



**CIRCULAR SOUND ATTENUATOR IN GALVANISED
STEEL
SILC-MINI 315**
REF: SILCM315