

BVFC 10/10

GENERAL DATA



BVFC 9/9 - 18/18



BVFC 20/20-30/28

BOX FAN WITH FORWARD IMPELLER AND BELT TRANSMISSION - 400°C/2h

MANUFACTURING FEATURES:

- Fans in thermal and soundproofing cabinets.
- Double inlet forward curved impeller.
- Transmission set outside the airstream including the belts protection grid.
- Standard asynchronous squirrel-cage motor with IP-55 protection and Class F insulation. Manufactured with standard voltages: 230/400V 50Hz in three phase motors up to 4kW and 400/690V 50Hz for higher powers. 2 speed motors 400V 50Hz

APPLICATIONS:

Designed for inline installation, indoor or outdoor assembly, they are suitable for:

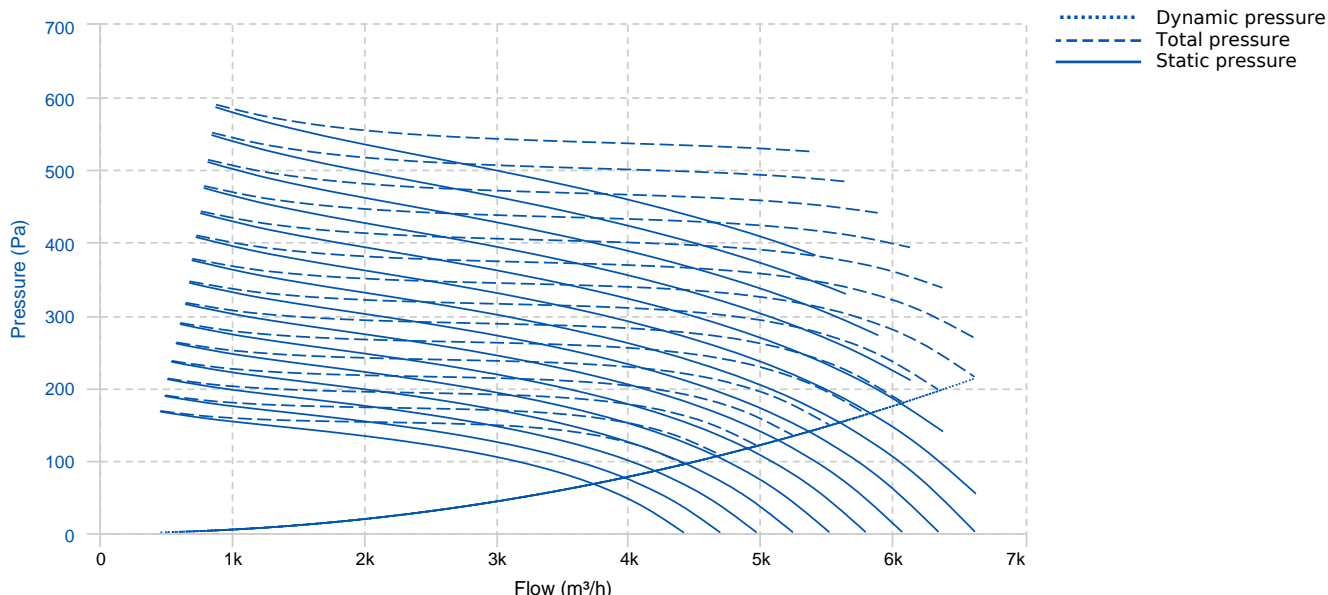
- Smoke emergency exhaust with motor outside the hazardous area.
- Industrial and professional kitchen hoods.
- Maximum working temperature: carried air: 110°C, ambient: 60°C.

UNDER REQUEST:

- 60Hz fans and special voltages.
- Vertical discharge.
- 2 Speed

Official homologation by the European laboratory APPLUS according to EN 12101-3:2015 Certification Nr: 0370-CPR-0723

PERFORMANCE CURVE

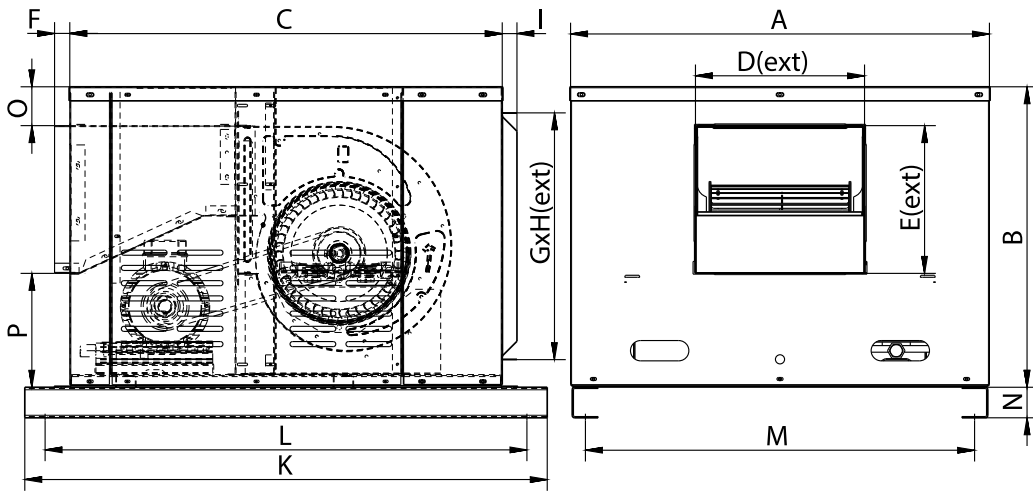


TECHNICAL DATA

Fan

RPM	-	Approx. weight	-	Max. Flow	6630 m ³ /h
-----	---	----------------	---	-----------	------------------------

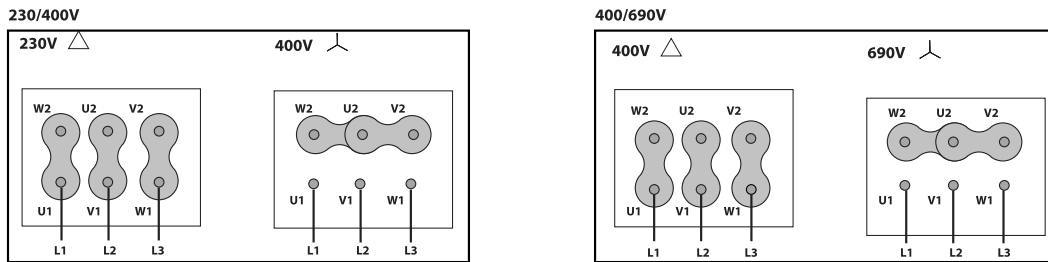
DIMENSIONS



Dimensions (mm)

A	825	B	592	C	852	D	333	E	291
F	30	G	725	H	486	I	29	K	1029
L	949	M	766.5	N	60	O	76,5	P	224,3

WIRING DIAGRAM



ACCESSORIES



METALLIC GRAVITY SHUTTER FOR CABINET FANS. CERTIFIED 400°C/2H
PI 28/28 (10/10)
REF: 970280100



INLET/OUTLET ROUND COVER
TIAC 3 (OUT)
REF: 960001353



**INLET/OUTLET ROUND COVER
TIAC 8 (IN)**
REF: 960001358



**OUTDOOR FLANGE WITH BIRD GUARD
VIS OUT 10**
REF: 960000051



**INLET BLIND COVER
TCA 13**
REF: A-960001123



**RECTANGULAR-CIRCULAR ANTI-VIBRATION
FLANGE
BAC 3 (OUT 10/10)**
REF: 960002953



**RECTANGULAR-CIRCULAR ANTI-VIBRATION
FLANGE
BAC 8 (IN BVFC 10/10)**
REF: 960002958

ANTI-VIBRATION



**FREQUENCY SPEED CONTROLLER
SFC (GENERIC)**



**SAFETY SWITCH
INT (GENERIC)**

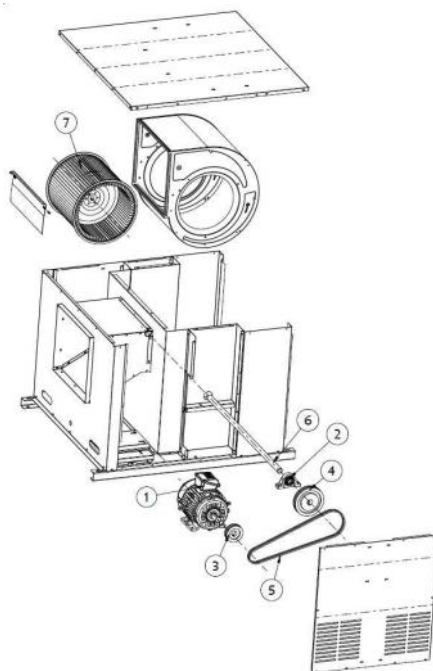


**ANTI-VIBRATION RUBBER BLOCK
AVR (GENERIC)**



**ANTI-VIBRATION SPRING BLOCK
AVS (GENERIC)**

SPARE PARTS



	Code	Model	Qty
2	712919120	BEARING COLL.EXC. NP20 "C3-120 ^o	x2
6	242212112	SHAFT BVFC10/10	x1
7	R-252219381	IMPELLER BV-BVFC 10/10	x1
8	R-242218493	BOX (WITHOUT MOTOR NOR TRANSMISSION) BVFC 10/10	x1