

BVFC 15/15

GENERAL DATA



BVFC 9/9 - 18/18



BVFC 20/20-30/28

BOX FAN WITH FORWARD IMPELLER AND BELT TRASMISSION - 400°C/2h

MANUFACTURING FEATURES:

- Fans in thermal and soundproofing cabinets.
- Double inlet forward curved impeller.
- Transmission set outside the airstream including the belts protection grid.
- Standard asynchronous squirrel-cage motor with IP-55 protection and Class F insulation. Manufactured with standard voltages: 230/400V 50Hz in three phase motors up to 4kW and 400/690V 50Hz for higher powers. 2 speed motors 400V 50Hz

APPLICATIONS:

Designed for inline installation, indoor or outdoor assembly, they are suitable for:

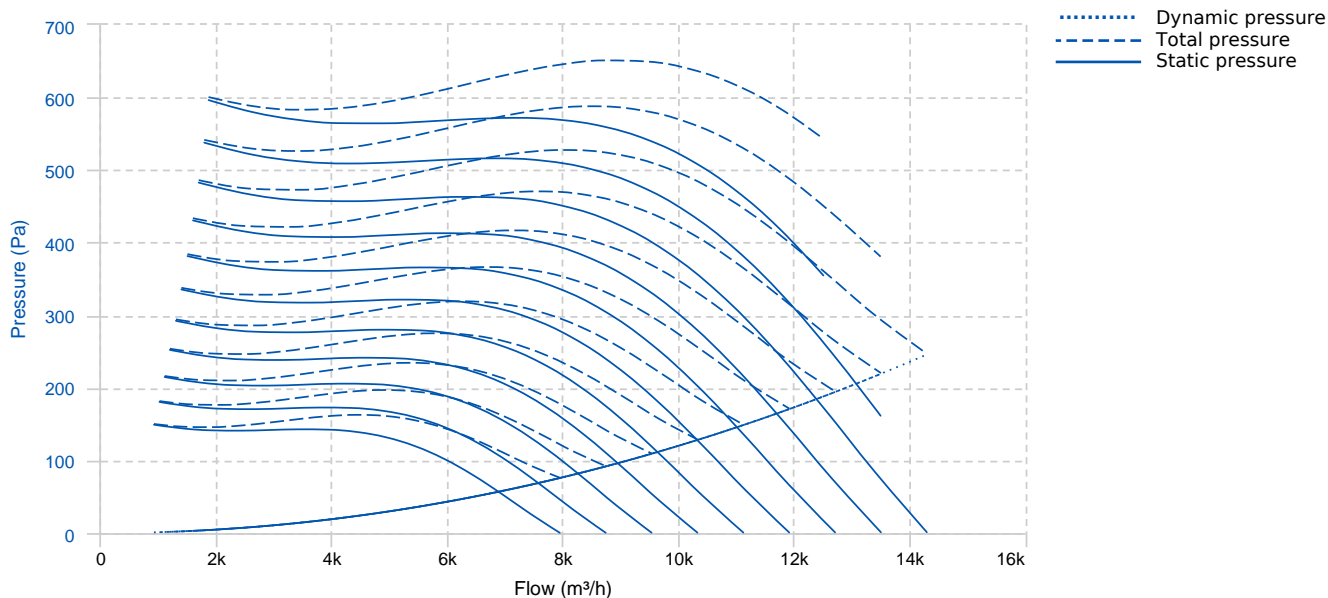
- Smoke emergency exhaust with motor outside the hazardous area.
- Industrial and professional kitchen hoods.
- Maximum working temperature: carried air: 110°C, ambient: 60°C.

UNDER REQUEST:

- 60Hz fans and special voltages.
- Vertical discharge.
- 2 Speed

Official homologation by the European laboratory APPLUS according to EN 12101-3:2015
Certification Nr: 0370-CPR-0723

PERFORMANCE CURVE

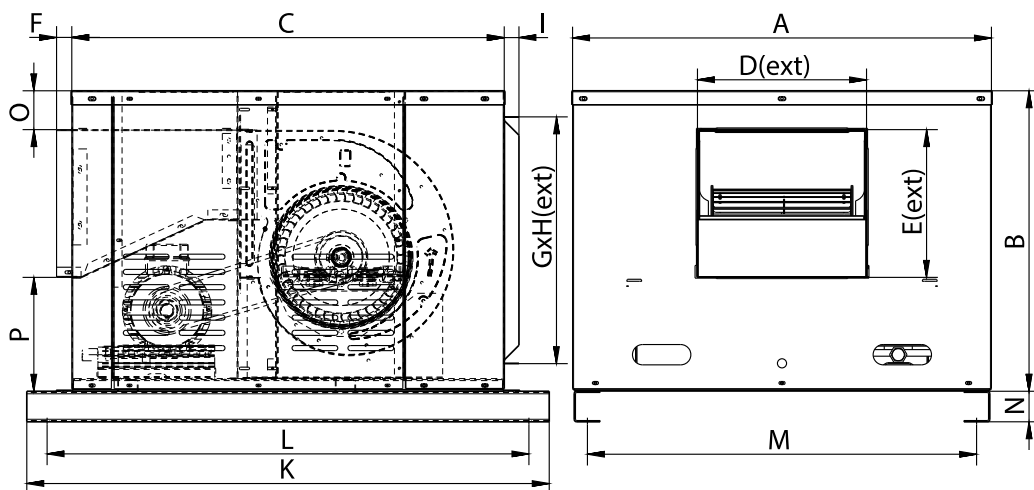


TECHNICAL DATA

Fan

RPM	-	Approx. weight	-	Max. Flow	14300 m ³ /h
-----	---	----------------	---	-----------	-------------------------

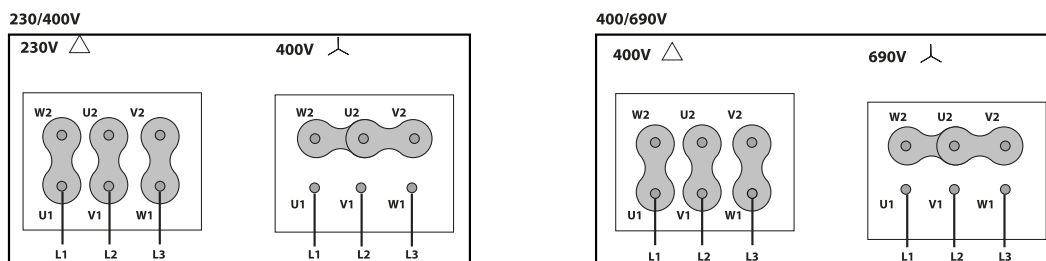
DIMENSIONS



Dimensions (mm)

A	1100	B	802	C	1103,5	D	483	E	404,5
F	30	G	1009	H	702	I	29	K	1280
L	1200	M	1041.5	N	60	O	102,8	P	295

WIRING DIAGRAM



ACCESSORIES



METALLIC GRAVITY SHUTTER FOR CABINET FANS. CERTIFIED 400°C/2H
PI 39/39 (15/15)
REF: 970390100



INLET/OUTLET ROUND COVER
TIAC 5 (OUT)
REF: 960001355



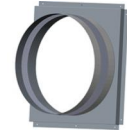
**INLET/OUTLET ROUND COVER
TIAC 10 (IN)**
REF: 960001360



**OUTDOOR FLANGE WITH BIRD GUARD
VIS OUT 15**
REF: 960000053



**INLET BLIND COVER
TCA 15**
REF: A-960001125



**RECTANGULAR-CIRCULAR ANTI-VIBRATION
FLANGE
BAC 5 (OUT 15/15)**
REF: 960002955



**RECTANGULAR-CIRCULAR ANTI-VIBRATION
FLANGE
BAC 10 (IN BVFC 15/15)**
REF: 960002960

ANTI-VIBRATION



**FREQUENCY SPEED CONTROLLER
SFC (GENERIC)**



**SAFETY SWITCH
INT (GENERIC)**

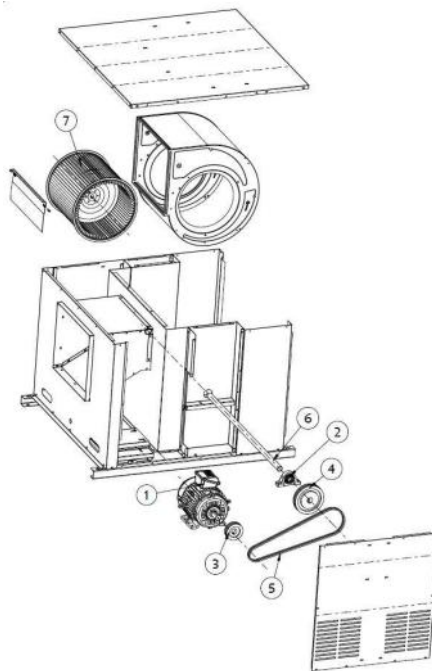


**ANTI-VIBRATION RUBBER BLOCK
AVR (GENERIC)**



**ANTI-VIBRATION SPRING BLOCK
AVS (GENERIC)**

SPARE PARTS



	Code	Model	Qty
2	712919125	BEARING COLL.EXC. NP25 C3-120°C	x2
6	242372112	SHAFT BVFC15/15	x1
7	R-242379382	IMPELLER BV-BVFC 15/15 D.25	x1
8	R-242378493	BOX (WITHOUT MOTOR NOR TRANSMISSION) BVFC 15/15	x1