

BVFC 9/9

GENERAL DATA



BVFC 9/9 - 18/18



BVFC 20/20-30/28

BOX FAN WITH FORWARD IMPELLER AND BELT TRANSMISSION - 400°C/2h

MANUFACTURING FEATURES:

- Fans in thermal and soundproofing cabinets.
- Double inlet forward curved impeller.
- Transmission set outside the airstream including the belts protection grid.
- Standard asynchronous squirrel-cage motor with IP-55 protection and Class F insulation. Manufactured with standard voltages: 230/400V 50Hz in three phase motors up to 4kW and 400/690V 50Hz for higher powers. 2 speed motors 400V 50Hz

APPLICATIONS:

Designed for inline installation, indoor or outdoor assembly, they are suitable for:

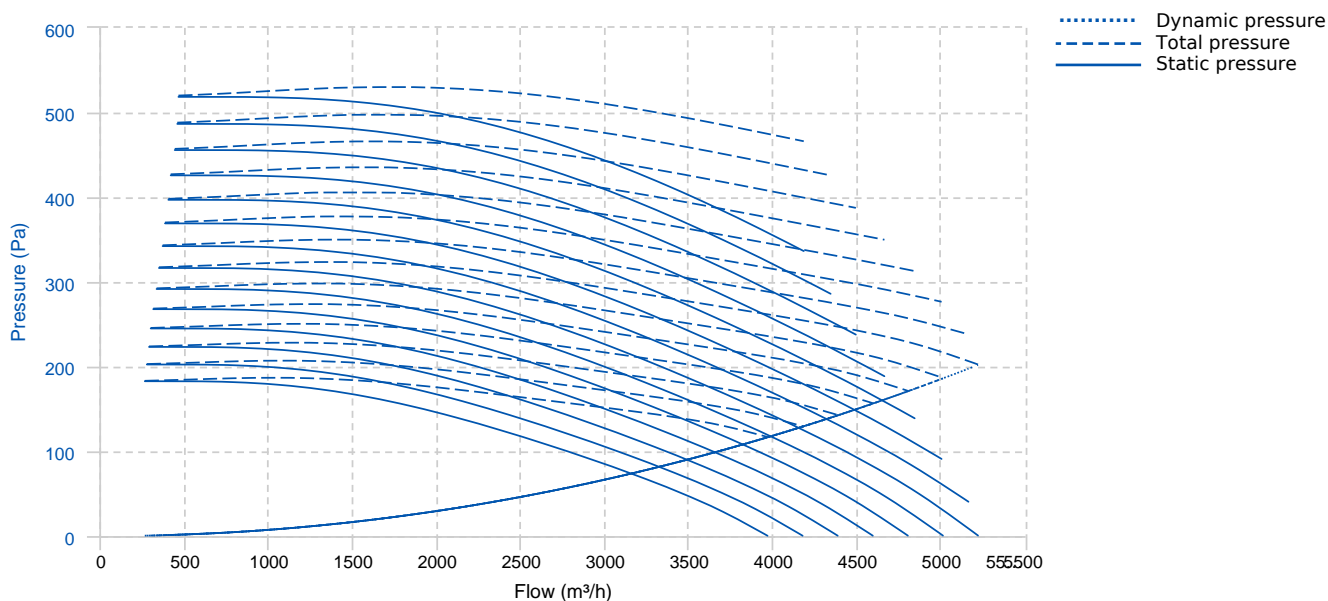
- Smoke emergency exhaust with motor outside the hazardous area.
- Industrial and professional kitchen hoods.
- Maximum working temperature: carried air: 110°C, ambient: 60°C.

UNDER REQUEST:

- 60Hz fans and special voltages.
- Vertical discharge.
- 2 Speed

Official homologation by the European laboratory APPLUS according to EN 12101-3:2015 Certification Nr: 0370-CPR-0723

PERFORMANCE CURVE

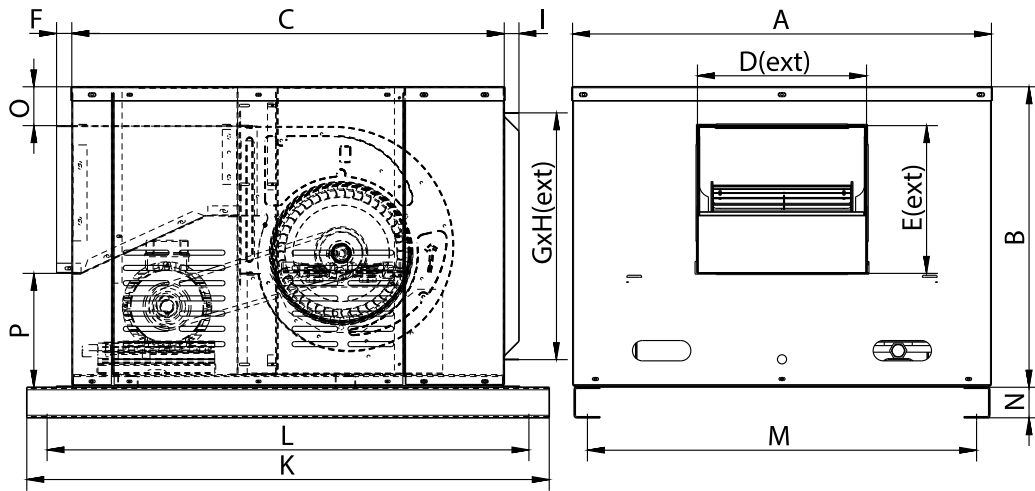


TECHNICAL DATA

Fan

RPM	-	Approx. weight	-	Max. Flow	5220 m ³ /h
-----	---	----------------	---	-----------	------------------------

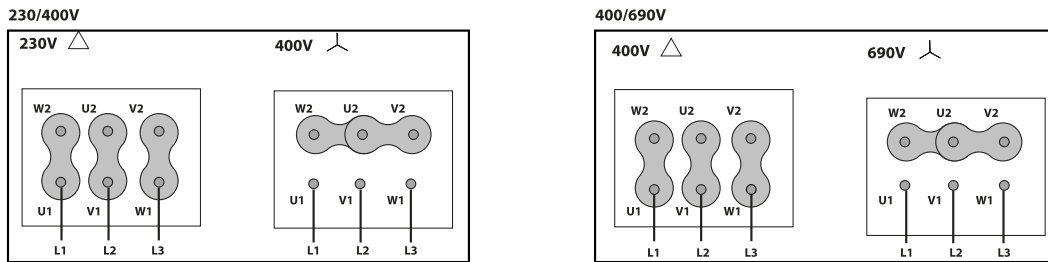
DIMENSIONS



Dimensions (mm)

A	780	B	562	C	792.5	D	304	E	262
F	30	G	680	H	456	I	29	K	970
L	890	M	721.5	N	60	O	80,5	P	219,3

WIRING DIAGRAM



ACCESSORIES



METALLIC GRAVITY SHUTTER FOR CABINET FANS. CERTIFIED 400°C/2H
PI 25/25 (9/9)
REF: 970250100



INLET/OUTLET ROUND COVER
TIAC 2 (OUT)
REF: 960001352



INLET/OUTLET ROUND COVER
TIAC 7 (IN)
REF: 960001357



INLET BLIND COVER
TCA 12
REF: A-960001122



RECTANGULAR-CIRCULAR **ANTI-VIBRATION**
FLANGE
BAC 2 (OUT 9/9)
REF: 960002952



RECTANGULAR-CIRCULAR **ANTI-VIBRATION**
FLANGE
BAC 7 (IN BVFC 9/9)
REF: 960002957



OUTDOOR FLANGE WITH BIRD GUARD
VIS OUT 9
REF: 960000050



FREQUENCY SPEED CONTROLLER
SFC (GENERIC)



SAFETY SWITCH
INT (GENERIC)

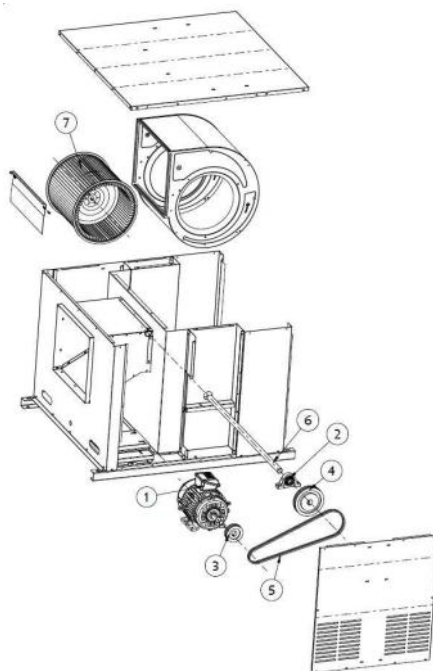


ANTI-VIBRATION RUBBER BLOCK
AVR (GENERIC)



ANTI-VIBRATION SPRING BLOCK
AVS (GENERIC)

SPARE PARTS



	Code	Model	Qty
2	712919120	BEARING COLL.EXC. NP20 "C3-120º	x2
6	242182112	SHAFT BVFC9/9	x1
7	R-252189381	IMPELLER BV-BVFC 9/9	x1
8	R-242188493	BOX (WITHOUT MOTOR NOR TRANSMISSION) BVFC 9/9	x1