

FOCCETA (510117039)

GENERAL DATA



CENTRIFUGAL ROOF FAN FOR FIREPLACES AND BARBECUES

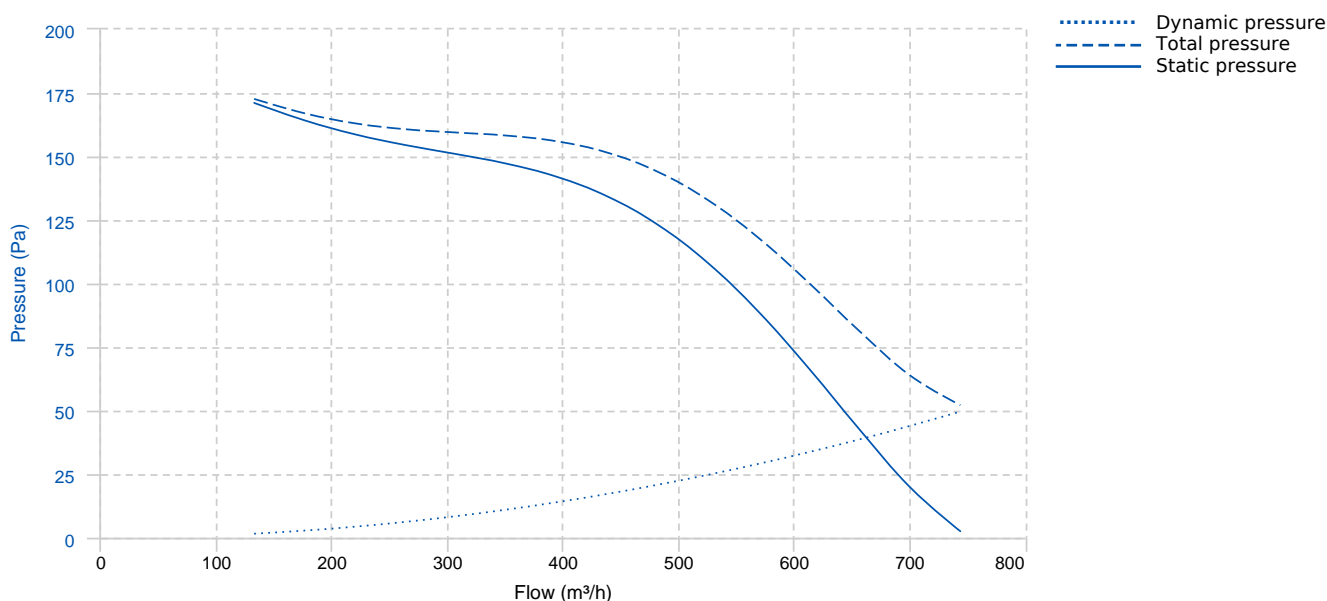
MANUFACTURING FEATURES

- Steel motor cover with hammered texture. Polyester powder coated in black colour.
- Backward curved impeller with self-cleaning aluminium blades, dynamically balanced (UNI ISO 1940, Point 1 - Class 6.3).
- Protection grid with anti-bird rings (in accordance with UNI ISO 13857 standard), made of electrically welded steel and black epoxy finishing coat.
- Base made of embossed steel, covered with epoxy to guarantee great resistance to long-term atmospheric agents.
- Aerodynamic shape for optimum performance, in one piece to optimize the air flow.
- Sub-frame for fixing the unit to the chimney.
- Equipped with steel safety wire for anchoring the appliance once installed.
- Class I and IP X4 asynchronous motor, with standard voltage 230V 50/50Hz, with thermal protector and ball bearings.

APPLICATIONS

- Specially designed for smoke extraction use at a continuous operating temperature up to 200 °C in fireplaces and barbecues.

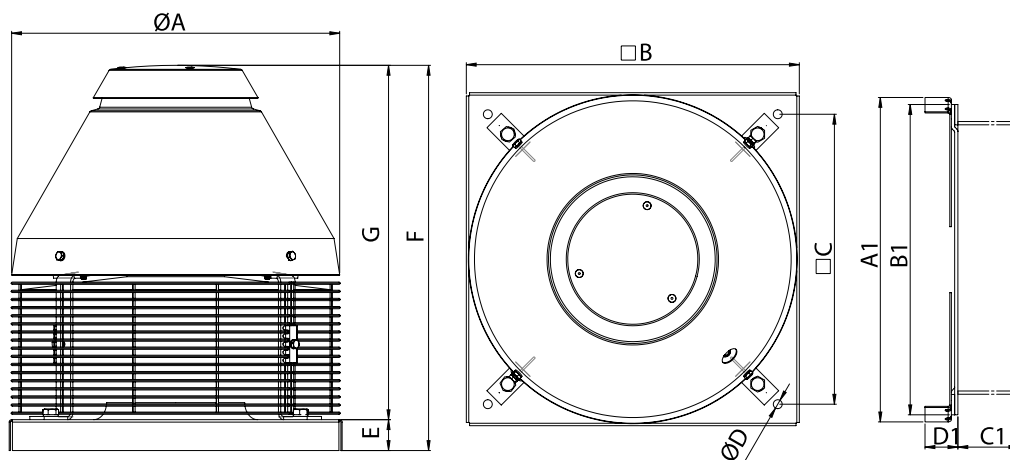
PERFORMANCE CURVE



TECHNICAL DATA

Fan							
RPM	1400	Approx. weight	18 kg	Max. Flow	750 m³/h		
Motor							
Power	0,12 kW	RPM	1400	I max. (230V)	0,5 A	Approx. weight	0 kg

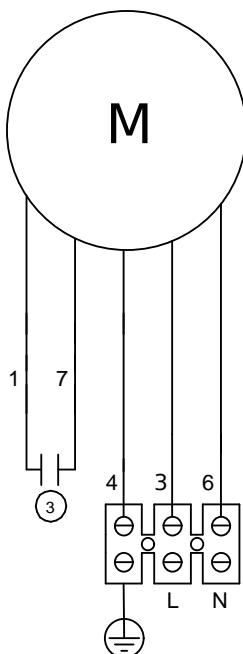
DIMENSIONS



Dimensions (mm)

A1	401	B	410	B1	357	C	357	C1	140
D1	40	E	38	F	518	G	480	ØA	405
ØD	10	Øinlet	170						

WIRING DIAGRAM



ACCESSORIES



MANUAL SINGLE PHASE SPEED CONTROLLER
REG 1,5A
REF: 960710015



SAFETY SWITCH
INT 25 3P A
REF: INT253PA