

# HB 35 M2 (A0:6)

## GENERAL DATA



WALL FAN , VARIABLE PITCH BLADES

**MANUFACTURING FEATURES:**

- Plate axial fan with circular reinforced frame.
- Motor-impeller modular assembly for complete versatility.
- Corrosion-resistant powder coat polyester resin.
- Standard asynchronous squirrel-cage motor with IP-55 protection and Class F insulation. Manufactured with standard voltages: 230V 50Hz in single phase motors and 230/400V 50Hz in three phase, motors up to 4kW and 400/690V 50Hz for higher powers.
- HB :Polypropylene impeller (A2 profile) or polyamide impeller reinforced with fibreglass (other profiles) with variable pitch angle.
- HBA : Cast aluminum impeller with variable pitch angle.

**APPLICATIONS:**

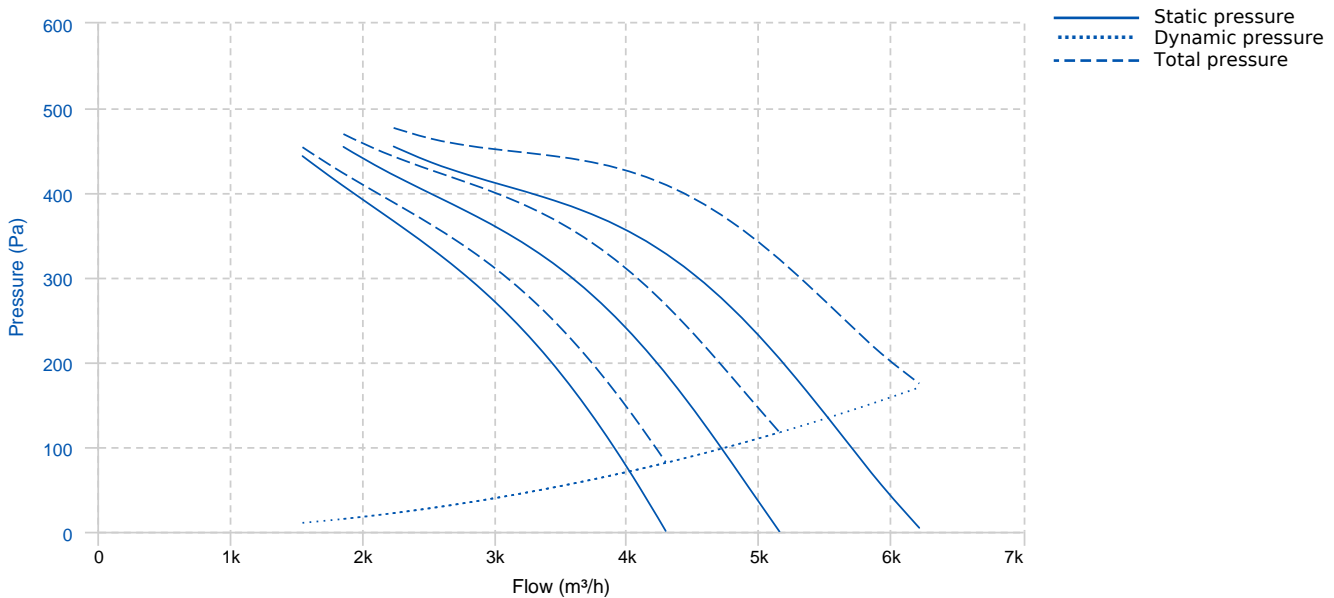
Designed for wall or duct installation, they are suitable for:

- Air renewal in buildings and industries.
- Maximum working temperature: 1ph 50°C, 3ph 60°C.

**UNDER REQUEST:**

- Supply impeller (air direction from impeller to motor)
- 100% reversible impeller.
- 60Hz fans and special voltages.
- Hot-dipped galvanized or stainless steel housing.

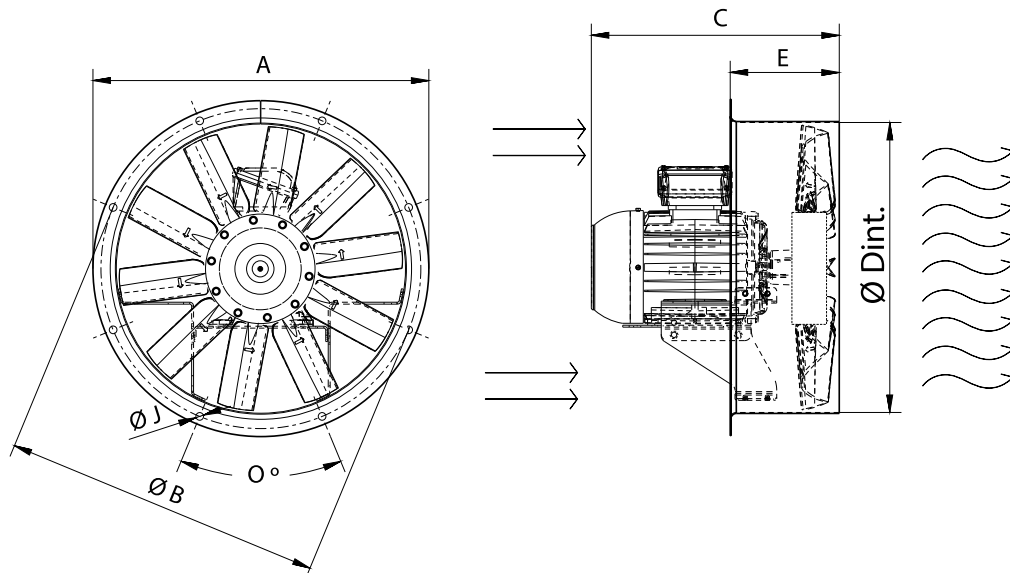
## PERFORMANCE CURVE



## TECHNICAL DATA

Fan					
RPM	-	Approx. weight	-	Max. Flow	6810 m³/h

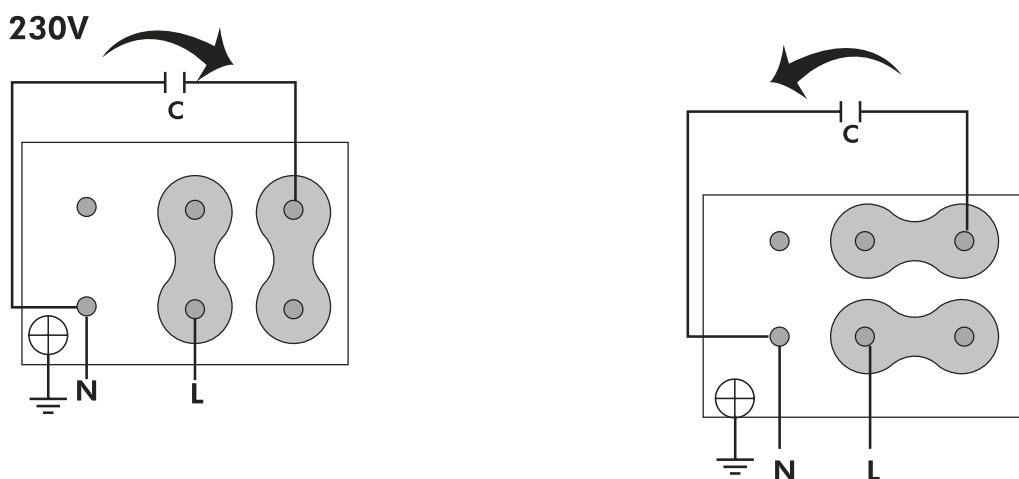
## DIMENSIONS



### Dimensions (mm)

C (Mot.T.63)	303	C (Mot.T.71)	306	C (Mot.T.80)	335	E	150	O	8x45°
ØA	434	ØB	395	ØD	365	ØJ	10		

## WIRING DIAGRAM



**ACCESSORIES**



**PLASTIC GRAVITY SHUTTER**  
**PCP 35**  
REF: 963230105G



**CONNECTION FLANGE**  
**AC 350**  
REF: 960003211



**ANTI-VIBRATING FLANGE 400<sup>ø</sup>/2H**  
**BA-400 35**  
REF: 960002053



**SQUARE MOUNTING FRAME FOR HB FANS**  
**MC HB 35**  
REF: 960003152



**ANTI-VIBRATION JOINT**  
**JE 45**  
REF: 300719201



**Outlet protection guard for axial fans**  
**RPO 351**  
REF: 960001212



**ALUMINIUM GRAVITY SHUTTER**  
**PC2 40**  
REF: PC24040



**CIRCULAR-CIRCULAR ANTI-VIBRATION FLANGE**  
**BAD 10 (Ø350)**  
REF: 960003460



**SAFETY SWITCH**  
**INT (GENERIC)**



**INLET PROTECTION GUARD FOR AXIAL FANS**  
**RP1 (GENERIC)**