

HB 35 M4 (A0:6)

GENERAL DATA



WALL FAN , VARIABLE PITCH BLADES

MANUFACTURING FEATURES:

- Plate axial fan with circular reinforced frame.
- Motor-impeller modular assembly for complete versatility.
- Corrosion-resistant powder coat polyester resin.
- Standard asynchronous squirrel-cage motor with IP-55 protection and Class F insulation. Manufactured with standard voltages: 230V 50Hz in single phase motors and 230/400V 50Hz in three phase, motors up to 4kW and 400/690V 50Hz for higher powers.
- HB :Polypropylene impeller (A2 profile) or polyamide impeller reinforced with fibreglass (other profiles) with variable pitch angle.
- HBA : Cast aluminum impeller with variable pitch angle.

APPLICATIONS:

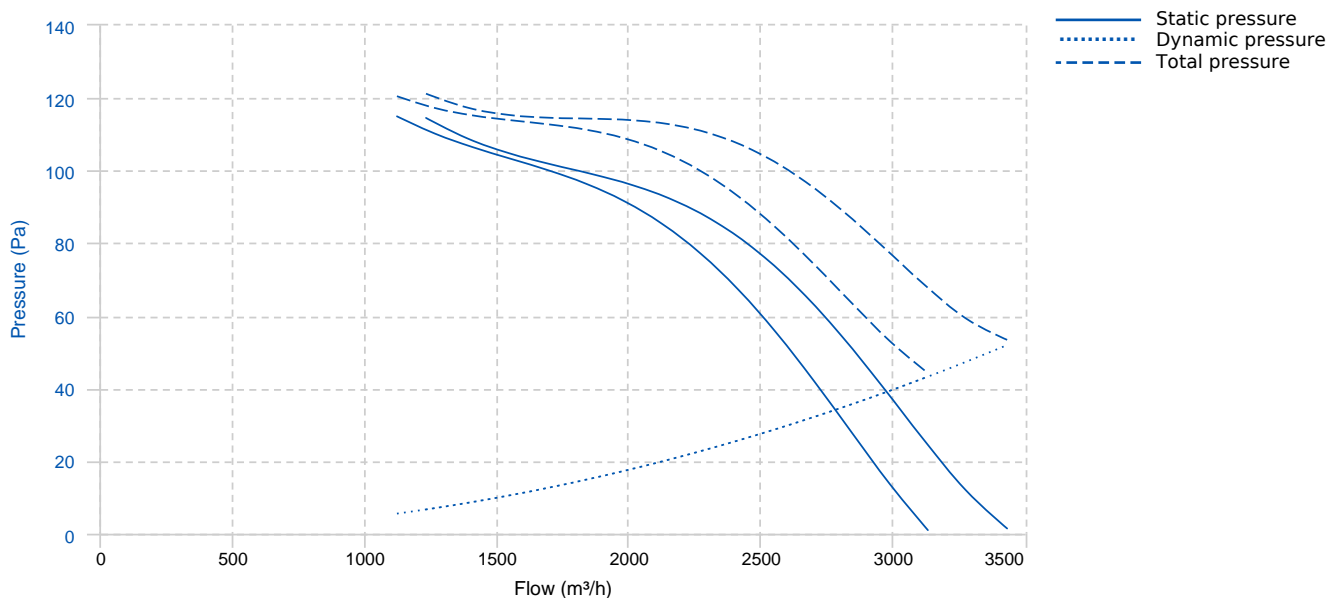
Designed for wall or duct installation, they are suitable for:

- Air renewal in buildings and industries.
- Maximum working temperature: 1ph 50°C, 3ph 60°C.

UNDER REQUEST:

- Supply impeller (air direction from impeller to motor)
- 100% reversible impeller.
- 60Hz fans and special voltages.
- Hot-dipped galvanized or stainless steel housing.

PERFORMANCE CURVE



TECHNICAL DATA

Fan

RPM

-

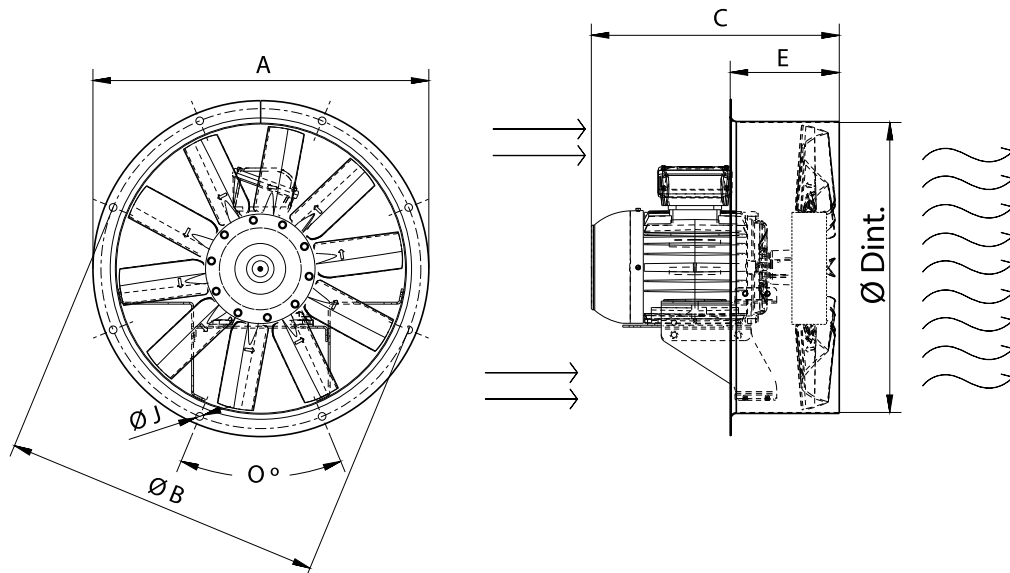
Approx. weight

-

Max. Flow

3440 m³/h

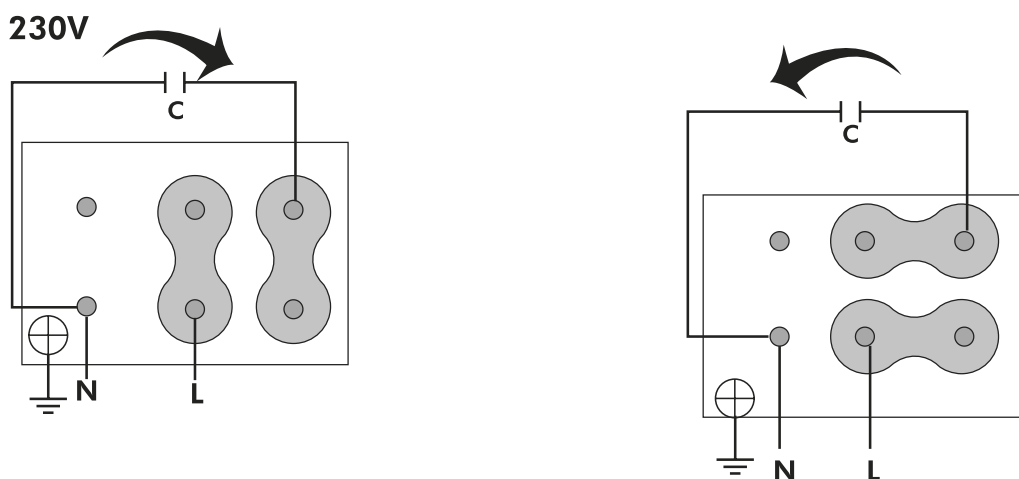
DIMENSIONS



Dimensions (mm)

C (Mot.T.63)	303	C (Mot.T.71)	306	C (Mot.T.80)	335	E	150	O	8x45°
ØA	434	ØB	395	ØD	365	ØJ	10		

WIRING DIAGRAM



ACCESSORIES



PLASTIC GRAVITY SHUTTER
PCP 35
REF: 963230105G



CONNECTION FLANGE
AC 350
REF: 960003211



ANTI-VIBRATING FLANGE 400²/2H
BA-400 35
REF: 960002053



SQUARE MOUNTING FRAME FOR HB FANS
MC HB 35
REF: 960003152



ANTI-VIBRATION JOINT
JE 45
REF: 300719201



Outlet protection guard for axial fans
RPO 351
REF: 960001212



ALUMINIUM GRAVITY SHUTTER
PC2 40
REF: PC24040



CIRCULAR-CIRCULAR ANTI-VIBRATION FLANGE
BAD 10 (Ø350)
REF: 960003460



SAFETY SWITCH
INT (GENERIC)



INLET PROTECTION GUARD FOR AXIAL FANS
RP1 (GENERIC)