

HB 45 M4 (A0:6)

GENERAL DATA



WALL FAN , VARIABLE PITCH BLADES

MANUFACTURING FEATURES:

- Plate axial fan with circular reinforced frame.
 - Motor-impeller modular assembly for complete versatility.
 - Corrosion-resistant powder coat polyester resin.
 - Standard asynchronous squirrel-cage motor with IP-55 protection and Class F insulation.
- Manufactured with standard voltages: 230V 50Hz in single phase motors and 230/400V 50Hz in three phase, motors up to 4kW and 400/690V 50Hz for higher powers.
- HB :Polypropylene impeller (A2 profile) or polyamide impeller reinforced with fibreglass (other profiles) with variable pitch angle.
 - HBA : Cast aluminum impeller with variable pitch angle.

APPLICATIONS:

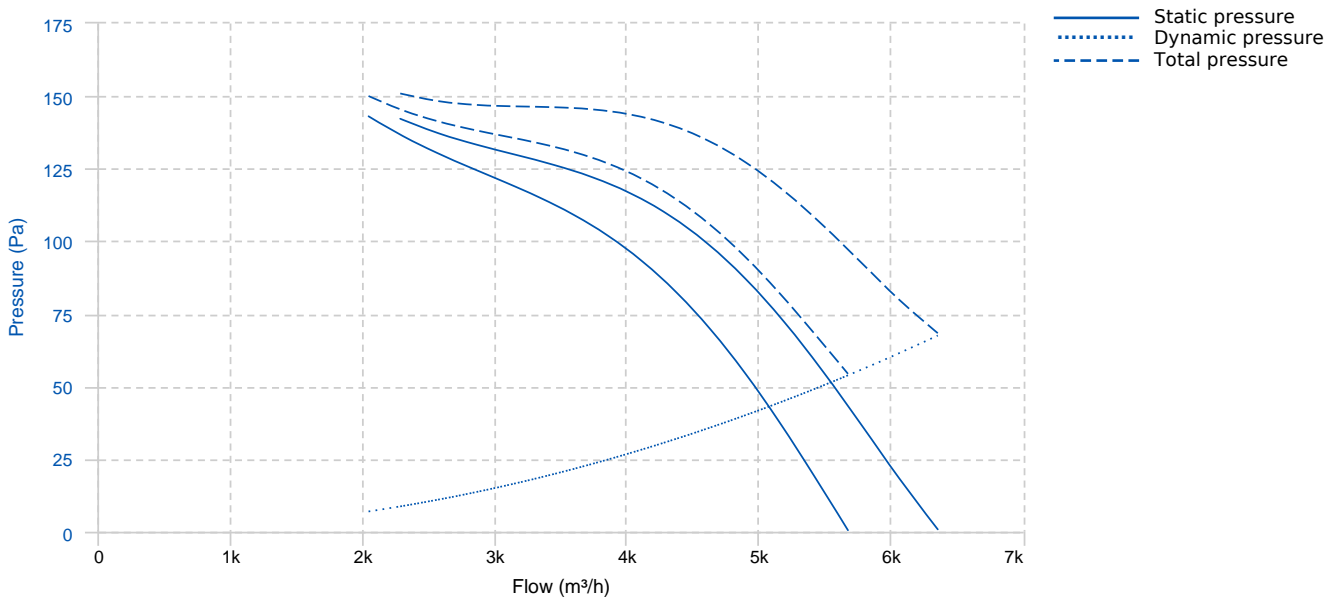
Designed for wall or duct installation, they are suitable for:

- Air renewal in buildings and industries.
- Maximum working temperature: 1ph 50°C, 3ph 60°C.

UNDER REQUEST:

- Supply impeller (air direction from impeller to motor)
- 100% reversible impeller.
- 60Hz fans and special voltages.
- Hot-dipped galvanized or stainless steel housing.

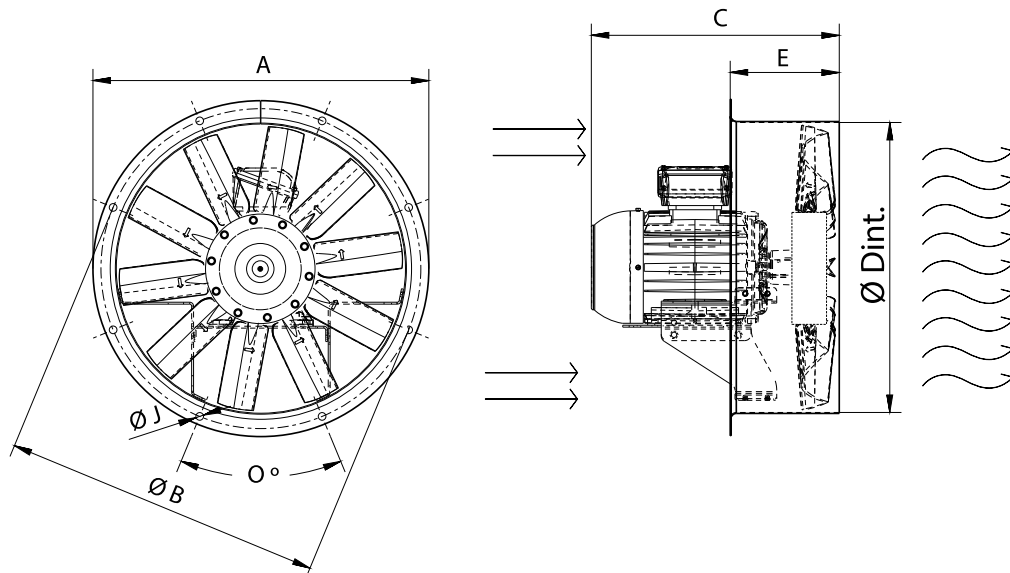
PERFORMANCE CURVE



TECHNICAL DATA

Fan					
RPM	-	Approx. weight	-	Max. Flow	6360 m³/h

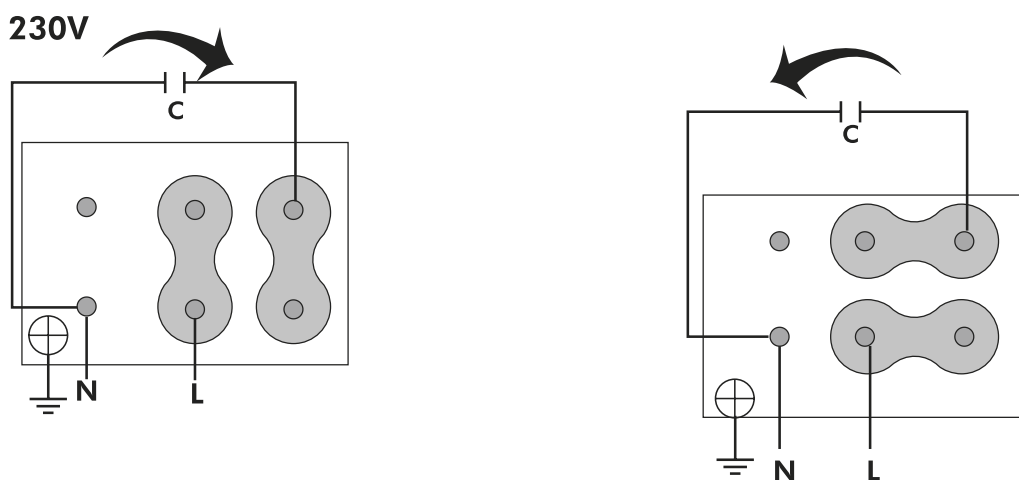
DIMENSIONS



Dimensions (mm)

C (Mot.T.63)	328	C (Mot.T.71)	328	C (Mot.T.80)	347	C (Mot.T.90L)	387	C (Mot.T.90S)	362
C (Mot.T.100L)	418	E	165	O	8X45°	ØA	525	ØB	500
ØD	452	ØJ	12						

WIRING DIAGRAM



ACCESSORIES



**Outlet protection guard for axial fans
RP0 450**
REF: 960001202



**PLASTIC GRAVITY SHUTTER
PCP 45**
REF: 963240105G



**CONNECTION FLANGE
AC 450**
REF: 960003213



**ANTI-VIBRATING FLANGE 400º/2H
BA-400 45**
REF: 960002055



**SQUARE MOUNTING FRAME FOR HB FANS
MC HB 45**
REF: 960003154



**ANTI-VIBRATION JOINT
JE 45**
REF: 300719201



**ALUMINIUM GRAVITY SHUTTER
PC2 50**
REF: PC25050



**CIRCULAR-CIRCULAR ANTI-VIBRATION FLANGE
BAD 12 (Ø450)**
REF: 960003462



**SAFETY SWITCH
INT (GENERIC)**



**INLET PROTECTION GUARD FOR AXIAL FANS
RP1 (GENERIC)**