

## HB 50 T6 (A0:6)

### GENERAL DATA



WALL FAN , VARIABLE PITCH BLADES

#### MANUFACTURING FEATURES:

- Plate axial fan with circular reinforced frame.
  - Motor-impeller modular assembly for complete versatility.
  - Corrosion-resistant powder coat polyester resin.
  - Standard asynchronous squirrel-cage motor with IP-55 protection and Class F insulation.
- Manufactured with standard voltages: 230V 50Hz in single phase motors and 230/400V 50Hz in three phase, motors up to 4kW and 400/690V 50Hz for higher powers.
- HB :Polypropylene impeller (A2 profile) or polyamide impeller reinforced with fibreglass (other profiles) with variable pitch angle.
  - HBA : Cast aluminum impeller with variable pitch angle.

#### APPLICATIONS:

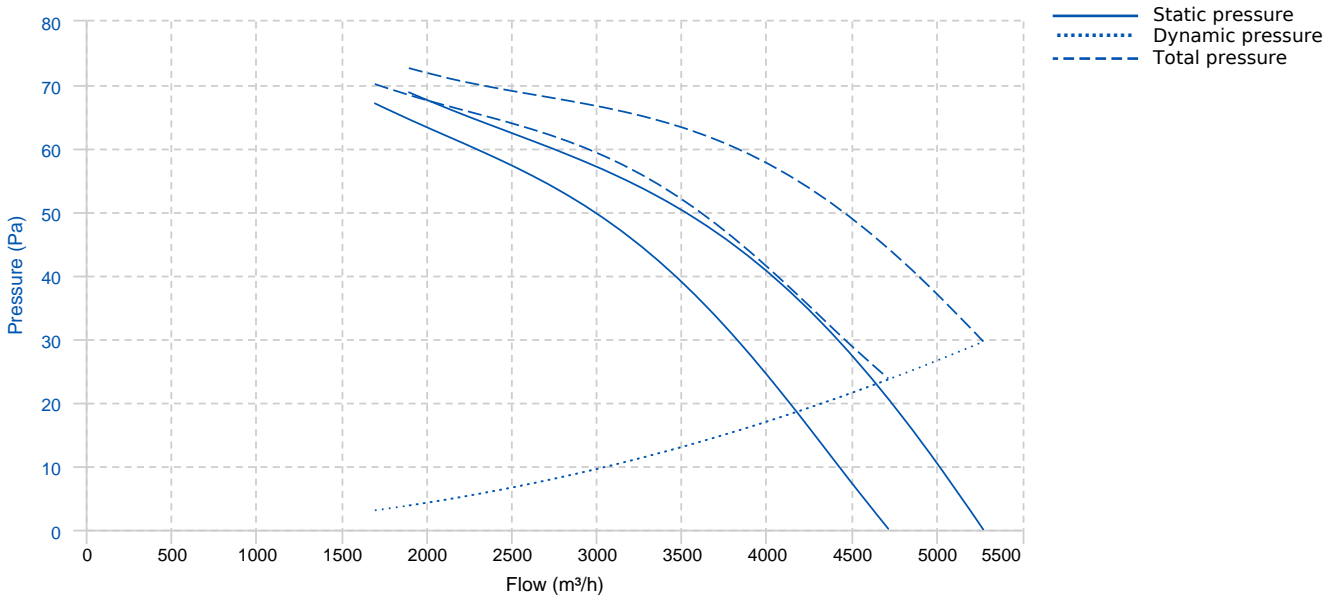
Designed for wall or duct installation, they are suitable for:

- Air renewal in buildings and industries.
- Maximum working temperature: 1ph 50°C, 3ph 60°C.

#### UNDER REQUEST:

- Supply impeller (air direction from impeller to motor)
- 100% reversible impeller.
- 60Hz fans and special voltages.
- Hot-dipped galvanized or stainless steel housing.

### PERFORMANCE CURVE



### TECHNICAL DATA

#### Fan

RPM

-

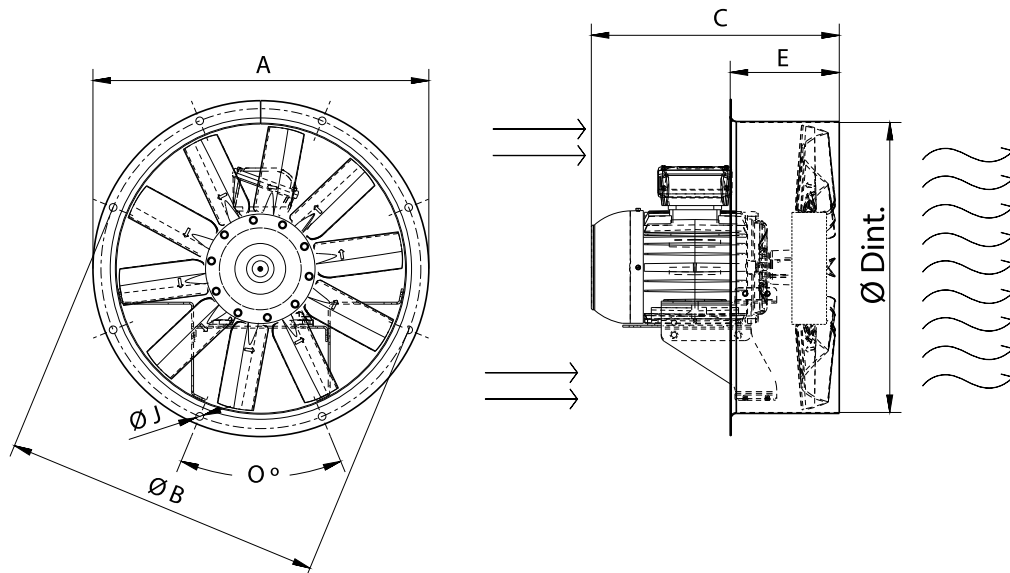
Approx. weight

-

Max. Flow

5270 m³/h

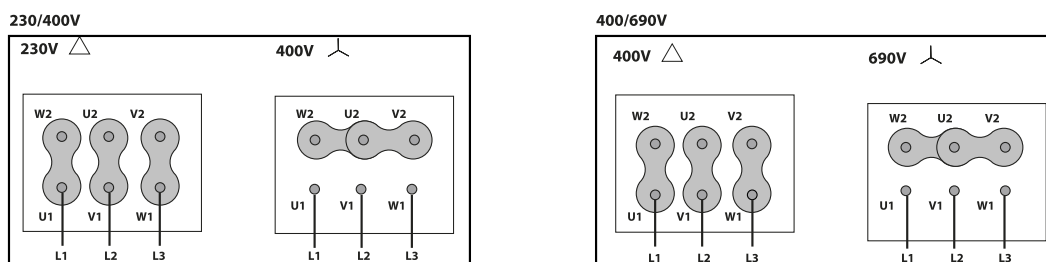
## DIMENSIONS



### Dimensions (mm)

|              |     |              |        |               |     |               |     |                |     |
|--------------|-----|--------------|--------|---------------|-----|---------------|-----|----------------|-----|
| C (Mot.T.71) | 338 | C (Mot.T.80) | 350    | C (Mot.T.90L) | 387 | C (Mot.T.90S) | 362 | C (Mot.T.100L) | 421 |
| E            | 165 | O            | 12x30° | ØA            | 600 | ØB            | 560 | ØD             | 504 |
| ØJ           | 12  |              |        |               |     |               |     |                |     |

## WIRING DIAGRAM



## ACCESSORIES



**CONNECTION FLANGE**  
AC 500  
REF: 960003214



**PLASTIC GRAVITY SHUTTER**  
PCP 50  
REF: 963240106G



**ANTI-VIBRATING FLANGE 400°/2H  
BA-400 50**  
REF: 960002064



**ANTI-VIBRATION JOINT  
JE 45**  
REF: 300719201



**ALUMINIUM GRAVITY SHUTTER  
PC2 50**  
REF: PC25050



**FREQUENCY SPEED CONTROLLER  
SFC (GENERIC)**



**INLET PROTECTION GUARD FOR AXIAL FANS  
RP1 (GENERIC)**



**SQUARE MOUNTING FRAME FOR HB FANS  
MC HB 50**  
REF: 960003155



**Outlet protection guard for axial fans  
RPO 500**  
REF: 960001203



**CIRCULAR-CIRCULAR ANTI-VIBRATION FLANGE  
BAD 13 (Ø500)**  
REF: 960003463



**SAFETY SWITCH  
INT (GENERIC)**