

# HB 56 M4 (A2:6)

## GENERAL DATA



WALL FAN , VARIABLE PITCH BLADES

**MANUFACTURING FEATURES:**

- Plate axial fan with circular reinforced frame.
  - Motor-impeller modular assembly for complete versatility.
  - Corrosion-resistant powder coat polyester resin.
  - Standard asynchronous squirrel-cage motor with IP-55 protection and Class F insulation.
- Manufactured with standard voltages: 230V 50Hz in single phase motors and 230/400V 50Hz in three phase, motors up to 4kW and 400/690V 50Hz for higher powers.
- HB :Polypropylene impeller (A2 profile) or polyamide impeller reinforced with fibreglass (other profiles) with variable pitch angle.
  - HBA : Cast aluminum impeller with variable pitch angle.

**APPLICATIONS:**

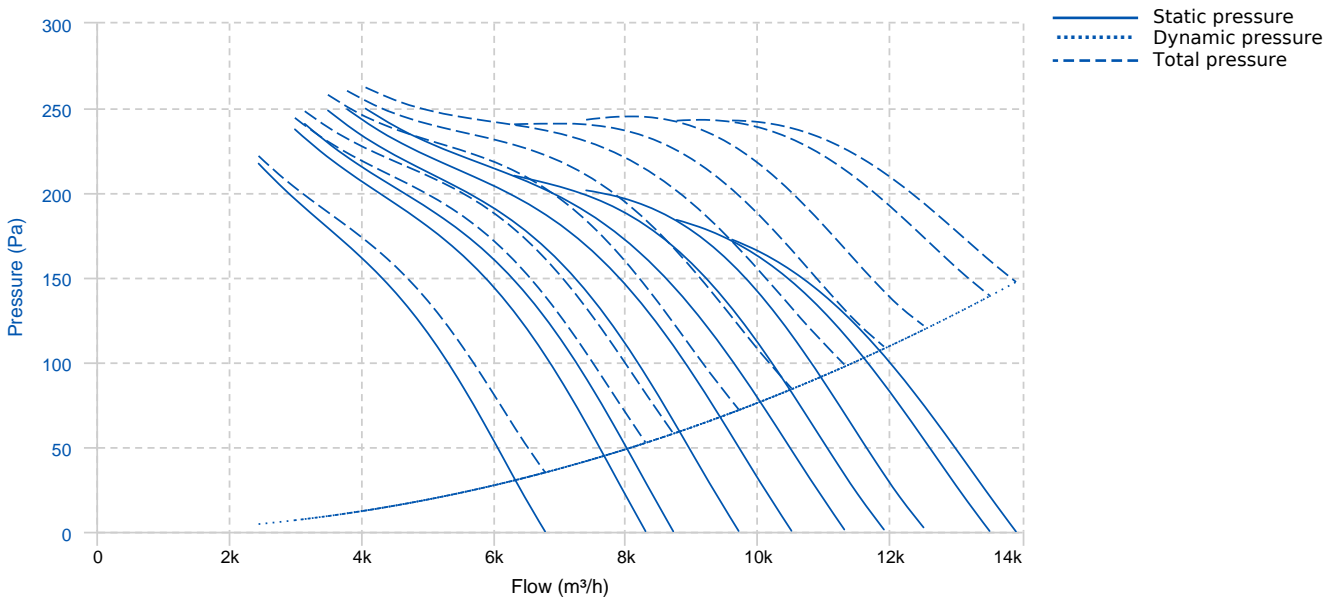
Designed for wall or duct installation, they are suitable for:

- Air renewal in buildings and industries.
- Maximum working temperature: 1ph 50°C, 3ph 60°C.

**UNDER REQUEST:**

- Supply impeller (air direction from impeller to motor)
- 100% reversible impeller.
- 60Hz fans and special voltages.
- Hot-dipped galvanized or stainless steel housing.

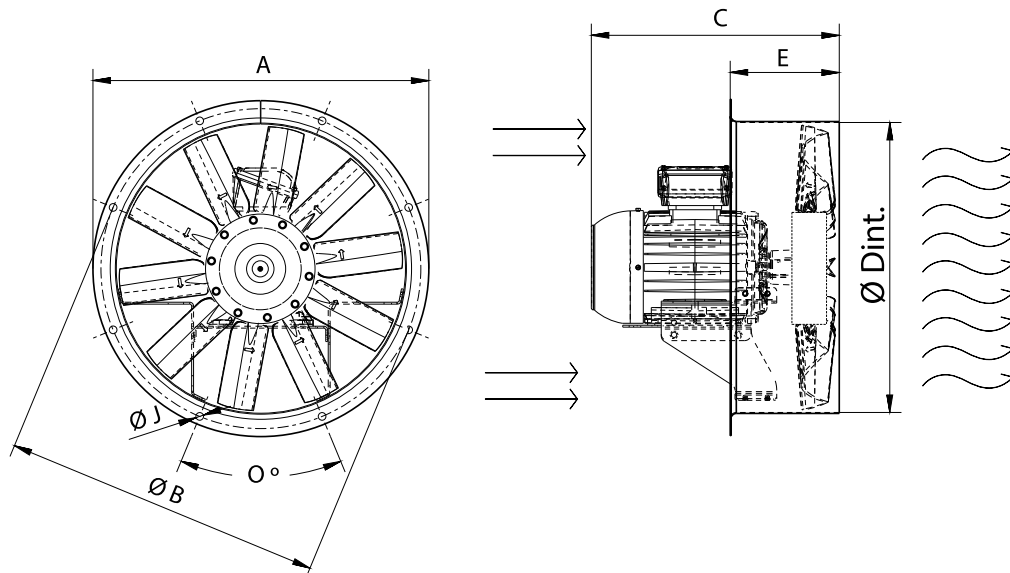
## PERFORMANCE CURVE



## TECHNICAL DATA

Fan					
RPM	-	Approx. weight	-	Max. Flow	13910 m³/h

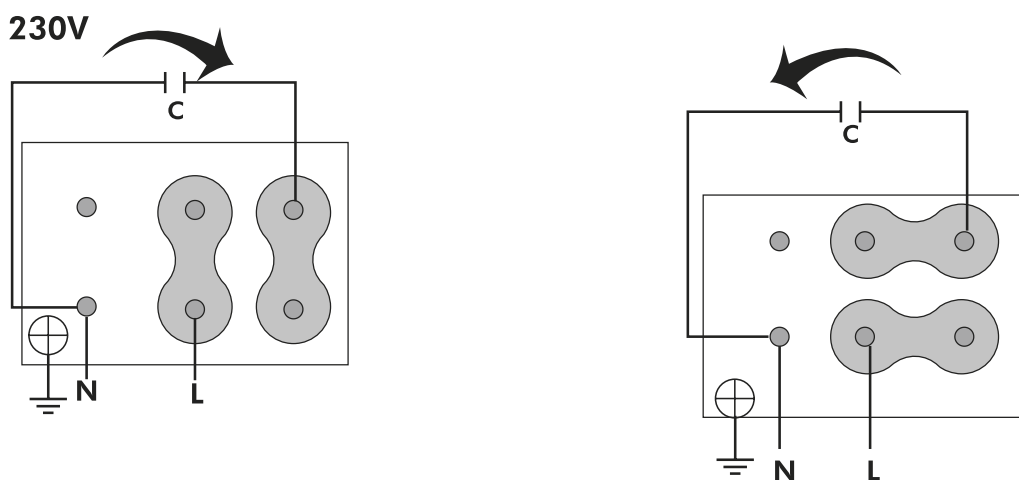
## DIMENSIONS



### Dimensions (mm)

C (Mot.T.71)	338	C (Mot.T.80)	352	C (Mot.T.90L)	387	C (Mot.T.90S)	362	C (Mot.T.100L)	423
E	175	Ø	12X30°	ØA	646	ØB	620	ØD	559
ØJ	12								

## WIRING DIAGRAM



**ACCESSORIES**



**Outlet protection guard for axial fans**  
**RP0 560**  
REF: 960001204



**PLASTIC GRAVITY SHUTTER**  
**PCP 56**  
REF: 963250105G



**CONNECTION FLANGE**  
**AC 560**  
REF: 960003215



**ANTI-VIBRATING FLANGE 400°/2H**  
**BA-400 56**  
REF: 960002056



**SQUARE MOUNTING FRAME FOR HB FANS**  
**MC HB 56**  
REF: 960003156



**ANTI-VIBRATION JOINT**  
**JE 45**  
REF: 300719201



**ALUMINIUM GRAVITY SHUTTER**  
**PC2 60**  
REF: PC26060



**CIRCULAR-CIRCULAR ANTI-VIBRATION FLANGE**  
**BAD 14 (Ø560)**  
REF: 960003464



**SAFETY SWITCH**  
**INT (GENERIC)**



**INLET PROTECTION GUARD FOR AXIAL FANS**  
**RP1 (GENERIC)**