

HB 71 T4 (A2:6)

GENERAL DATA



WALL FAN , VARIABLE PITCH BLADES

MANUFACTURING FEATURES:

- Plate axial fan with circular reinforced frame.
 - Motor-impeller modular assembly for complete versatility.
 - Corrosion-resistant powder coat polyester resin.
 - Standard asynchronous squirrel-cage motor with IP-55 protection and Class F insulation.
- Manufactured with standard voltages: 230V 50Hz in single phase motors and 230/400V 50Hz in three phase, motors up to 4kW and 400/690V 50Hz for higher powers.
- HB :Polypropylene impeller (A2 profile) or polyamide impeller reinforced with fibreglass (other profiles) with variable pitch angle.
 - HBA : Cast aluminum impeller with variable pitch angle.

APPLICATIONS:

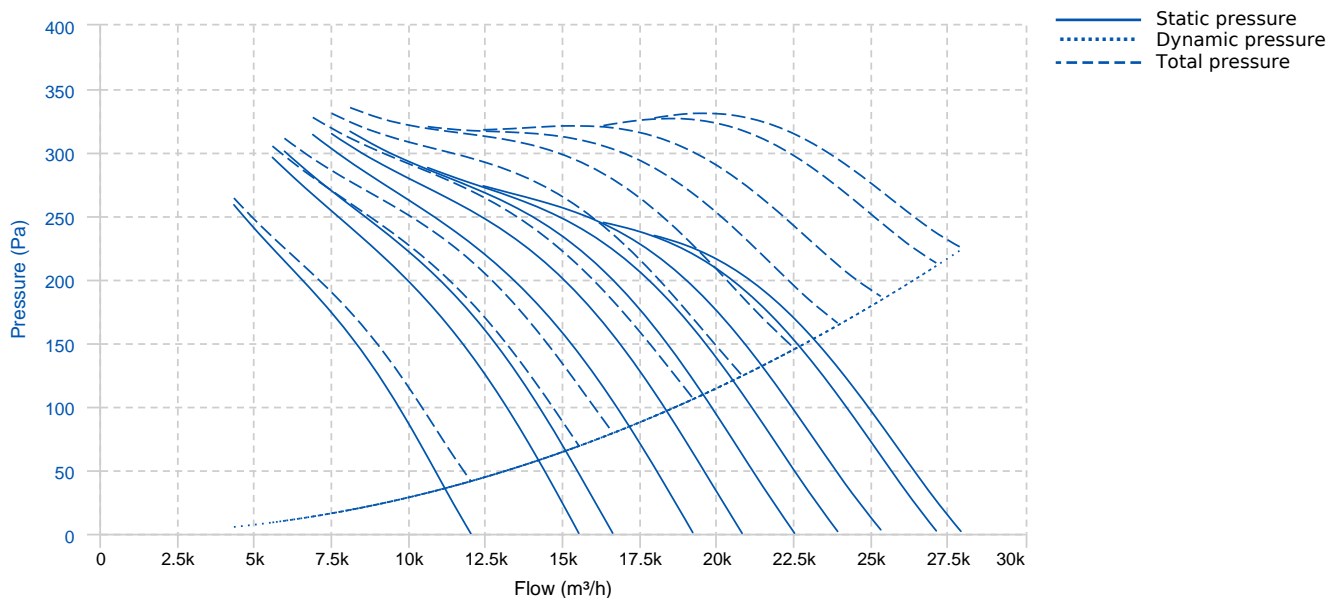
Designed for wall or duct installation, they are suitable for:

- Air renewal in buildings and industries.
- Maximum working temperature: 1ph 50°C, 3ph 60°C.

UNDER REQUEST:

- Supply impeller (air direction from impeller to motor)
- 100% reversible impeller.
- 60Hz fans and special voltages.
- Hot-dipped galvanized or stainless steel housing.

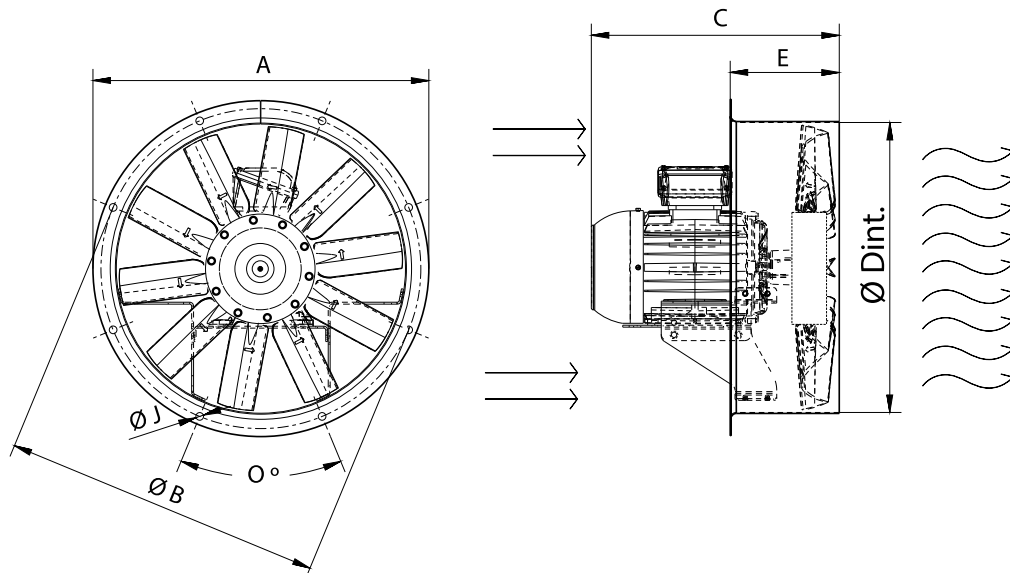
PERFORMANCE CURVE



TECHNICAL DATA

Fan					
RPM	-	Approx. weight	-	Max. Flow	27910 m³/h

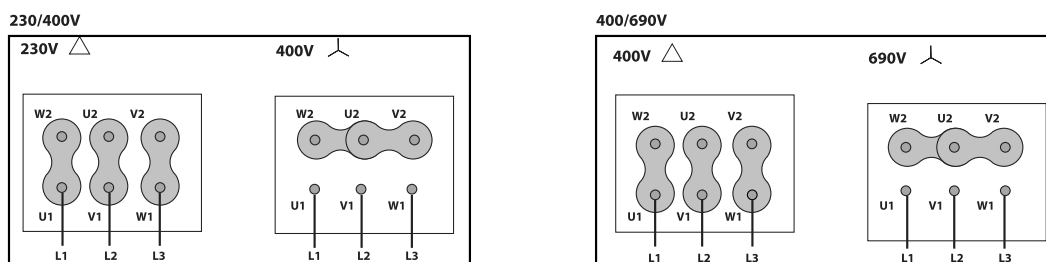
DIMENSIONS



Dimensions (mm)

C (Mot.T.80)	357	C (Mot.T.90L)	416	C (Mot.T.90S)	391	C (Mot.T.100L)	447	C (Mot.T.112M)	468
E	190	O	16x22,5 ^ø	ØA	802	ØB	770	ØD	715
ØJ	12								

WIRING DIAGRAM



ACCESSORIES



Outlet protection guard for axial fans
RP0 710
REF: 960001206



PLASTIC GRAVITY SHUTTER
PCP 71
REF: 963260105



CONNECTION FLANGE
AC 710
REF: 960003217



SQUARE MOUNTING FRAME FOR HB FANS
MC HB 71
REF: 960003158



ALUMINIUM GRAVITY SHUTTER
PC2 80
REF: PC28080



FREQUENCY SPEED CONTROLLER
SFC (GENERIC)



INLET PROTECTION GUARD FOR AXIAL FANS
RP1 (GENERIC)



ANTI-VIBRATING FLANGE 400^º/2H
BA-400 71
REF: 960002058



ANTI-VIBRATION JOINT
JE 45
REF: 300719201



CIRCULAR-CIRCULAR ANTI-VIBRATION FLANGE
BAD 16 (Ø710)
REF: 960003466



SAFETY SWITCH
INT (GENERIC)