

## HBF 50 T4 (A2:9) F300

### GENERAL DATA



#### AXIAL FAN 300°C/2h

#### MANUFACTURING FEATURES

- Axial fan with circular reinforced frame.
- Modular motor-impeller assembly.
- Cast aluminium impeller with variable pitch angle. Polyester powder finishing coat.
- Standard asynchronous squirrel cage motor with IP-55 protection and Class H insulation certified 300°C/2h. Standard voltages 400V(Y) 50Hz in three phase motors up to 3kW and 400V 50Hz for higher powers and 2 speed motors. IE3 efficiency motor from 0,75kW up to 45kW in single speed

#### APPLICATIONS

Designed for wall or duct installation, they are suitable for:

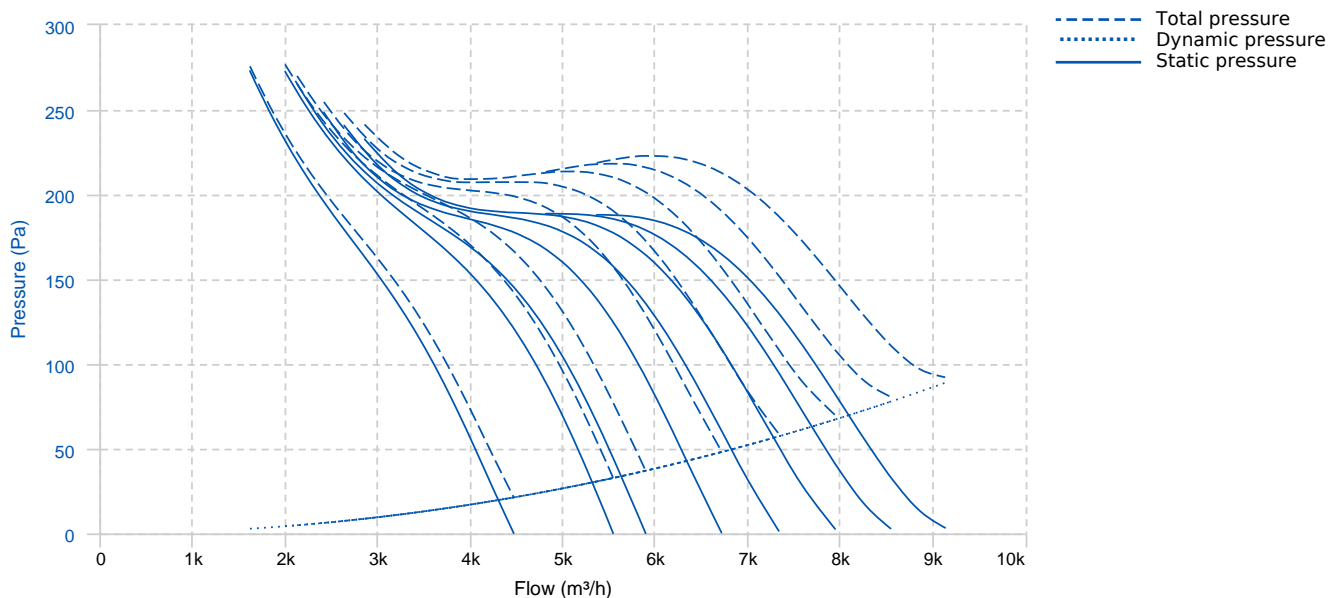
- Smoke emergency exhaust with motor inside the hazardous area.
- Maximum working temperature: 60°C.

#### UNDER REQUEST

- B Form impeller (air flow from impeller to motor).
- 100% reversible impeller.

Official homologation by the European laboratory APPLUS according to EN 12101-3:2015 Certification Nr: 0370-CPR-2402

### PERFORMANCE CURVE



### TECHNICAL DATA

#### Fan

RPM

-

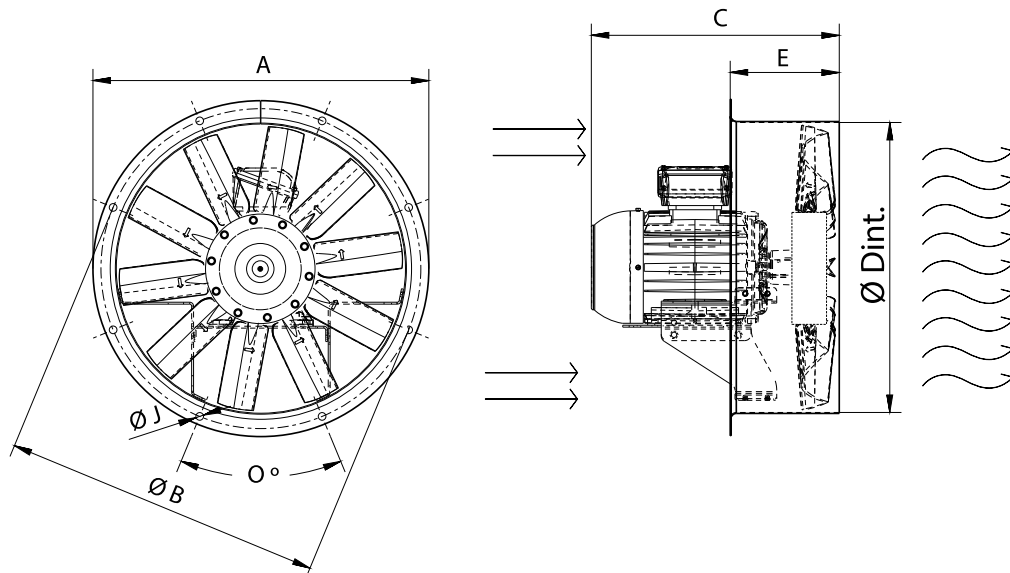
Approx. weight

-

Max. Flow

10110 m³/h

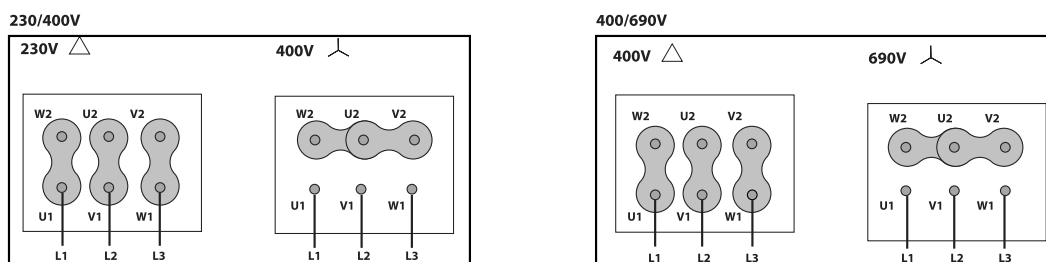
## DIMENSIONS



### Dimensions (mm)

C (Mot.T.71)	338	C (Mot.T.80)	350	C (Mot.T.90L)	387	C (Mot.T.90S)	362	C (Mot.T.100L)	421
E	165	O	12x30°	ØA	600	ØB	560	ØD	504
ØJ	12								

## WIRING DIAGRAM



## ACCESSORIES



**CONNECTION FLANGE  
AC 500**  
REF: 960003214



**ANTI-VIBRATING FLANGE 400°/2H  
BA-400 50**  
REF: 960002064



**SQUARE MOUNTING FRAME FOR HB FANS**  
**MC HB 50**  
REF: 960003155



**ANTI-VIBRATION JOINT**  
**JE 45**  
REF: A-300719201



**Outlet protection guard for axial fans**  
**RP0 500**  
REF: 960001203



**ALUMINIUM GRAVITY SHUTTER**  
**PC2 50**  
REF: PC25050



**CIRCULAR-CIRCULAR ANTI-VIBRATION FLANGE**  
**BAD 13 (Ø500)**  
REF: 960003463



**FREQUENCY SPEED CONTROLLER**  
**SFC (GENERIC)**



**SAFETY SWITCH**  
**INT (GENERIC)**



**SAFETY SWITCH FOR 400°C/2h**  
**INT F400 (GENERIC)**



**INLET PROTECTION GUARD FOR AXIAL FANS**  
**RP1 (GENERIC)**