

HBF 63 T4 (A2:9) F300

GENERAL DATA



AXIAL FAN 300°C/2h

MANUFACTURING FEATURES

- Axial fan with circular reinforced frame.
- Modular motor-impeller assembly.
- Cast aluminium impeller with variable pitch angle. Polyester powder finishing coat.
- Standard asynchronous squirrel cage motor with IP-55 protection and Class H insulation certified 300°C/2h. Standard voltages 400V(Y) 50Hz in three phase motors up to 3kW and 400V 50Hz for higher powers and 2 speed motors. IE3 efficiency motor from 0,75kW up to 45kW in single speed

APPLICATIONS

Designed for wall or duct installation, they are suitable for:

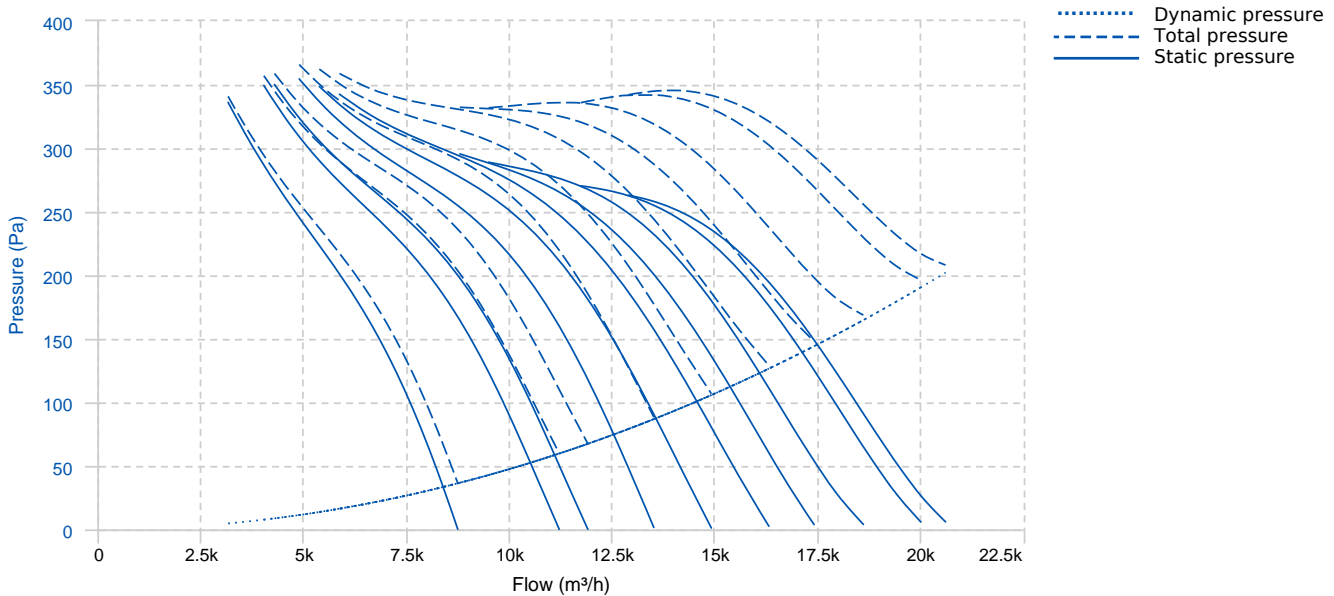
- Smoke emergency exhaust with motor inside the hazardous area.
- Maximum working temperature: 60°C.

UNDER REQUEST

- B Form impeller (air flow from impeller to motor).
- 100% reversible impeller.

Official homologation by the European laboratory APPLUS according to EN 12101-3:2015 Certification Nr: 0370-CPR-2402

PERFORMANCE CURVE



TECHNICAL DATA

Fan

RPM

-

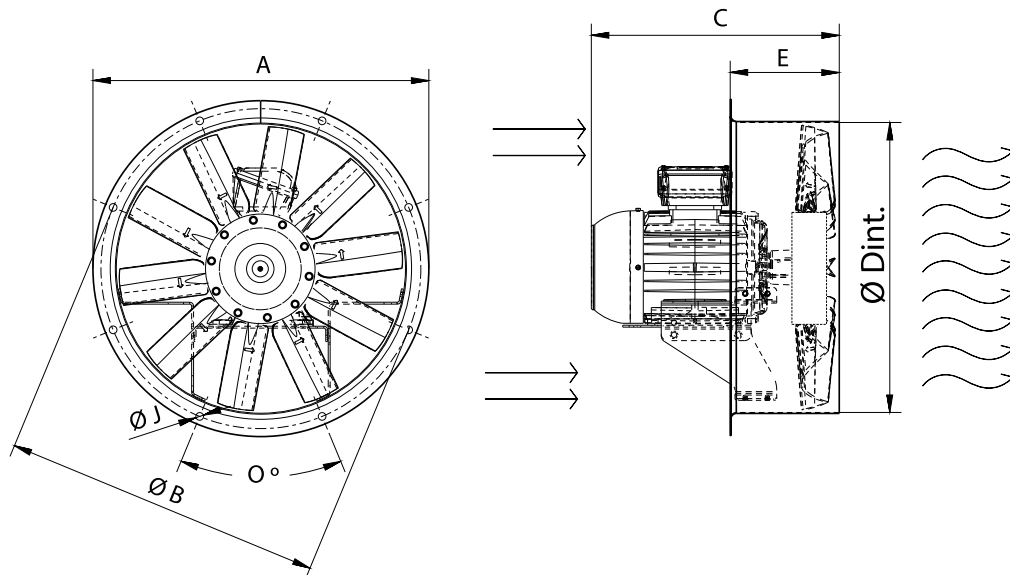
Approx. weight

-

Max. Flow

20610 m³/h

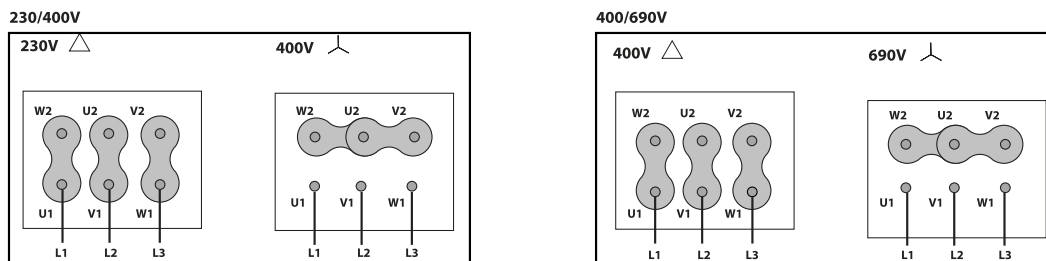
DIMENSIONS



Dimensions (mm)

C (Mot.T.80)	352	C (Mot.T.90L)	411	C (Mot.T.90S)	386	C (Mot.T.100L)	442	C (Mot.T.112M)	463
E	185	O	12X30 ^º	ØA	725	ØB	690	ØD	633
ØJ	12								

WIRING DIAGRAM



ACCESSORIES



Outlet protection guard for axial fans
RP0 630
REF: 960001205



CONNECTION FLANGE
AC 630
REF: 960003216



**ANTI-VIBRATING FLANGE 400°/2H
BA-400 63**
REF: 960002057



**ANTI-VIBRATION JOINT
JE 45**
REF: A-300719201



**CIRCULAR-CIRCULAR ANTI-VIBRATION FLANGE
BAD 15 (Ø630)**
REF: 960003465



**SAFETY SWITCH
INT (GENERIC)**



**INLET PROTECTION GUARD FOR AXIAL FANS
RP1 (GENERIC)**



**SQUARE MOUNTING FRAME FOR HB FANS
MC HB 63**
REF: 960003157



**ALUMINIUM GRAVITY SHUTTER
PC2 70**
REF: PC27070



**FREQUENCY SPEED CONTROLLER
SFC (GENERIC)**



**SAFETY SWITCH FOR 400°C/2h
INT F400 (GENERIC)**