

# HBF 71 T4 (A2:9) F300

## GENERAL DATA



### AXIAL FAN 300°C/2h

#### MANUFACTURING FEATURES

- Axial fan with circular reinforced frame.
- Modular motor-impeller assembly.
- Cast aluminium impeller with variable pitch angle. Polyester powder finishing coat.
- Standard asynchronous squirrel cage motor with IP-55 protection and Class H insulation certified 300°C/2h. Standard voltages 400V(Y) 50Hz in three phase motors up to 3kW and 400V 50Hz for higher powers and 2 speed motors. IE3 efficiency motor from 0,75kW up to 45kW in single speed

#### APPLICATIONS

Designed for wall or duct installation, they are suitable for:

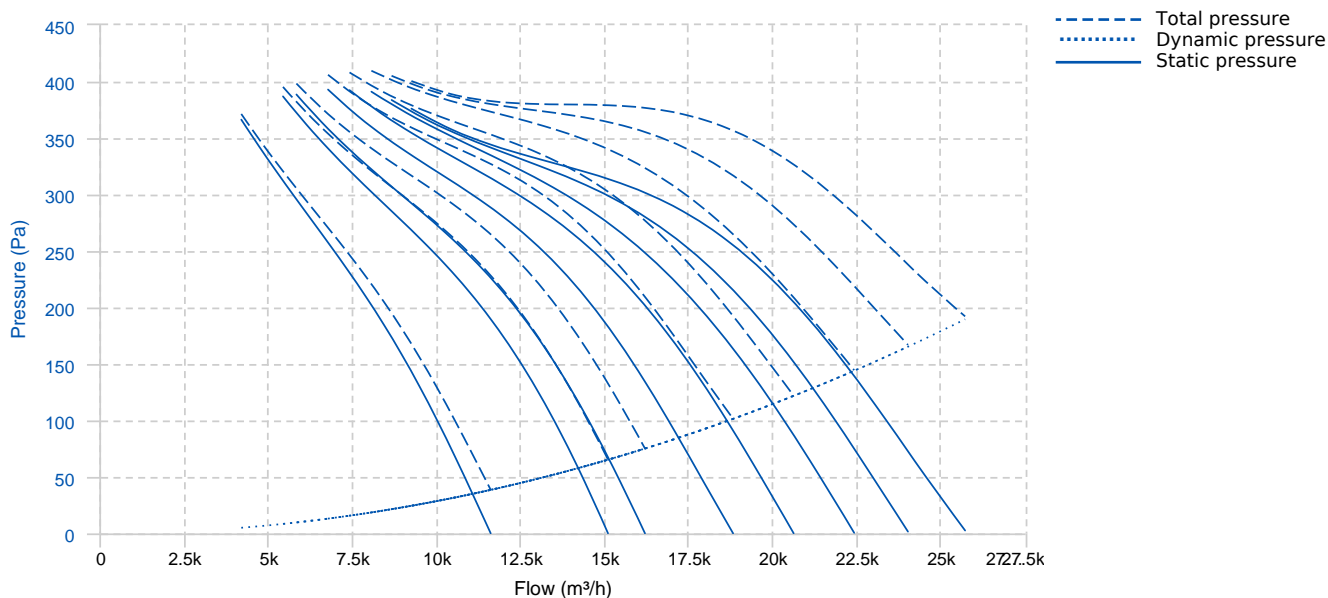
- Smoke emergency exhaust with motor inside the hazardous area.
- Maximum working temperature: 60°C.

#### UNDER REQUEST

- B Form impeller (air flow from impeller to motor).
- 100% reversible impeller.

Official homologation by the European laboratory APPLUS according to EN 12101-3:2015 Certification Nr: 0370-CPR-2402

## PERFORMANCE CURVE



## TECHNICAL DATA

### Fan

RPM

-

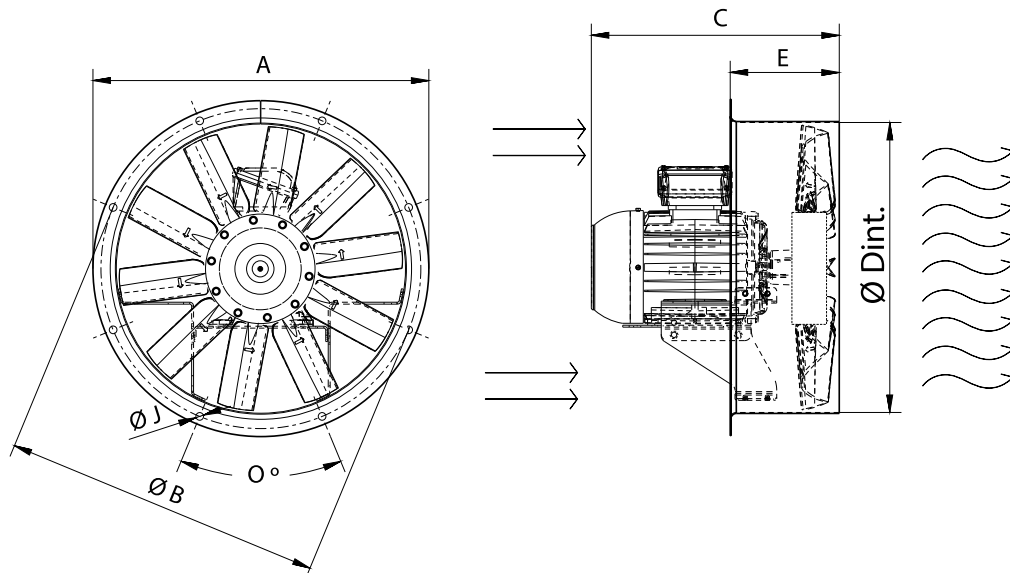
Approx. weight

-

Max. Flow

28710 m³/h

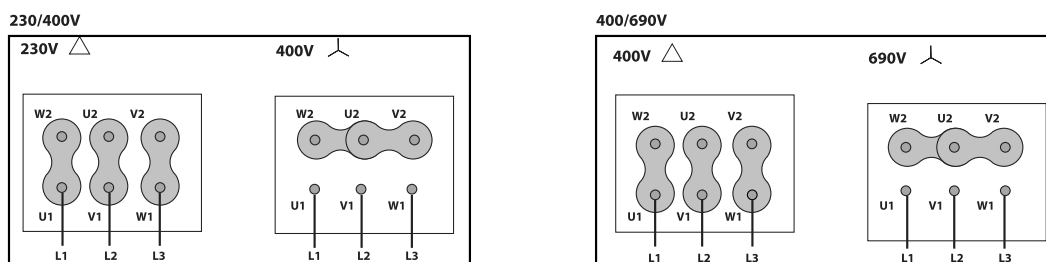
## DIMENSIONS



### Dimensions (mm)

C (Mot.T.80)	357	C (Mot.T.90L)	416	C (Mot.T.90S)	391	C (Mot.T.100L)	447	C (Mot.T.112M)	468
E	190	O	16x22,5 <sup>ø</sup>	ØA	802	ØB	770	ØD	715
ØJ	12								

## WIRING DIAGRAM



## ACCESSORIES



**Outlet protection guard for axial fans**  
**RP0 710**  
**REF: 960001206**



**CONNECTION FLANGE**  
**AC 710**  
**REF: 960003217**



**ANTI-VIBRATING FLANGE 400°/2H  
BA-400 71**  
REF: 960002058



**ANTI-VIBRATION JOINT  
JE 45**  
REF: A-300719201



**CIRCULAR-CIRCULAR ANTI-VIBRATION FLANGE  
BAD 16 (Ø710)**  
REF: 960003466



**SAFETY SWITCH  
INT (GENERIC)**



**INLET PROTECTION GUARD FOR AXIAL FANS  
RP1 (GENERIC)**



**SQUARE MOUNTING FRAME FOR HB FANS  
MC HB 71**  
REF: 960003158



**ALUMINIUM GRAVITY SHUTTER  
PC2 80**  
REF: PC28080



**FREQUENCY SPEED CONTROLLER  
SFC (GENERIC)**



**SAFETY SWITCH FOR 400°C/2h  
INT F400 (GENERIC)**