

HBX 45 T4 (A0:6) Zone 2: FAN (Ex h IIB T3 Gc) + MOTOR (Ex ec IIC T3 Gc)

GENERAL DATA



AXIAL WALL ATEX FAN

MANUFACTURING FEATURES:

- Plate axial fan, circular reinforced frame.
- Motor-impeller assembly through modular system.
- Cast aluminium impeller.
- Corrosion-resistant powder coat polyester resin.
- Motor ATEX asíncrono normalizado. Certificado según zona indicada, . IP55 protection and class F insulation. Manufactured with standard voltages: 230/400V 50Hz for three phase motors up to 4kW and 400/690V 50Hz for higher powers

APPLICATIONS:

Designed for wall or duct installation, they are suitable for:

- Fan for ventilations ATEX zones
- Smoke extraction (max 40°C).
- Working temperature: ambient from -20°C to 40°C

UNDER REQUEST:

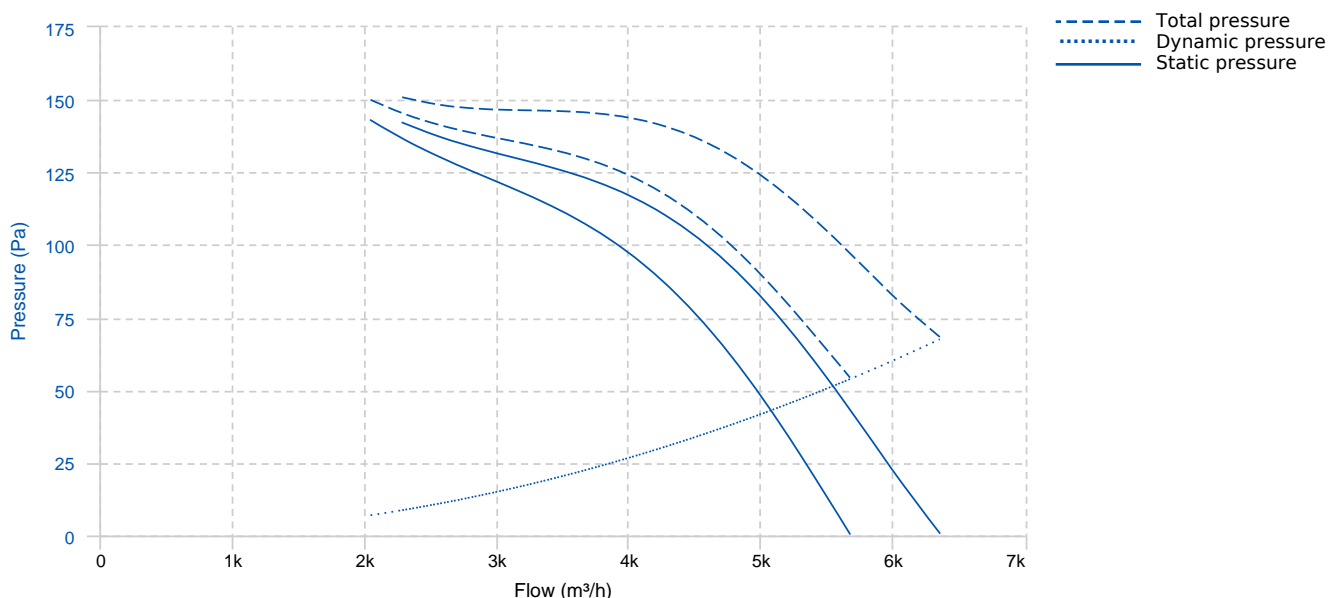
- B Form impeller (air sense from impeller to motor). 100% reversible impeller.

ORGANISM: L.O.M.

CERTIFICATE Nº: LOM 17.755X-C

In compliance with the Directive 2014/34/UE

PERFORMANCE CURVE

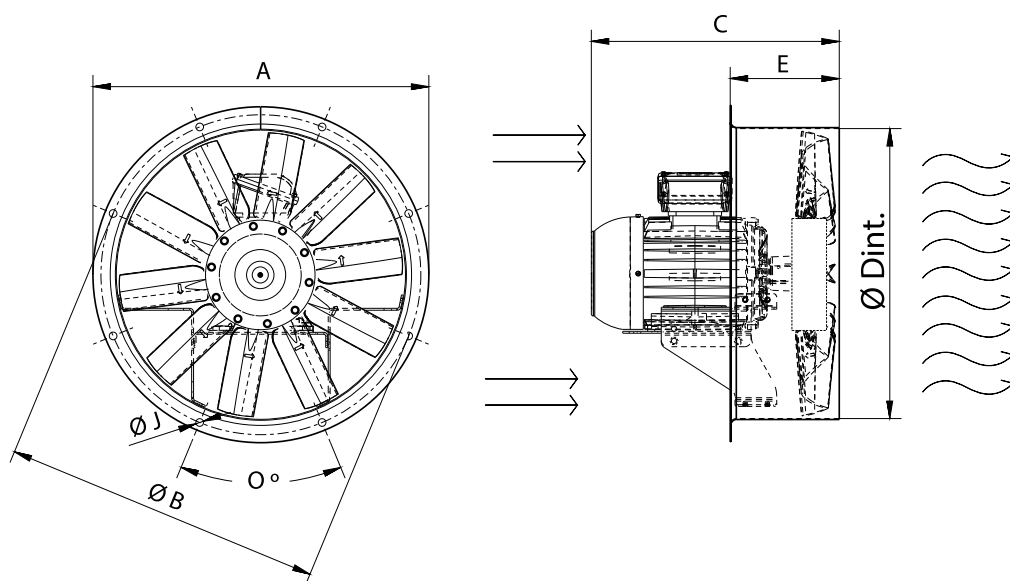


TECHNICAL DATA

Fan

RPM	-	Approx. weight	-	Max. Flow	6360 m ³ /h
-----	---	----------------	---	-----------	------------------------

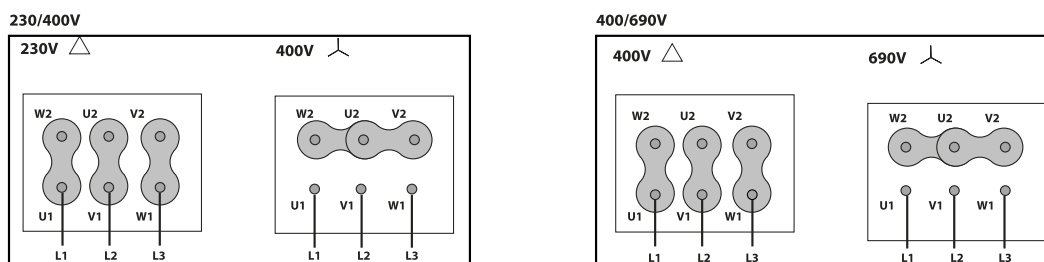
DIMENSIONS



Dimensions (mm)

C (Mot.T.63)	328	C (Mot.T.71)	328	C (Mot.T.80)	347	C (Mot.T.90L)	387	C (Mot.T.90S)	362
C (Mot.T.100L)	418	E	165	O	8X45°	ØA	525	ØB	500
ØD	452	ØJ	12						

WIRING DIAGRAM



ACCESSORIES



Outlet protection guard for axial fans
RP0 450
 REF: 960001202



PLASTIC GRAVITY SHUTTER
PCP 45
 REF: 963240105G



CONNECTION FLANGE
AC 450
 REF: 960003213



ANTI-VIBRATING FLANGE 400^ø/2H
BA-400 45
 REF: 960002055



SQUARE MOUNTING FRAME FOR HB FANS
MC HB 45
 REF: 960003154



ALUMINIUM GRAVITY SHUTTER
PC2 50
 REF: PC25050



CIRCULAR-CIRCULAR ANTI-VIBRATION FLANGE
BAD 12 (Ø450)
 REF: 960003462



FREQUENCY SPEED CONTROLLER
SFC (GENERIC)



ATEX SWITCH
INT ATEX (GENERIC)



INLET PROTECTION GUARD FOR AXIAL FANS
RP1 (GENERIC)