

HBX 56 T4 (A5:6) Zone 2: FAN (Ex h IIB T3 Gc) + MOTOR (Ex ec IIC T3 Gc)

GENERAL DATA



AXIAL WALL ATEX FAN

MANUFACTURING FEATURES:

- Plate axial fan, circular reinforced frame.
- Motor-impeller assembly through modular system.
- Cast aluminium impeller.
- Corrosion-resistant powder coat polyester resin.
- Motor ATEX asíncrono normalizado. Certificado según zona indicada, . IP55 protection and class F insulation. Manufactured with standard voltages: 230/400V 50Hz for three phase motors up to 4kW and 400/690V 50Hz for higher powers

APPLICATIONS:

Designed for wall or duct installation, they are suitable for:

- Fan for ventilations ATEX zones
- Smoke extraction (max 40°C).
- Working temperature: ambient from -20°C to 40°C

UNDER REQUEST:

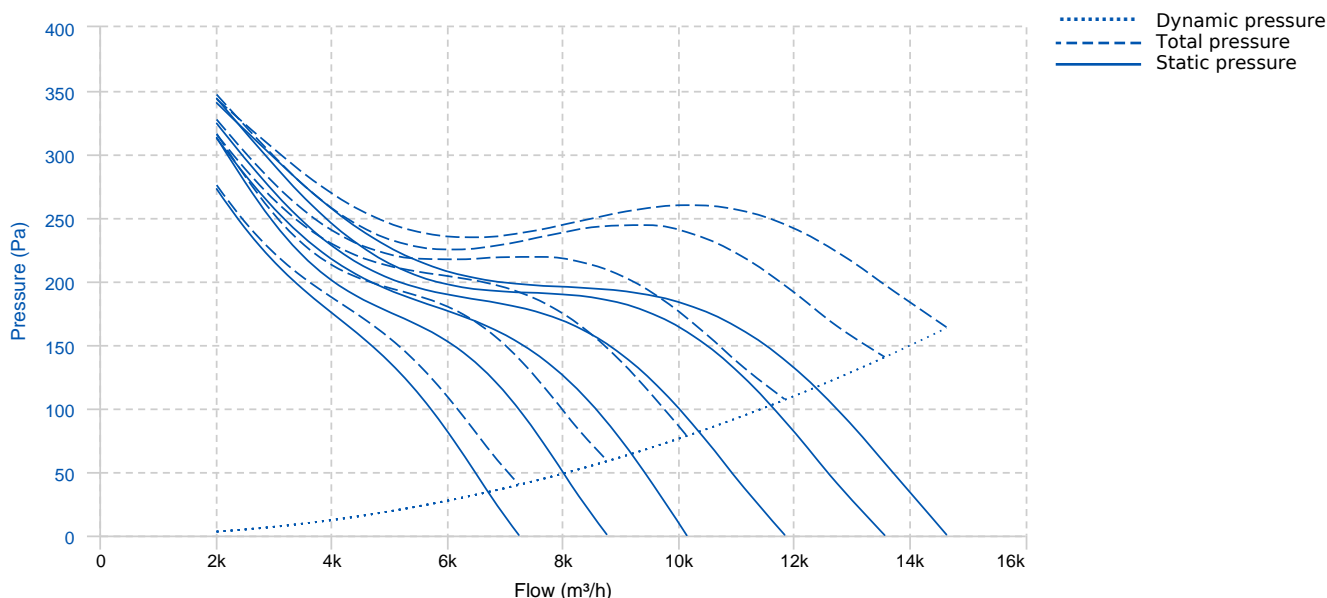
- B Form impeller (air sense from impeller to motor). 100% reversible impeller.

ORGANISM: L.O.M.

CERTIFICATE Nº: LOM 17.755X-C

In compliance with the Directive 2014/34/UE

PERFORMANCE CURVE

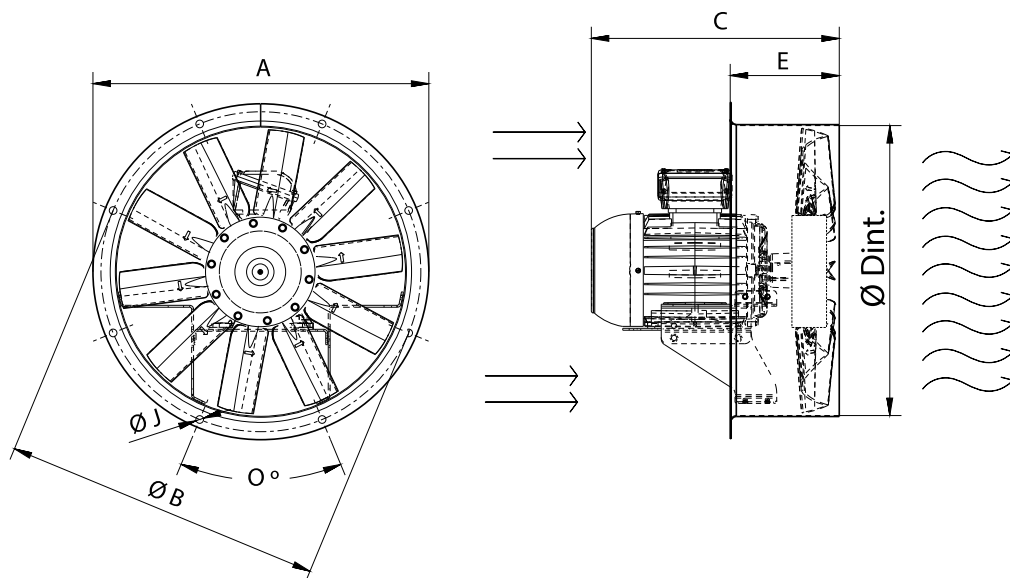


TECHNICAL DATA

Fan

RPM	-	Approx. weight	-	Max. Flow	14640 m ³ /h
-----	---	----------------	---	-----------	-------------------------

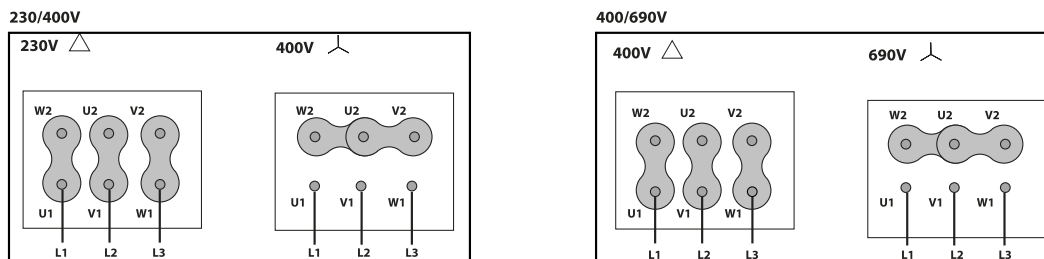
DIMENSIONS



Dimensions (mm)

C (Mot.T.71)	338	C (Mot.T.80)	352	C (Mot.T.90L)	387	C (Mot.T.90S)	362	C (Mot.T.100L)	423
E	175	O	12X30°	ØA	646	ØB	620	ØD	559
ØJ	12								

WIRING DIAGRAM



ACCESSORIES



Outlet protection guard for axial fans
RP0 560
 REF: 960001204



PLASTIC GRAVITY SHUTTER
PCP 56
 REF: 963250105G



CONNECTION FLANGE
AC 560
 REF: 960003215



ANTI-VIBRATING FLANGE 400°/2H
BA-400 56
 REF: 960002056



SQUARE MOUNTING FRAME FOR HB FANS
MC HB 56
 REF: 960003156



ALUMINIUM GRAVITY SHUTTER
PC2 60
 REF: PC26060



CIRCULAR-CIRCULAR ANTI-VIBRATION FLANGE
BAD 14 (Ø560)
 REF: 960003464



FREQUENCY SPEED CONTROLLER
SFC (GENERIC)



ANTI-VIBRATION SPRING BLOCK
AVS (GENERIC)



ATEX SWITCH
INT ATEX (GENERIC)



INLET PROTECTION GUARD FOR AXIAL FANS
RP1 (GENERIC)