

# HBX 63 T4 (A5:6) Zone 2: FAN (Ex h IIB T3 Gc) + MOTOR (Ex ec IIC T3 Gc)

## GENERAL DATA



### AXIAL WALL ATEX FAN

#### MANUFACTURING FEATURES:

- Plate axial fan, circular reinforced frame.
- Motor-impeller assembly through modular system.
- Cast aluminium impeller.
- Corrosion-resistant powder coat polyester resin.
- Motor ATEX asíncrono normalizado. Certificado según zona indicada, . IP55 protection and class F insulation. Manufactured with standard voltages: 230/400V 50Hz for three phase motors up to 4kW and 400/690V 50Hz for higher powers

#### APPLICATIONS:

Designed for wall or duct installation, they are suitable for:

- Fan for ventilations ATEX zones
- Smoke extraction (max 40°C).
- Working temperature: ambient from -20°C to 40°C

#### UNDER REQUEST:

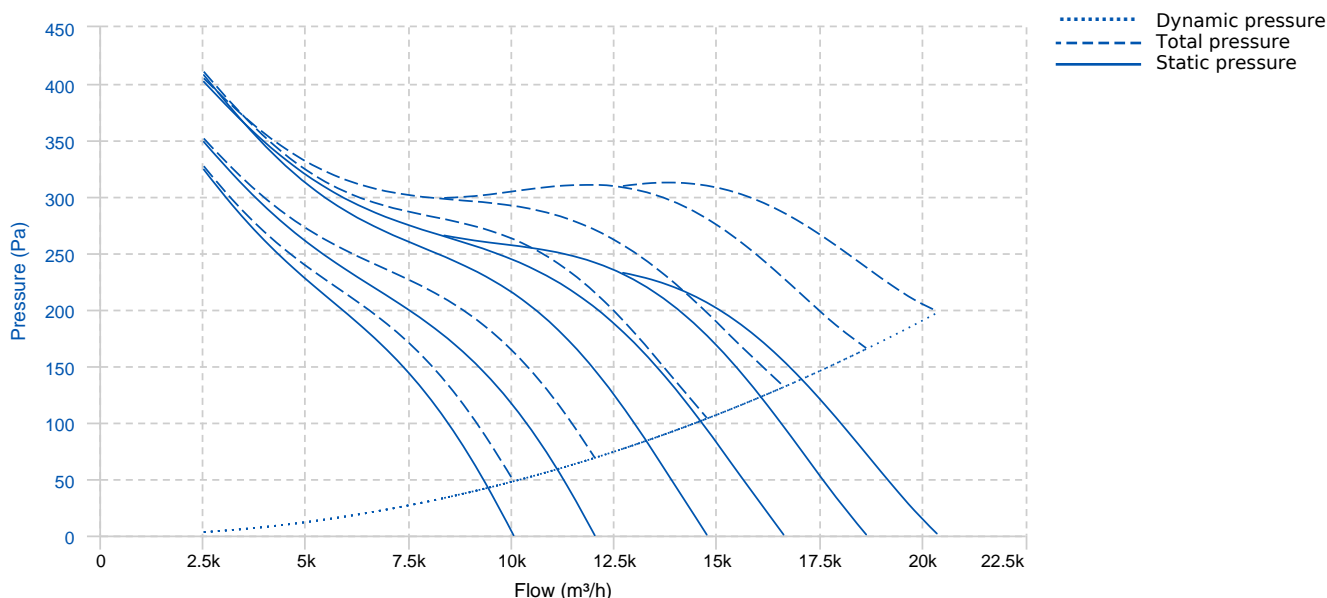
- B Form impeller (air sense from impeller to motor). 100% reversible impeller.

ORGANISM: L.O.M.

CERTIFICATE Nº: LOM 17.755X-C

In compliance with the Directive 2014/34/UE

## PERFORMANCE CURVE

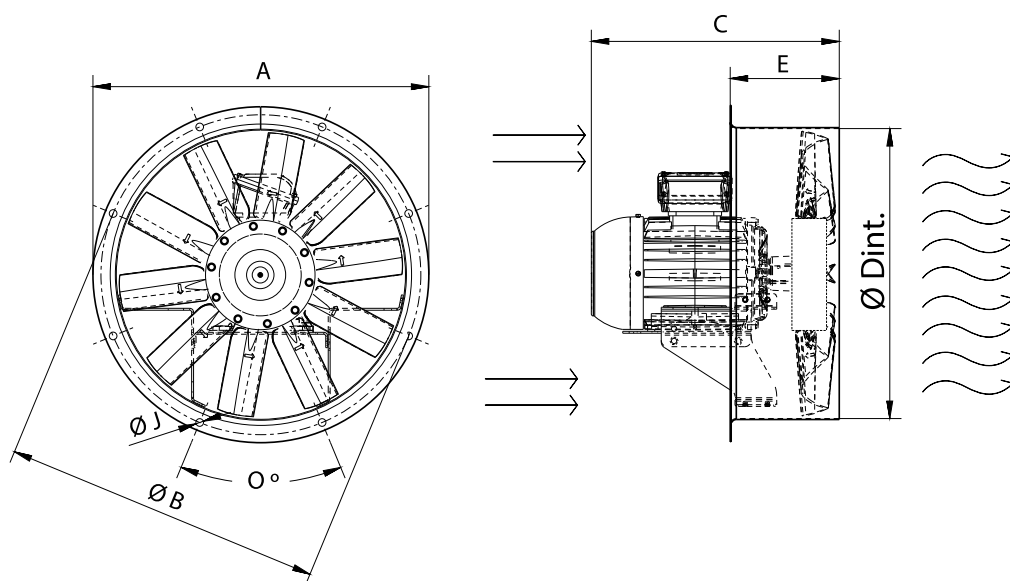


## TECHNICAL DATA

### Fan

RPM	-	Approx. weight	-	Max. Flow	20350 m <sup>3</sup> /h
-----	---	----------------	---	-----------	-------------------------

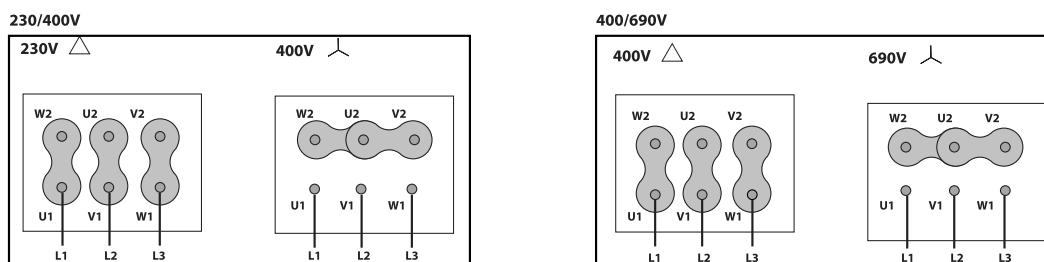
## DIMENSIONS



### Dimensions (mm)

C (Mot.T.80)	352	C (Mot.T.90L)	411	C (Mot.T.90S)	386	C (Mot.T.100L)	442	C (Mot.T.112M)	463
E	185	O	12X30°	ØA	725	ØB	690	ØD	633
ØJ	12								

## WIRING DIAGRAM



## ACCESSORIES



**Outlet protection guard for axial fans**  
**RP0 630**  
 REF: 960001205



**CONECTION FLANGE**  
**AC 630**  
 REF: 960003216



**ANTI-VIBRATING FLANGE 400°/2H**  
**BA-400 63**  
 REF: 960002057



**PLASTIC GRAVITY SHUTTER**  
**PCP 63**  
 REF: 963250106G



**SQUARE MOUNTING FRAME FOR HB FANS**  
**MC HB 63**  
 REF: 960003157



**ALUMINIUM GRAVITY SHUTTER**  
**PC2 70**  
 REF: PC27070



**CIRCULAR-CIRCULAR ANTI-VIBRATION FLANGE**  
**BAD 15 (Ø630)**  
 REF: 960003465



**FREQUENCY SPEED CONTROLLER**  
**SFC (GENERIC)**



**ANTI-VIBRATION SPRING BLOCK**  
**AVS (GENERIC)**



**ATEX SWITCH**  
**INT ATEX (GENERIC)**



**INLET PROTECTION GUARD FOR AXIAL FANS**  
**RP1 (GENERIC)**