

# HBX 63 T6 (A5:6) 0,75kW 45° Zone 2: FAN (Ex h IIB T3 Gc) + MOTOR (Ex ec IIC T3 Gc) (26065465645XN)

## GENERAL DATA



### AXIAL WALL ATEX FAN

#### MANUFACTURING FEATURES:

- Plate axial fan, circular reinforced frame.
- Motor-impeller assembly through modular system.
- Cast aluminium impeller.
- Corrosion-resistant powder coat polyester resin.
- Motor ATEX asíncrono normalizado. Certificado según zona indicada, . IP55 protection and class F insulation. Manufactured with standard voltages: 230/400V 50Hz in three phase motors up to 4kW and 400/690V 50Hz for higher powers.

#### APPLICATIONS:

Designed for wall or duct installation, they are suitable for:

- Fan for ventilations ATEX zones
- Smoke extraction (max 40°C).
- Working temperature: ambient from -20°C to 40°C

#### UNDER REQUEST:

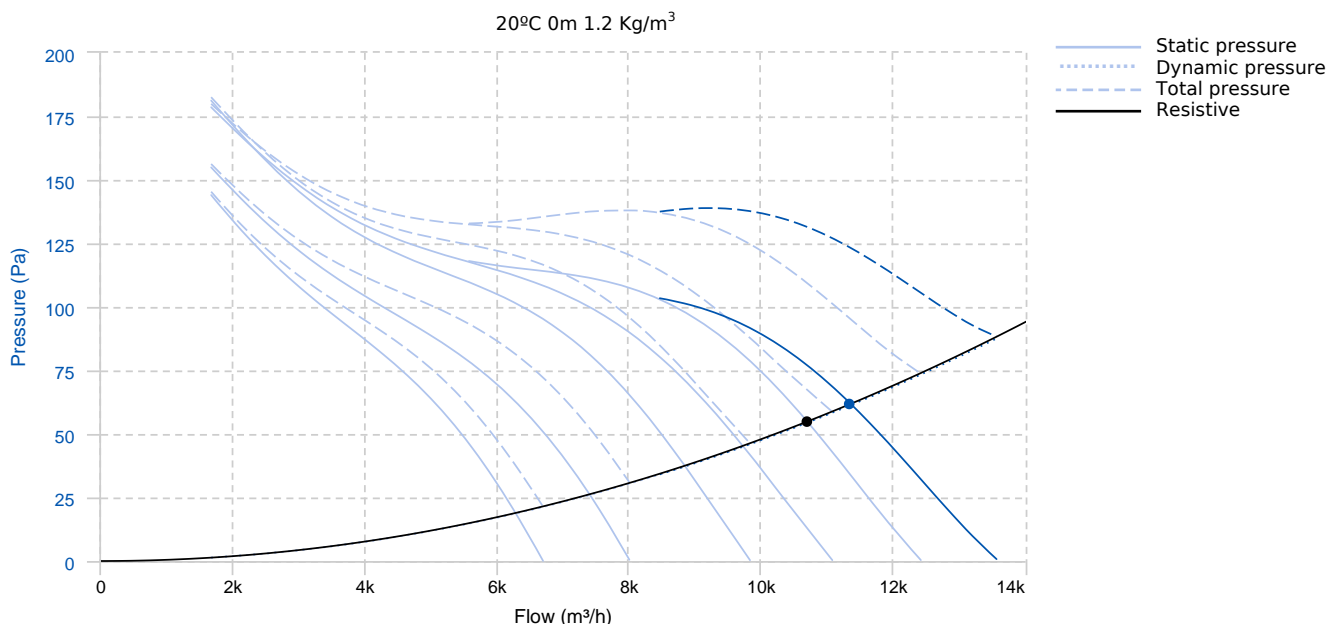
- B Form impeller (air sense from impeller to motor). 100% reversible impeller.

ORGANISM: L.O.M.

CERTIFICATE Nº: LOM 17.755X-C

In compliance with the Directive 2014/34/UE

## PERFORMANCE CURVE



### Design point

Flow (m<sup>3</sup>/h)

10692.8

Pressure (Pa)

54.9

### Service point

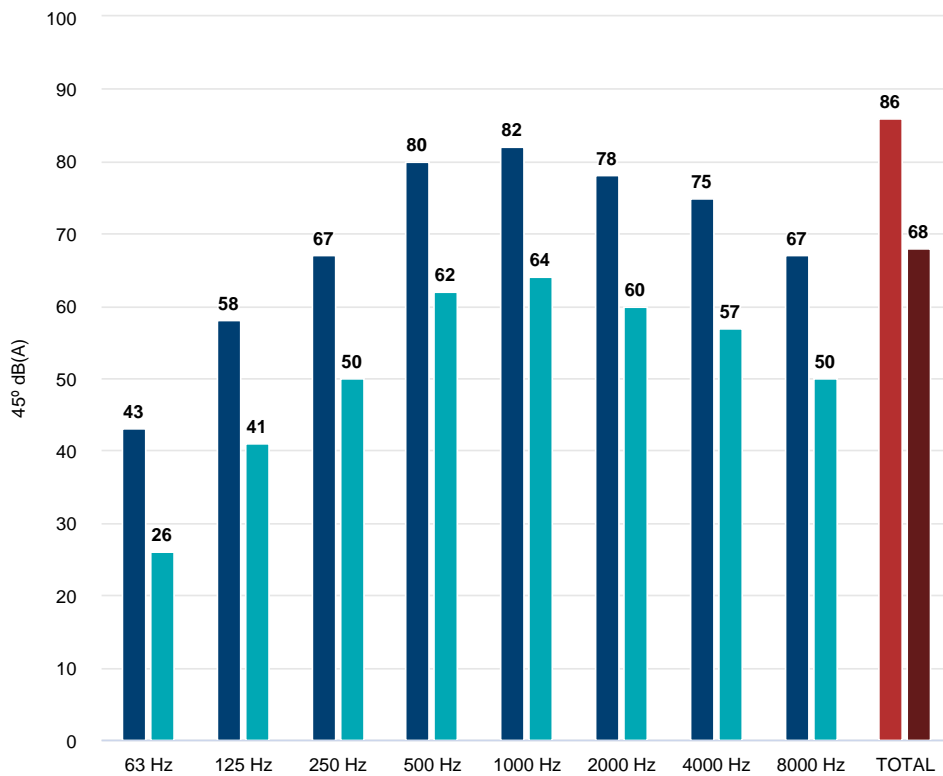
Angle	45	T.max (°C)	60	Q (m³/h)	11350.47	Ps (Pa)	61.86
Pd (Pa)	61.36	Pt (Pa)	123.22	Speed (m/s)	10.11	Security coefficient	1.25
Mechanical total efficiency	64.4	Pw.mec (kW)	0.6	Precom (kW)	0,75		

### TECHNICAL DATA

Fan							
RPM	-	Approx. weight	36 kg	Max. Flow	13570 m³/h		

Motor							
Power	0,75 kW	RPM	930	I max. (400V)	2,2 A	Size	90S
Approx. weight	13 kg	Efficiency (%)	64 %	FP	0.73		

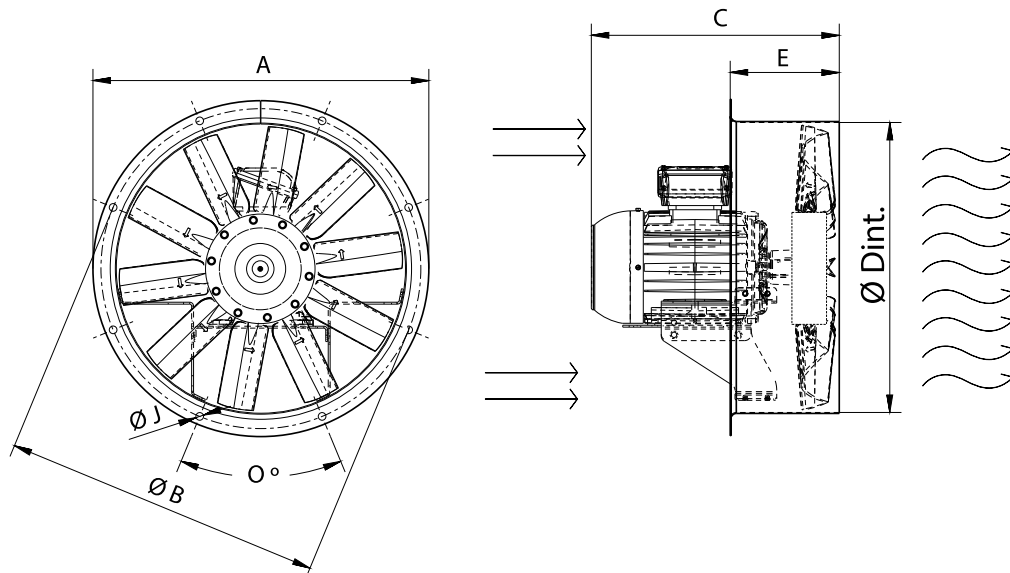
### ACOUSTIC DATA (INLET)



Sound power	
63 Hz	43
125 Hz	58
250 Hz	67
500 Hz	80
1000 Hz	82
2000 Hz	78
4000 Hz	75
8000 Hz	67
TOTAL	86

Sound pressure 3m Q=2	
63 Hz	26
125 Hz	41
250 Hz	50
500 Hz	62
1000 Hz	64
2000 Hz	60
4000 Hz	57
8000 Hz	50
TOTAL	68

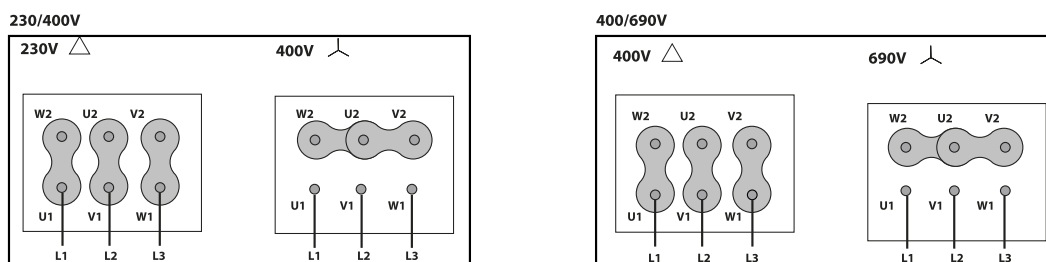
## DIMENSIONS



### Dimensions (mm)

C (Mot.T.80)	352	C (Mot.T.90L)	411	C (Mot.T.90S)	386	C (Mot.T.100L)	442	C (Mot.T.112M)	463
E	185	O	12X30°	ØA	725	ØB	690	ØD	633
ØJ	12								

## WIRING DIAGRAM



## ACCESSORIES



**Outlet protection guard for axial fans**  
**RP0 630**  
**REF: 960001205**



**CONNECTION FLANGE**  
**AC 630**  
**REF: 960003216**



**ANTI-VIBRATING FLANGE 400°/2H  
BA-400 63  
REF: 960002057**



**PLASTIC GRAVITY SHUTTER  
PCP 63  
REF: 963250106G**



**SQUARE MOUNTING FRAME FOR HB FANS  
MC HB 63  
REF: 960003157**



**ALUMINIUM GRAVITY SHUTTER  
PC2 70  
REF: PC27070**



**CIRCULAR-CIRCULAR ANTI-VIBRATION FLANGE  
BAD 15 (Ø630)  
REF: 960003465**



**FREQUENCY SPEED CONTROLLER  
SFC (GENERIC)**



**ANTI-VIBRATION SPRING BLOCK  
AVS (GENERIC)**



**ATEX SWITCH  
INT ATEX (GENERIC)**



**INLET PROTECTION GUARD FOR AXIAL FANS  
RP1 (GENERIC)**