

## HC 50 M4 (A0:6)

### GENERAL DATA



#### SHORT CASE VARIABLE PITCH BLADES FAN

#### MANUFACTURING FEATURES:

- Plate axial fan with circular reinforced frame.
- Motor-impeller modular assembly for complete versatility.
- Polyester powder finishing coat.
- Standard asynchronous squirrel-cage motor with IP-55 protection and Class F insulation. Manufactured with standard voltages: 230V 50Hz in single phase motors and 230/400V 50Hz in three phase motors up to 4kW and 400/690V 50Hz for higher powers.
- HC: Polypropylene impeller (A2 profile) or polyamide impeller reinforced with fibreglass (other profiles) with variable pitch angle.
- HCA: Cast aluminum impeller with variable pitch angle.

#### APPLICATIONS:

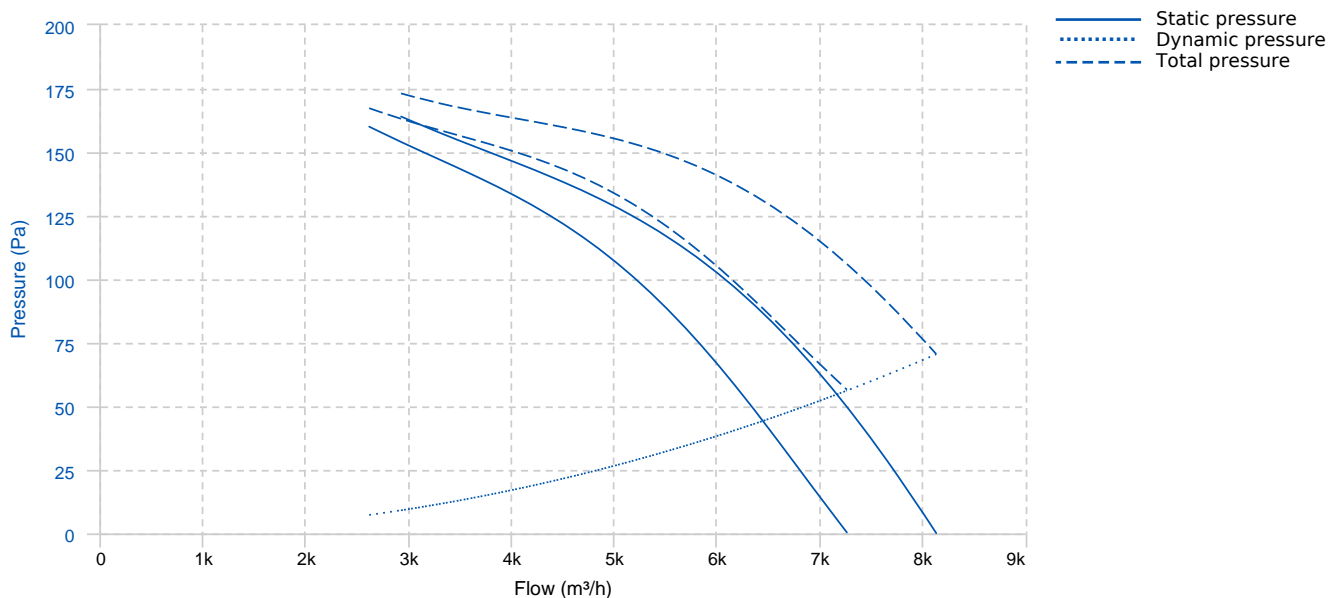
Designed for wall or duct installation, they are suitable for:

- Air renewal in buildings and industries.
- Smoke exhaust (maximum 50-60°C).
- Maximum working temperature: 50°C single phase, 60°C three phase.

#### UNDER REQUEST:

- Supply impeller (air direction from impeller to motor), 100% reversible impeller.
- 60Hz fans and special voltages.
- Hot-dipped galvanized or stainless steel housing.
- Optional can be adapted an square plate to the frame, to transform it in an axial square frame version fan.

### PERFORMANCE CURVE



### TECHNICAL DATA

#### Fan

RPM

-

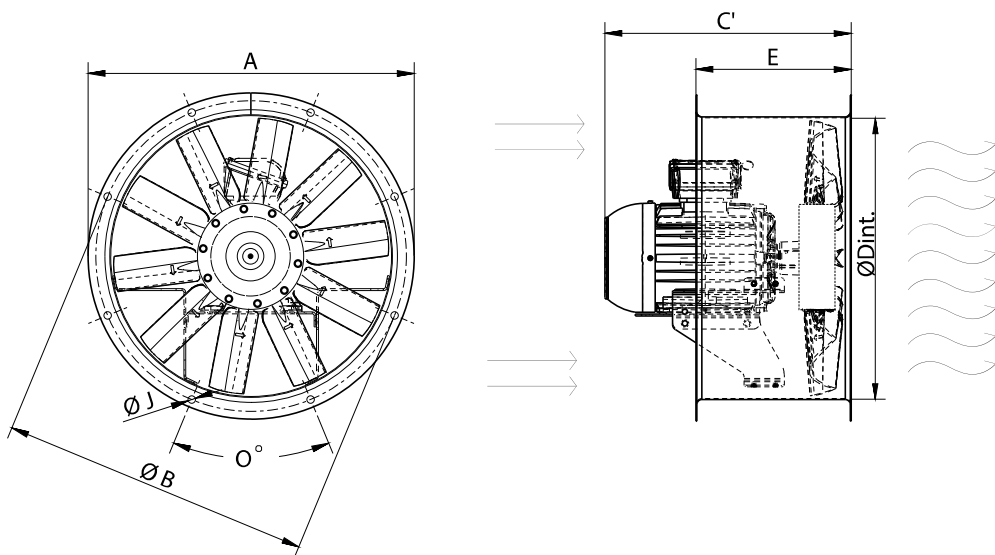
Approx. weight

-

Max. Flow

8140 m³/h

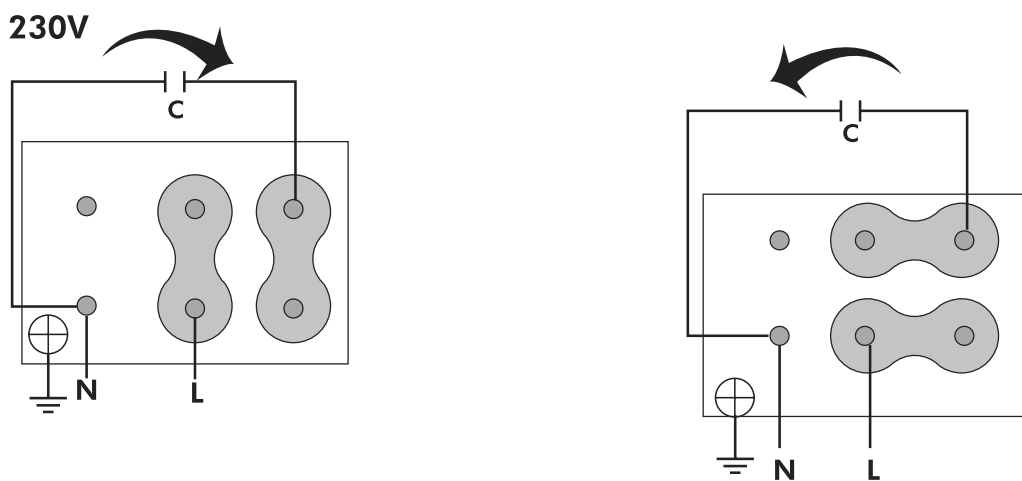
## DIMENSIONS



### Dimensions (mm)

C' (Mot.T.71)	348	C' (Mot.T.80)	360	C' (Mot.T.90L)	397	C' (Mot.T.90S)	372	C' (Mot.T.100L)	428
E	250	O	12x30°	ØA	600	ØB	560	ØD	504
ØJ	12								

## WIRING DIAGRAM



**ACCESSORIES**



**PROTECTION GUARD FOR LONG CASE AXIAL FANS**  
**RP 50**  
REF: 960320100



**CASE FANS MOUNTING SUPPORT**  
**PO 50**  
REF: 960001656



**CONNECTION FLANGE**  
**AC 500**  
REF: 960003214



**ANTI-VIBRATING FLANGE 400<sup>ø</sup>/2H**  
**BA-400 50**  
REF: 960002064



**ANTI-VIBRATION JOINT**  
**JE 45**  
REF: 300719201



**CIRCULAR SILENCER**  
**SIL-C 500/500**  
REF: 960050050



**CIRCULAR SILENCER**  
**SIL-C 500/750**  
REF: 960050075



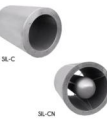
**CIRCULAR SILENCER**  
**SIL-C 500/1000**  
REF: 960050100



**CIRCULAR SILENCER**  
**SIL-CN 500/500**  
REF: 961050050



**CIRCULAR SILENCER**  
**SIL-CN 500/750**  
REF: 961050075



**CIRCULAR SILENCER**  
**SIL-CN 500/1000**  
REF: 961050100



**CIRCULAR-CIRCULAR ANTI-VIBRATION FLANGE**  
**BAD 13 (Ø500)**  
REF: 960003463



**SAFETY SWITCH**  
**INT (GENERIC)**



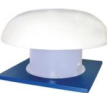
**ANTI-VIBRATION RUBBER BLOCK**  
**AVR (GENERIC)**



**ANTI-VIBRATION SPRING BLOCK**  
**AVS (GENERIC)**



**INLET PROTECTION GUARD FOR AXIAL FANS**  
**RP1 (GENERIC)**



**ROOF KIT FOR CASE FANS**  
**KIT TE 50**  
REF: KTE50



**METALLIC ROOF KIT FOR CASE FANS**  
**KIT TM 50**  
REF: KTM50