

HC EVO 45 EEC (277459040PECV2)

GENERAL DATA



SHORT CASE VARIABLE PITCH BLADES WITH EEC MOTOR

MANUFACTURING FEATURES

- Short case axial fan with reinforced body, with double flange, made of rolling steel sheet.
- Pad mounted motor support system with guide vanes.
- Polyester powder finishing coat.
- Low sound level and high performance.
- PM brushless motor (permanent magnets), synchronous, electronically commutated, high efficiency and low sound level. Specially designed for fans with electronic operation and control in deported box IP65.

Working range: from 400 to 1200-2000rpm (depending on the models)

Motor with IP54 protection and class F insulation. IP 65 drive case

Power: 220V \pm 10% single phase

Power frequency: 50 / 60Hz

Operating temperature range (electrical box): -20°C to 50°C

Speed control through signal 0-10V or PWM

- Polypropylene impeller with variable pitch angle (Stopped and in origin).

APPLICATIONS

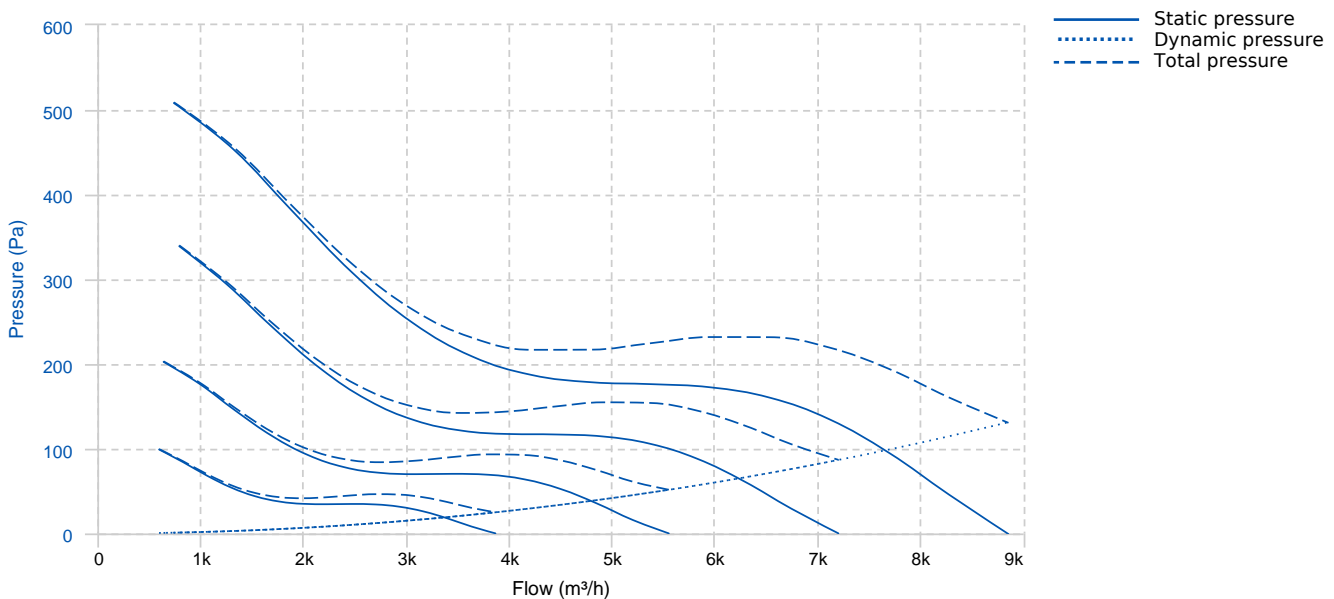
Designed for inline installation, they are suitable for

- Air renewal in buildings and industries.
- Smoke extraction.
- Maximum transported air temperature: 60°C.

UNDER REQUEST

- Casing in hot galvanized sheet or stainless steel.

PERFORMANCE CURVE



TECHNICAL DATA

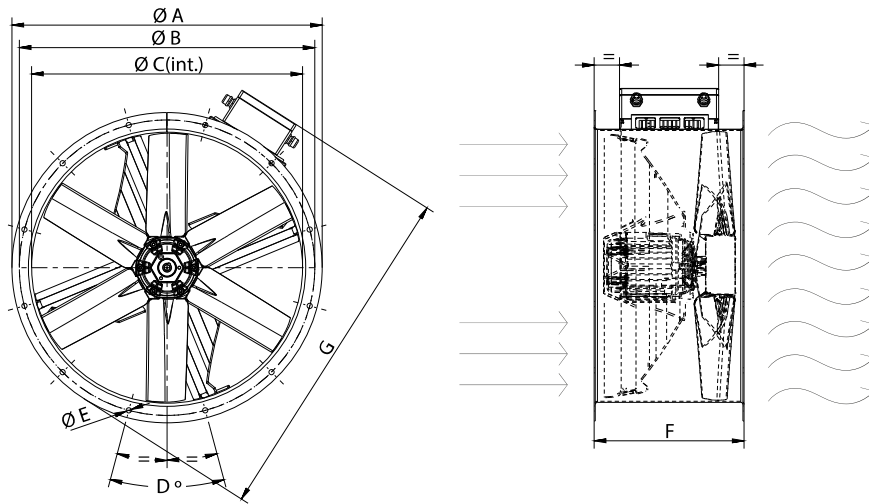
Fan

Approx. weight	25.5 kg	Max. Flow	8860 m ³ /h
----------------	---------	-----------	------------------------

Motor

Power	0,75 kW	RPM	2000 (máx)	I max. (230V)	5,8 A	Approx. weight	0 kg
-------	---------	-----	------------	---------------	-------	----------------	------

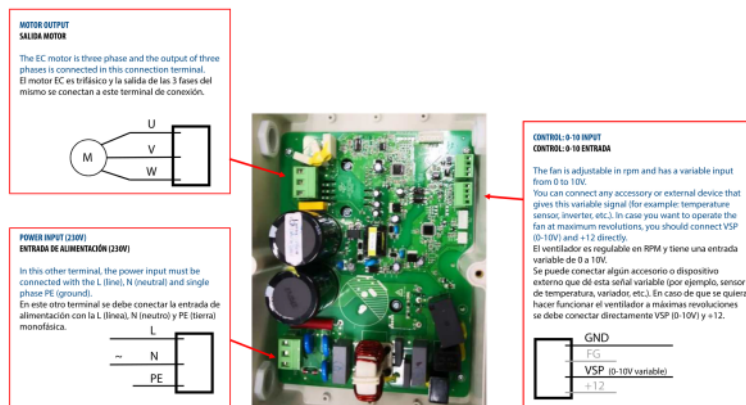
DIMENSIONS



Dimensions (mm)

A	525	B	500	C	452	D	8x45	E	12
F	350	G	617						

WIRING DIAGRAM



ACCESSORIES



SAFETY SWITCH
INT 25 3P A
REF: INT253PA

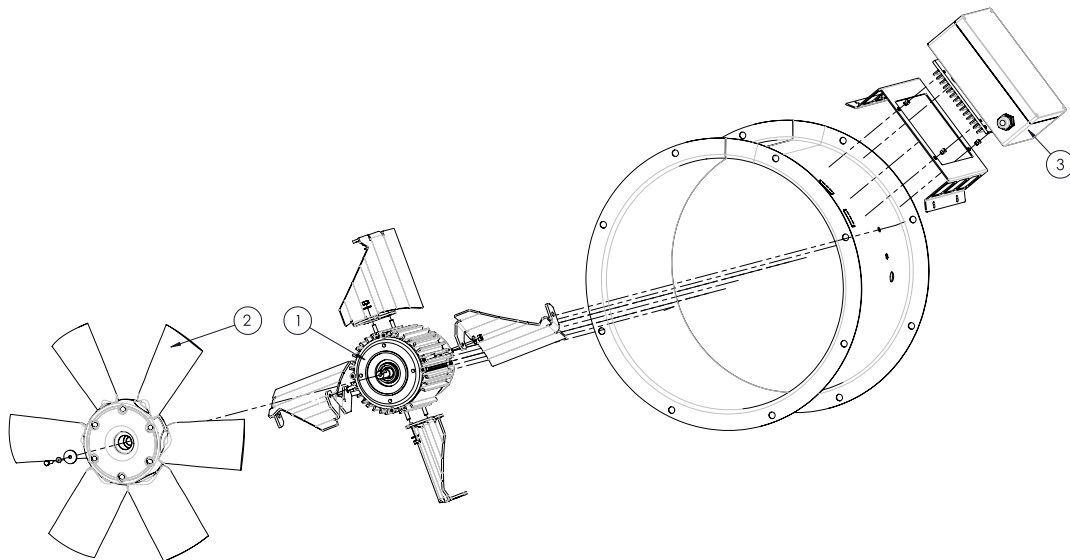


PROTECTION GUARD FOR LONG CASE AXIAL FANS
RP 45
REF: 960310100



SPEED CONTROLLER FOR EEC MOTOR
REGC
REF: FX263300

SPARE PARTS



	Code	Model	Qty
1	720331075IEC4V2	MOTOR EEC 750W (T,80)	x1
3	301002104R200	ELECTRONICAL DEVICE EEC750 2000RPM	x1