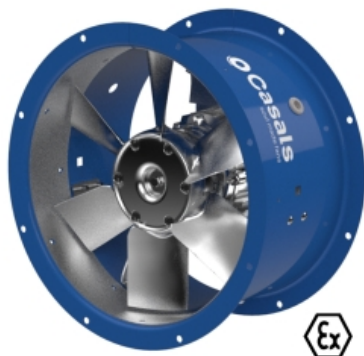


# HCX 45 T4 (A0:6) Zone 2: FAN (Ex h IIB T3 Gc) + MOTOR (Ex ec IIC T3 Gc)

## GENERAL DATA



SHORT CASE AXIAL ATEX FAN

MANUFACTURING FEATURES:

- Axial fan short casing with circular reinforced frame.
- Motor-impeller assembly through modular system.
- Cast aluminium impeller.
- Polyester powder coat finishing.
- Motor ATEX asíncrono normalizado. Certificado según zona indicada, IP55 protection and class F insulation. Manufactured with standard voltages: 230/400V 50Hz for three phase motors up to 4kW and 400/690V 50Hz for higher powers.

APPLICATIONS

Designed for wall or duct installation, they are suitable for:

- Air renewal in buildings and industries.
- Ventilation in indoor environments classified as ATEX
- Smoke extraction (max 40°C).
- Working temperature: ambient from -20°C to 40°C

UNDER REQUEST

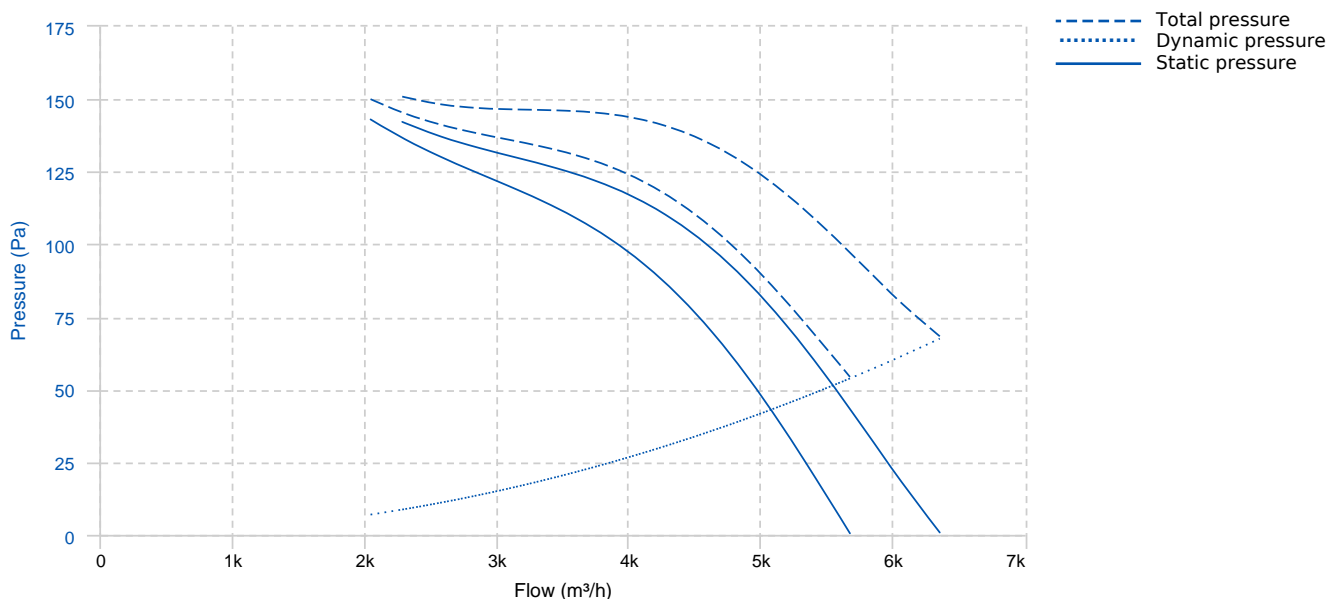
- B form or 100% reversible impeller.
- 60Hz fans and special voltages.

ORGANISM: L.O.M.

CERTIFICAT Nº: LOM 17.755X-C

In compliance with the Directive 2014/34/UE

## PERFORMANCE CURVE

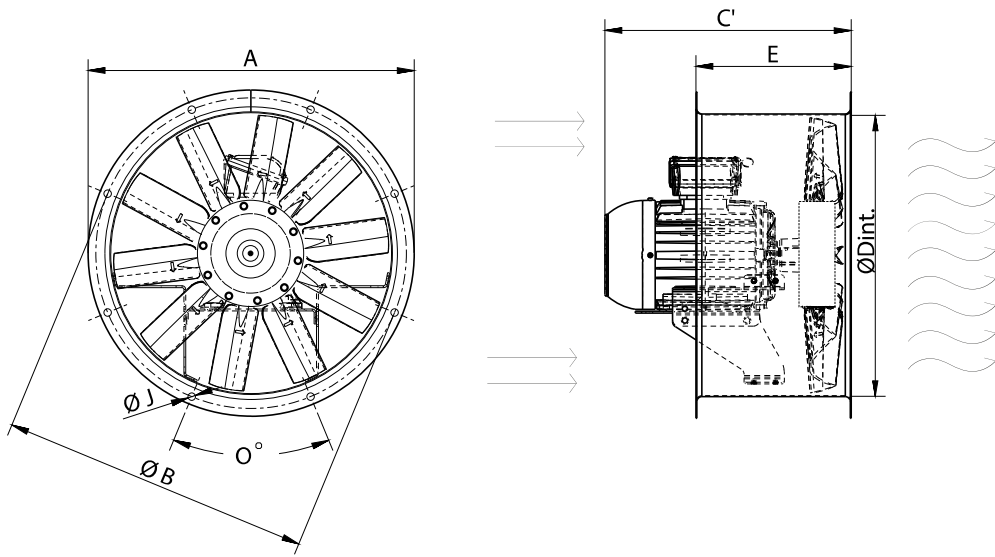


## TECHNICAL DATA

### Fan

|     |   |                |   |           |                        |
|-----|---|----------------|---|-----------|------------------------|
| RPM | - | Approx. weight | - | Max. Flow | 6360 m <sup>3</sup> /h |
|-----|---|----------------|---|-----------|------------------------|

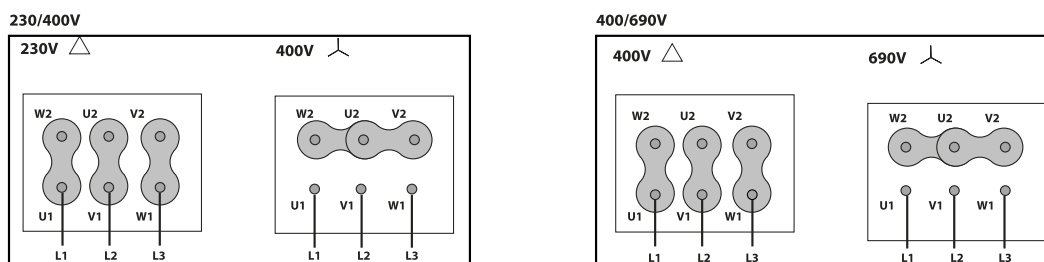
## DIMENSIONS



### Dimensions (mm)

|                 |     |               |     |               |       |                |     |                |     |
|-----------------|-----|---------------|-----|---------------|-------|----------------|-----|----------------|-----|
| C' (Mot.T.63)   | 338 | C' (Mot.T.71) | 348 | C' (Mot.T.80) | 357   | C' (Mot.T.90L) | 397 | C' (Mot.T.90S) | 372 |
| C' (Mot.T.100L) | 428 | E             | 250 | O             | 8X45° | ØA             | 525 | ØB             | 500 |
| ØD              | 452 | ØJ            | 12  |               |       |                |     |                |     |

## WIRING DIAGRAM



## ACCESSORIES



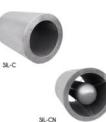
**PROTECTION GUARD FOR LONG CASE FANS**  
**RP 45**  
 REF: 960310100



**CONNECTION FLANGE**  
**AC 450**  
 REF: 960003213



**ANTI-VIBRATION JOINT**  
**JE 45**  
 REF: A-300719201



**CIRCULAR SILENCER**  
**SIL-C 450/ 675**  
 REF: 960045675



**CIRCULAR SILENCER**  
**SIL-CN 450/450**  
 REF: 961045045



**CIRCULAR SILENCER**  
**SIL-CN 450/900**  
 REF: 961045090



**ROOF KIT FOR CASE FANS**  
**KIT TE 45**  
 REF: KTE45



**CASE FANS MOUNTING SUPPORT**  
**PO 45**  
 REF: 960001655



**ANTI-VIBRATING FLANGE 400°/2H**  
**BA-400 45**  
 REF: 960002055



**CIRCULAR SILENCER**  
**SIL-C 450/450**  
 REF: 960045045



**CIRCULAR SILENCER**  
**SIL-C 450/900**  
 REF: 960045090



**CIRCULAR SILENCER**  
**SIL-CN 450/ 675**  
 REF: 961045675



**CIRCULAR-CIRCULAR ANTI-VIBRATION FLANGE**  
**BAD 12 (Ø450)**  
 REF: 960003462



**METALLIC ROOF KIT FOR CASE FANS**  
**KIT TM 45**  
 REF: KTM45



**FREQUENCY SPEED CONTROLLER  
SFC (GENERIC)**



**ANTI-VIBRATION RUBBER BLOCK  
AVR (GENERIC)**



**ANTI-VIBRATION SPRING BLOCK  
AVS (GENERIC)**



**ATEX SWITCH  
INT ATEX (GENERIC)**



**INLET PROTECTION GUARD FOR AXIAL FANS  
RP1 (GENERIC)**