

HCX 71 T4 (A5:6) Zone 2: FAN (Ex h IIB T3 Gc) + MOTOR (Ex ec IIC T3 Gc)

GENERAL DATA



SHORT CASE AXIAL ATEX FAN

MANUFACTURING FEATURES:

- Axial fan short casing with circular reinforced frame.
- Motor-impeller assembly through modular system.
- Cast aluminium impeller.
- Polyester powder coat finishing.
- Motor ATEX asíncrono normalizado. Certificado según zona indicada, IP55 protection and class F insulation. Manufactured with standard voltages: 230/400V 50Hz for three phase motors up to 4kW and 400/690V 50Hz for higher powers.

APPLICATIONS

Designed for wall or duct installation, they are suitable for:

- Air renewal in buildings and industries.
- Ventilation in indoor environments classified as ATEX
- Smoke extraction (max 40°C).
- Working temperature: ambient from -20°C to 40°C

UNDER REQUEST

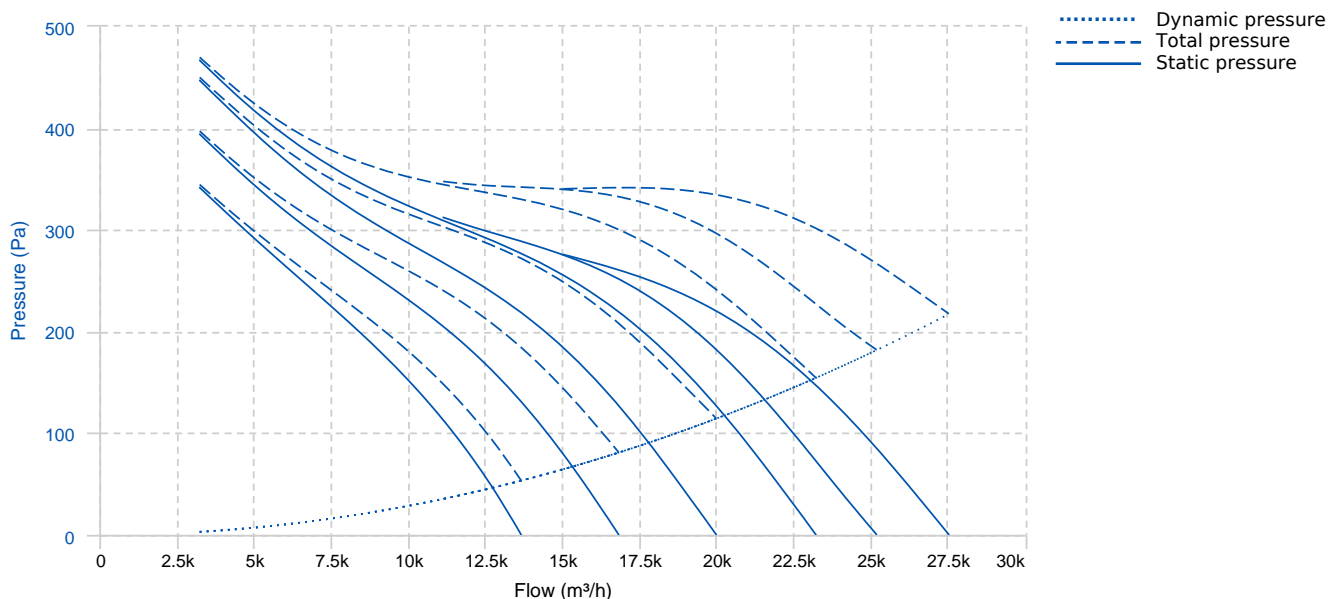
- B form or 100% reversible impeller.
- 60Hz fans and special voltages.

ORGANISM: L.O.M.

CERTIFICAT Nº: LOM 17.755X-C

In compliance with the Directive 2014/34/UE

PERFORMANCE CURVE

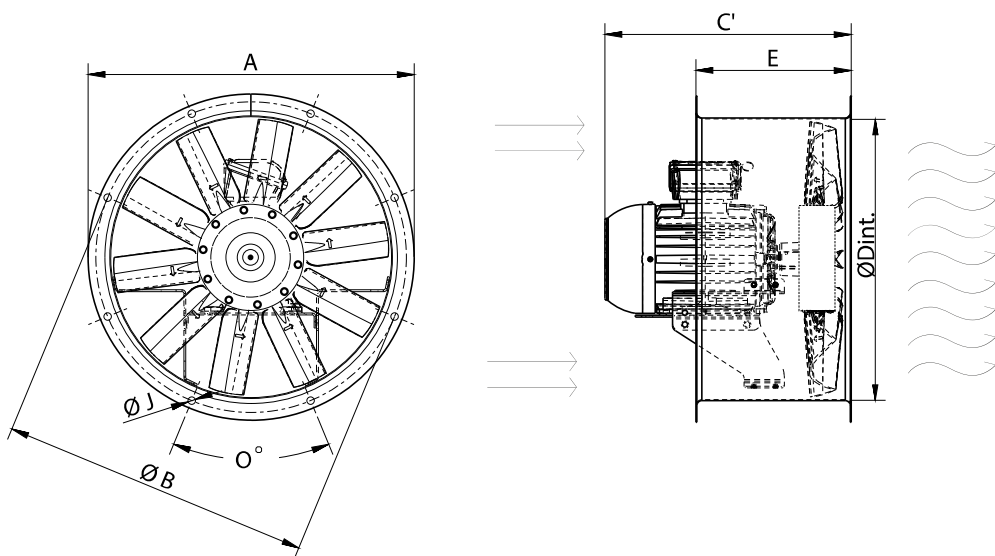


TECHNICAL DATA

Fan

RPM	-	Approx. weight	-	Max. Flow	27520 m ³ /h
-----	---	----------------	---	-----------	-------------------------

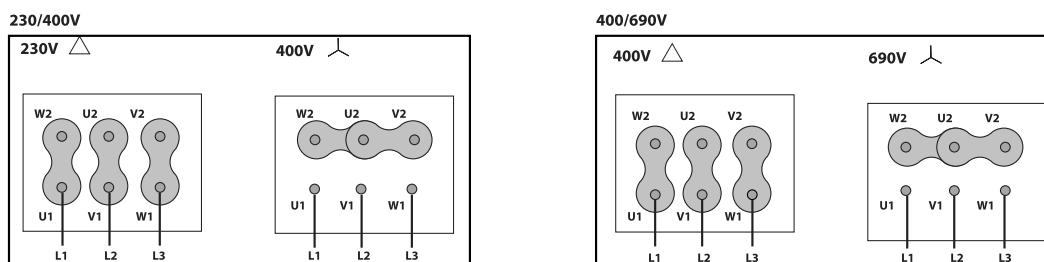
DIMENSIONS



Dimensions (mm)

C' (Mot.T.80)	362	C' (Mot.T. 90L)	421	C' (Mot.T. 90S)	396	C' (Mot.T. 100L)	452	C' (Mot.T. 112M)	473
E	350	O	16x22,5 ^ø	ØA	802	ØB	770	ØD	715
ØJ	12								

WIRING DIAGRAM



ACCESSORIES



**PROTECTION GUARD FOR LONG CASE FANS
RP 71**
REF: 960340100



**CONNECTION FLANGE
AC 710**
REF: 960003217



**ANTI-VIBRATION JOINT
JE 45**
REF: A-300719201



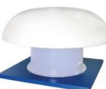
**CIRCULAR SILENCER
SIL-C 710/1065**
REF: 960071065



**CIRCULAR SILENCER
SIL-CN 710/710**
REF: 961071071



**CIRCULAR SILENCER
SIL-CN 710/1420**
REF: 961071142



**ROOF KIT FOR CASE FANS
KIT TE 71**
REF: KTE71



**CASE FANS MOUNTING SUPPORT
PO 71**
REF: 960001659



**ANTI-VIBRATING FLANGE 400^ø/2H
BA-400 71**
REF: 960002058



**CIRCULAR SILENCER
SIL-C 710/710**
REF: 960071071



**CIRCULAR SILENCER
SIL-C 710/1420**
REF: 960071142



**CIRCULAR SILENCER
SIL-CN 710/1065**
REF: 961071065



**CIRCULAR-CIRCULAR ANTI-VIBRATION FLANGE
BAD 16 (Ø710)**
REF: 960003466



**METALLIC ROOF KIT FOR CASE FANS
KIT TM 71**
REF: KTM71



**FREQUENCY SPEED CONTROLLER
SFC (GENERIC)**



**ANTI-VIBRATION RUBBER BLOCK
AVR (GENERIC)**



**ANTI-VIBRATION SPRING BLOCK
AVS (GENERIC)**



**ATEX SWITCH
INT ATEX (GENERIC)**



**INLET PROTECTION GUARD FOR AXIAL FANS
RP1 (GENERIC)**