

HH-2 40 T2 1,1kW (280402306)

GENERAL DATA



EXTERNAL MOTOR, VARIABLE PITCH BLADES

MANUFACTURING FEATURES:

- Long case fan.
 - Transmission ball bearings set inside a sealed cast iron box.
 - Cast aluminium impeller with variable pitch angle in origin.
 - Polyester powder finishing coat.
 - Standard asynchronous squirrel-cage motor with IP-55 protection and Class F insulation.
- Manufactured with standard voltages: 230V 50Hz in single phase motors and 230/400V 50Hz in three phase motors, up to 4kW and 400/690V 50Hz for higher powers.
- Inspection door.

APPLICATIONS:

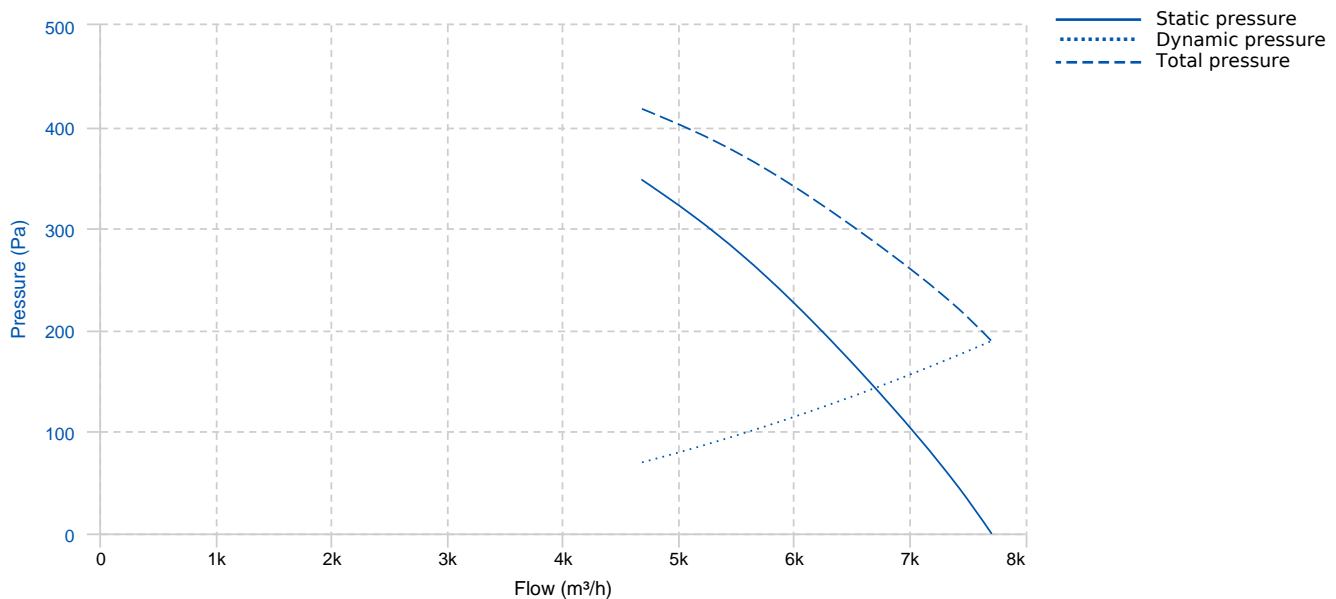
Designed for inline installation, they are suitable for:

- Air renewal in buildings and industries.
- Extraction of hot air up to 90°C.
- Maximum working temperature: carried air: 90°C, ambient 60°C.

UNDER REQUEST:

- Supply impeller (air direction from impeller to motor),
- Reversible impeller.
- Polyamide impeller.
- 60Hz fans and special voltages.
- 2 speed motors.
- Hot-dipped galvanised.

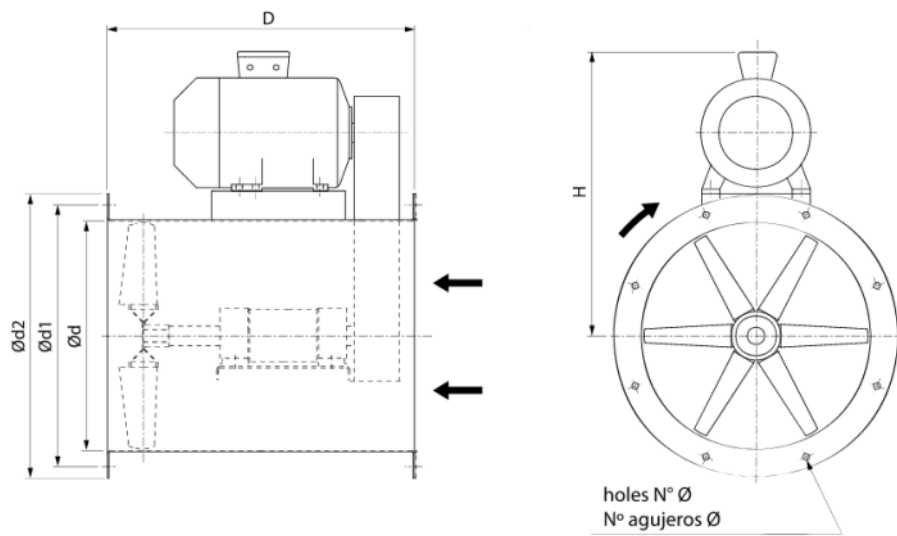
PERFORMANCE CURVE



TECHNICAL DATA

Fan							
RPM	2800	Approx. weight	57 kg	Max. Flow	7710 m ³ /h		
Motor							
Power	1,1 kW	RPM	2800	I max. (230V)	4,05 A	I max. (400V)	2,33 A
Size	80	Approx. weight	16 kg	Efficiency (%)	82.7 %	FP	0.85

DIMENSIONS



Dimensions (mm)									
D	475	H	445	N	12	d	400	d1	448
d2	485	Ø	12						

ACCESSORIES



SAFETY SWITCH
INT 25 3P A
REF: INT253PA



CONNECTION FLANGE
AC 400
REF: 960003212



**ANTI-VIBRATION JOINT
JE 45**
REF: 300719201



**CIRCULAR-CIRCULAR ANTI-VIBRATION FLANGE
BAD 11 (Ø400)**
REF: 960003461



**FREQUENCY SPEED CONTROLLER
SFC 400 III 3,6A ***
REF: SFC400III4



**INLET PROTECTION GUARD FOR CENTRIFUGAL
FANS
RA 405x12**
REF: 510004001



**FREQUENCY SPEED CONTROLLER
SFC 230 I 7A ***
REF: SFC230I007