

# HH-2 50 T4 0,55kW (280504106)

## GENERAL DATA



EXTERNAL MOTOR, VARIABLE PITCH BLADES

MANUFACTURING FEATURES:

- Long case fan.
  - Transmission ball bearings set inside a sealed cast iron box.
  - Cast aluminium impeller with variable pitch angle in origin.
  - Polyester powder finishing coat.
  - Standard asynchronous squirrel-cage motor with IP-55 protection and Class F insulation.
- Manufactured with standard voltages: 230V 50Hz in single phase motors and 230/400V 50Hz in three phase motors, up to 4kW and 400/690V 50Hz for higher powers.
- Inspection door.

APPLICATIONS:

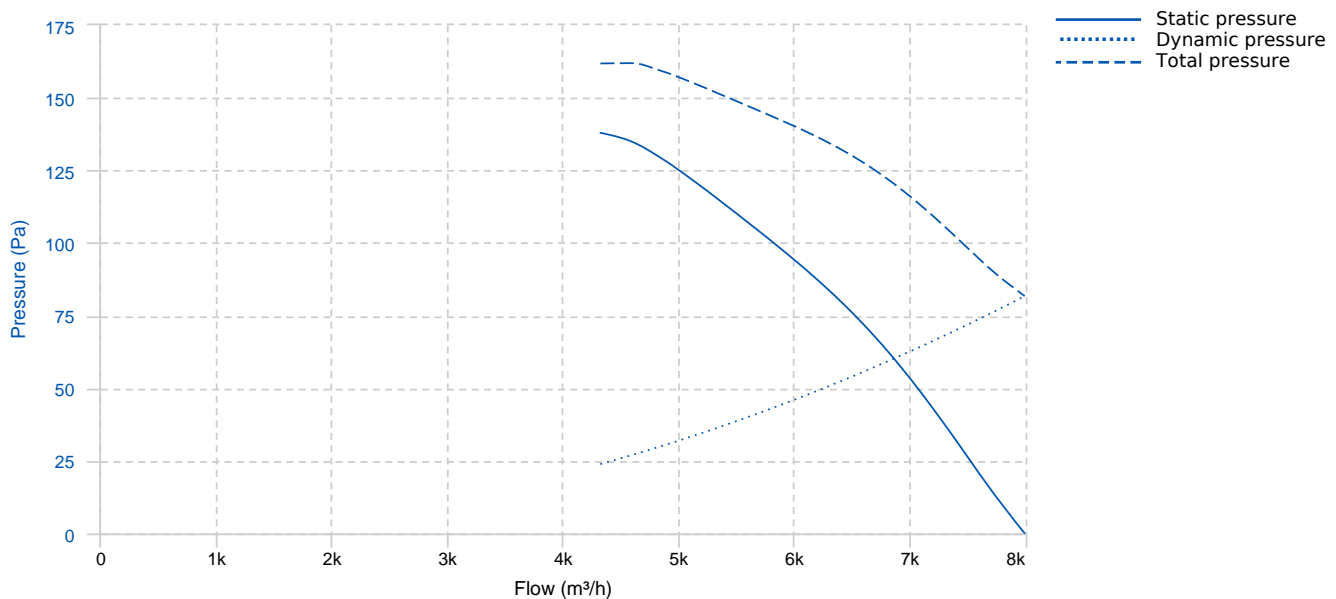
Designed for inline installation, they are suitable for:

- Air renewal in buildings and industries.
- Extraction of hot air up to 90°C.
- Maximum working temperature: carried air: 90°C, ambient 60°C.

UNDER REQUEST:

- Supply impeller (air direction from impeller to motor),
- Reversible impeller.
- Polyamide impeller.
- 60Hz fans and special voltages.
- 2 speed motors.
- Hot-dipped galvanised.

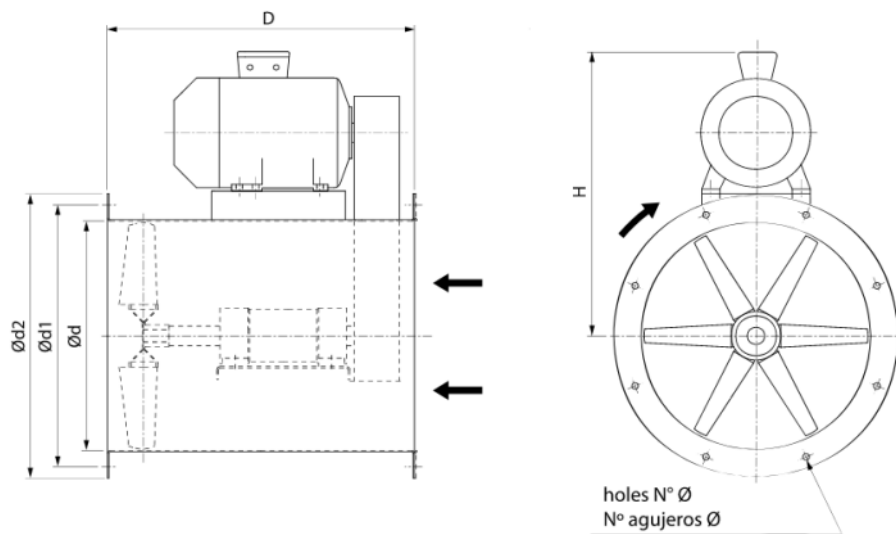
## PERFORMANCE CURVE



## TECHNICAL DATA

Fan							
RPM	1440	Approx. weight	55 kg	Max. Flow	8000 m <sup>3</sup> /h		
Motor							
Power	0,55 kW	RPM	1440	I max. (230V)	2,57 A	I max. (400V)	1,49 A
Size	80	Approx. weight	9 kg	Efficiency (%)	73.5 %		

## DIMENSIONS



Dimensions (mm)									
D	560	H	500	N	12	d	500	d1	551
d2	585	Ø	14						

## ACCESSORIES



**SAFETY SWITCH**  
**INT 25 3P A**  
**REF: INT253PA**



**CONNECTION FLANGE**  
**AC 500**  
**REF: 960003214**



**ANTI-VIBRATION JOINT  
JE 45**  
REF: 300719201



**CIRCULAR-CIRCULAR ANTI-VIBRATION FLANGE  
BAD 13 (Ø500)**  
REF: 960003463



**FREQUENCY SPEED CONTROLLER  
SFC 400 III 2,2A \***  
REF: SFC400III2



**INLET PROTECTION GUARD FOR CENTRIFUGAL  
FANS  
RA 505x12**  
REF: 510005001



**FREQUENCY SPEED CONTROLLER  
SFC 230 I 4,2A \***  
REF: SFC230I004