

HH-2 80 T4 4kW (280804506)

GENERAL DATA



EXTERNAL MOTOR, VARIABLE PITCH BLADES

MANUFACTURING FEATURES:

- Long case fan.
 - Transmission ball bearings set inside a sealed cast iron box.
 - Cast aluminium impeller with variable pitch angle in origin.
 - Polyester powder finishing coat.
 - Standard asynchronous squirrel-cage motor with IP-55 protection and Class F insulation.
- Manufactured with standard voltages: 230V 50Hz in single phase motors and 230/400V 50Hz in three phase motors, up to 4kW and 400/690V 50Hz for higher powers.
- Inspection door.

APPLICATIONS:

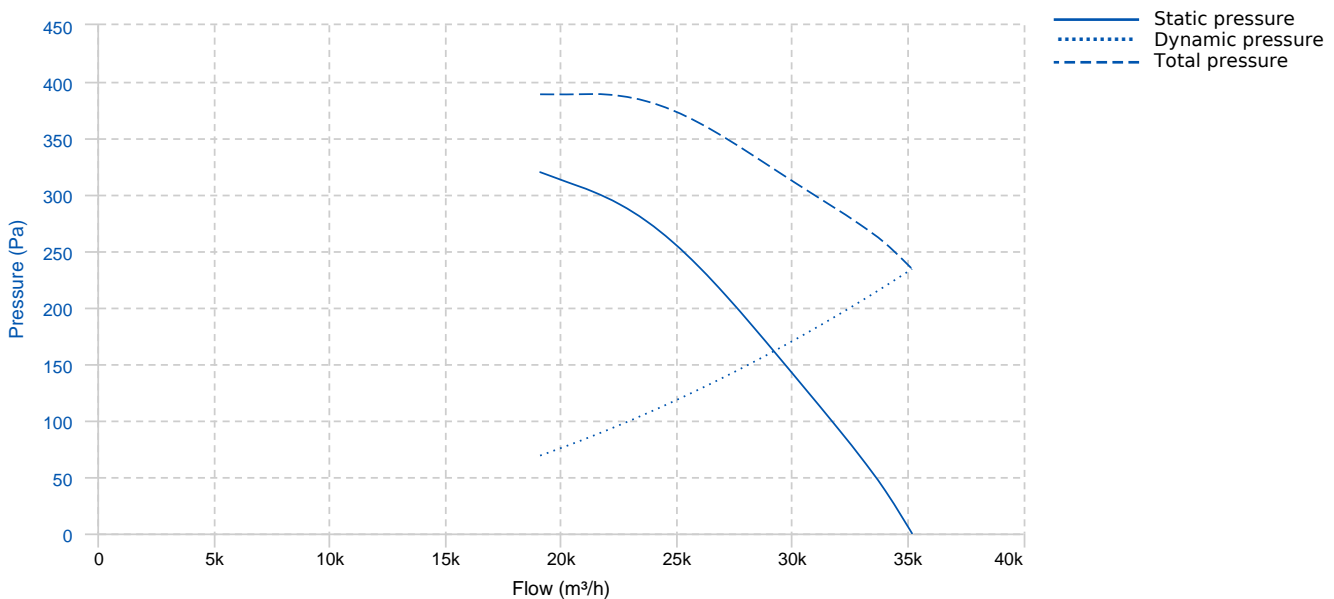
Designed for inline installation, they are suitable for:

- Air renewal in buildings and industries.
- Extraction of hot air up to 90°C.
- Maximum working temperature: carried air: 90°C, ambient 60°C.

UNDER REQUEST:

- Supply impeller (air direction from impeller to motor),
- Reversible impeller.
- Polyamide impeller.
- 60Hz fans and special voltages.
- 2 speed motors.
- Hot-dipped galvanised.

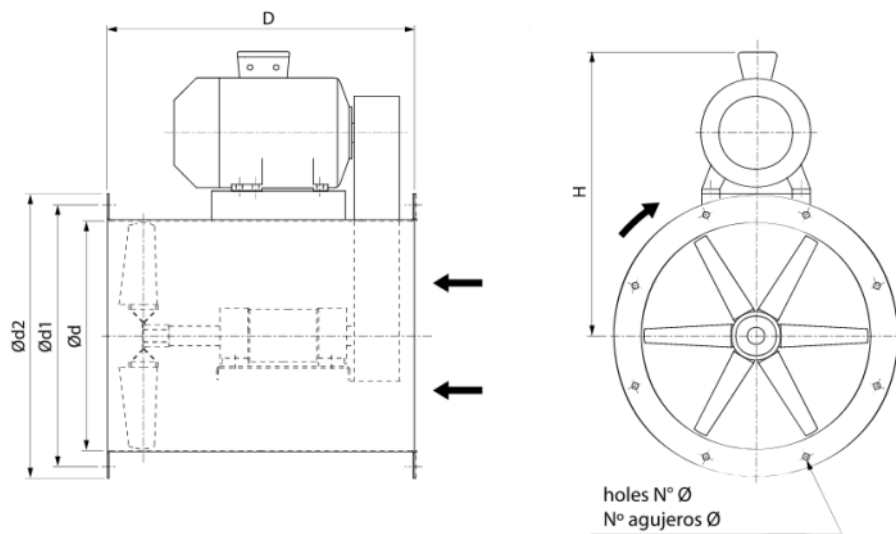
PERFORMANCE CURVE



TECHNICAL DATA

Fan							
RPM	1440	Approx. weight	117 kg	Max. Flow	35180 m ³ /h		
Motor							
Power	4 kW	RPM	1440	I max. (230V)	14,5 A	I max. (400V)	8,32 A
Size	112M	Approx. weight	35.8 kg	Efficiency (%)	86.6 %	FP	0.8

DIMENSIONS



Dimensions (mm)									
D	740	H	730	N	16	d	800	d1	861
d2	905	Ø	14						

ACCESSORIES



SAFETY SWITCH
INT 25 3P A
REF: INT253PA



CONNECTION FLANGE
AC 800
REF: 960003218



ANTI-VIBRATION JOINT
JE 45
REF: 300719201



CIRCULAR-CIRCULAR ANTI-VIBRATION FLANGE
BAD 17 (Ø800)
REF: 960003467



INLET PROTECTION GUARD FOR CENTRIFUGAL
FANS
RA 805x16
REF: 510008000



FREQUENCY SPEED CONTROLLER
SFC 400 III 12A *
REF: SFC400III12