

# HH-2 90 T4 5,5kW (280904506)

## GENERAL DATA



EXTERNAL MOTOR, VARIABLE PITCH BLADES

MANUFACTURING FEATURES:

- Long case fan.
  - Transmission ball bearings set inside a sealed cast iron box.
  - Cast aluminium impeller with variable pitch angle in origin.
  - Polyester powder finishing coat.
  - Standard asynchronous squirrel-cage motor with IP-55 protection and Class F insulation.
- Manufactured with standard voltages: 230V 50Hz in single phase motors and 230/400V 50Hz in three phase motors, up to 4kW and 400/690V 50Hz for higher powers.
- Inspection door.

APPLICATIONS:

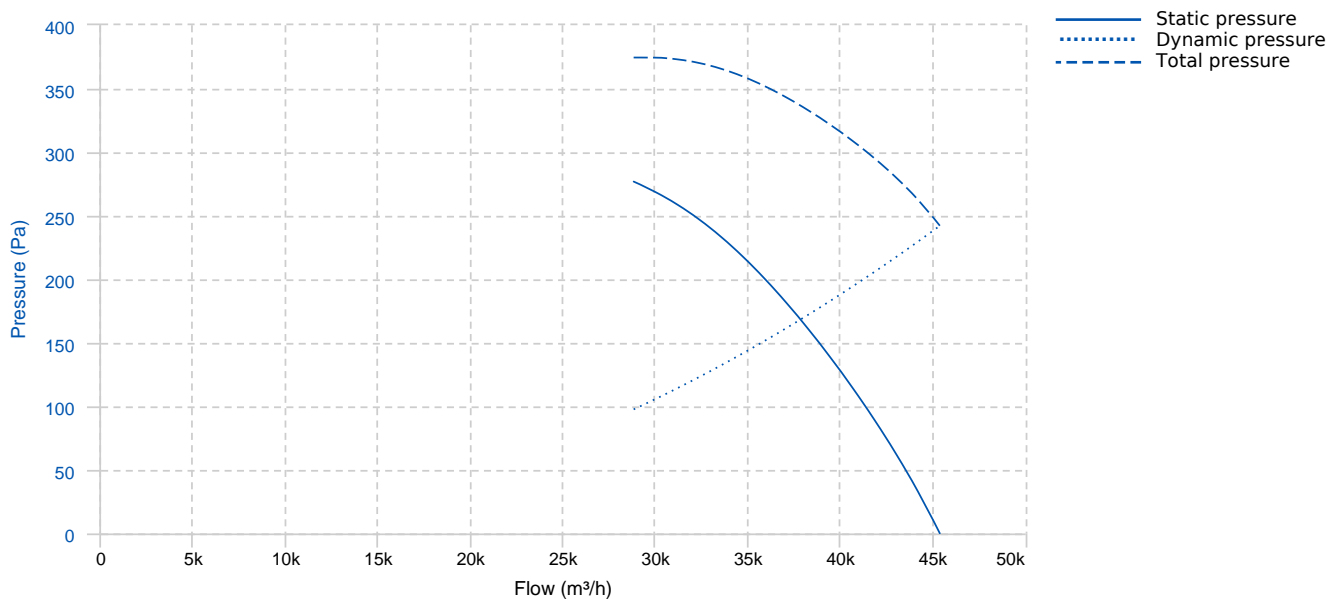
Designed for inline installation, they are suitable for:

- Air renewal in buildings and industries.
- Extraction of hot air up to 90°C.
- Maximum working temperature: carried air: 90°C, ambient 60°C.

UNDER REQUEST:

- Supply impeller (air direction from impeller to motor),
- Reversible impeller.
- Polyamide impeller.
- 60Hz fans and special voltages.
- 2 speed motors.
- Hot-dipped galvanised.

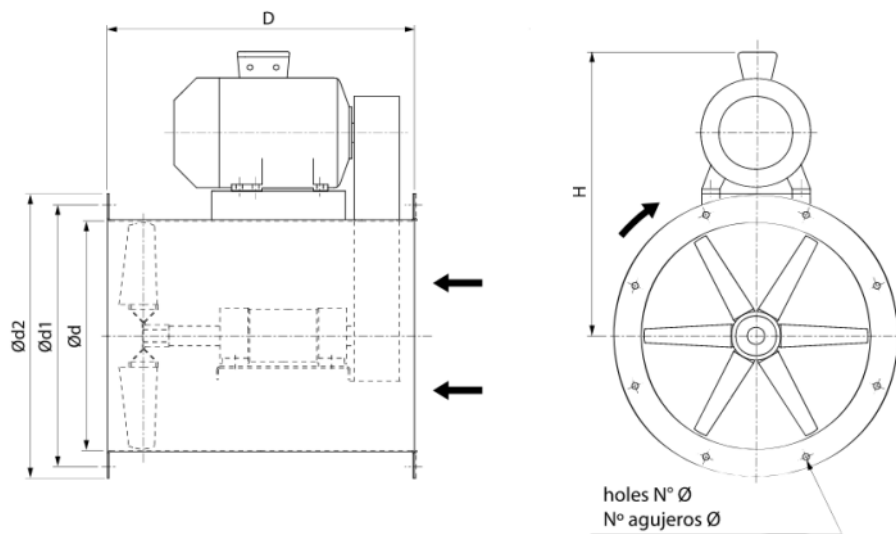
## PERFORMANCE CURVE



## TECHNICAL DATA

Fan							
RPM	1460	Approx. weight	150 kg	Max. Flow	45370 m <sup>3</sup> /h		
Motor							
Power	5,5 kW	RPM	1460	I max. (400V)	10,5 A	I max. (690V)	6,09 A
Size	132S	Approx. weight	67 kg	Efficiency (%)	89.6 %	FP	0.86

## DIMENSIONS



Dimensions (mm)									
D	800	H	820	N	16	d	900	d1	958
d2	1005	Ø	14						

## ACCESSORIES



**SAFETY SWITCH**  
**INT 25 3P A**  
**REF: INT253PA**



**CONNECTION FLANGE**  
**AC 900**  
**REF: 960003219**



**ANTI-VIBRATION JOINT**  
**JE 45**  
**REF: 300719201**



**CIRCULAR-CIRCULAR ANTI-VIBRATION FLANGE**  
**BAD 18 (Ø900)**  
**REF: 960003468**



**INLET PROTECTION GUARD FOR CENTRIFUGAL**  
**FANS**  
**RA 905x16**  
**REF: 510009000**



**FREQUENCY SPEED CONTROLLER**  
**SFC 400 III 12A \***  
**REF: SFC400III12**