

HI 45 M6 0,13kW (A0:6) 45° (HI147130645PV1)

GENERAL DATA



PORTABLE FAN WITH ON/OFF SWITCH AND INDUSTRIAL PLUG

MANUFACTURING FEATURES

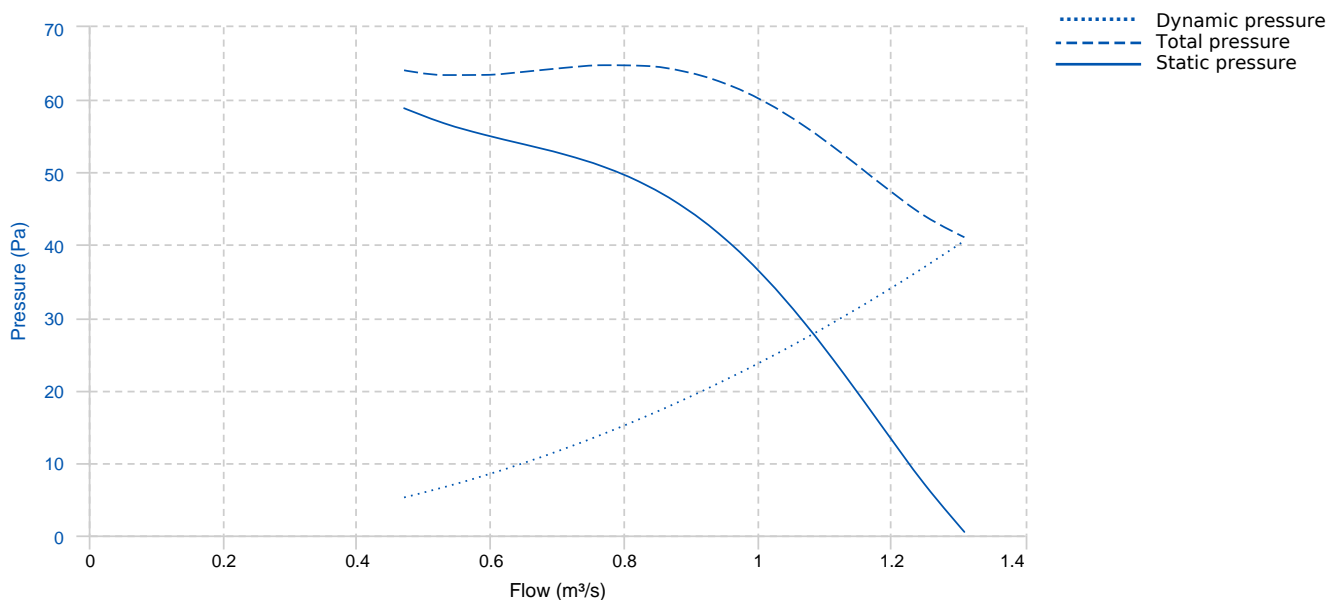
- Fan with reinforced tubular casing made of laminated steel sheet.
- Modular assembly of the propeller motor assembly that allows total versatility in case of any change.
- Polypropylene propeller for A2 profile and fiberglass reinforced polyamide for the rest of the variable angle profiles at stop and at origin.
- Protected against corrosion by polyester resin powder coating.
- Includes stop-start switch and cetac type plug (industrial use).
- Protective grilles on both sides, in compliance with the ROHS directive 2002/95/EC (Restriction of hazardous substances in electrical and electronic equipment).
- Possibility of directing the air jet in any position.
- The fan is supplied with support feet.
- Standardized squirrel cage asynchronous motor with IP-55 protection and class F insulation. Standard voltages 230V 50Hz for single-phase motors, 230/400V 50Hz for three-phase motors.

APPLICATIONS

Designed to be moved easily, they are indicated for:

- Ventilation of workplaces.
- Drying of parts and surfaces.
- Maximum continuous working temperature: single-phase 50°C, three-phase 60°C.

PERFORMANCE CURVE



TECHNICAL DATA

Fan

RPM

920

Approx. weight

18 kg

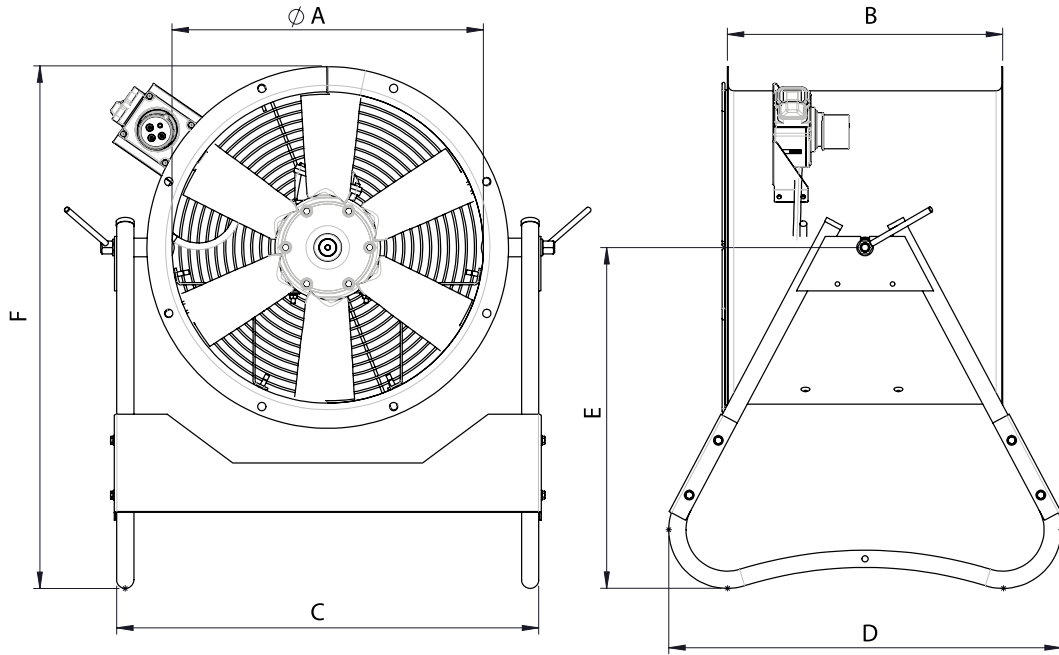
Max. Flow

1.31 m³/s

Motor

Power	0,13 kW	RPM	920	Capacitor	6μF 400V	I max. (230V)	1,3 A
Size	80						

DIMENSIONS



Dimensions (mm)

A	452	B	400	C	613	D	570	E	495
F	757								

ACCESSORIES