

HJBM PLUS 35 M2 1,1kW (268353103)

GENERAL DATA



SQUARE WALL PLATE FAN, VARIABLE PITCH BLADES AND HIGH EFFICIENCY MOTOR

MANUFACTURING FEATURES

- Square plate made of galvanized steel sheet with polyester painting.
- Variable pitch angle polyamide impeller reinforced with fibreglass.
- Supplied with motor support and protection guard according to the UNE-EN 20-359-74 norm and the ROHS 2002/95/EC Directive (Restriction of the Use of Certain Hazardous Substances in Electrical and Electronic Equipments).
- High efficiency standard asynchronous squirrel-cage motor with IP-55 or IP-54 protection (wiring box IP-65) and Class F insulation. Manufactured with standard voltages: 230V 50Hz for the single phase motors and 230/400V 50Hz for the three phase motors.

APPLICATIONS

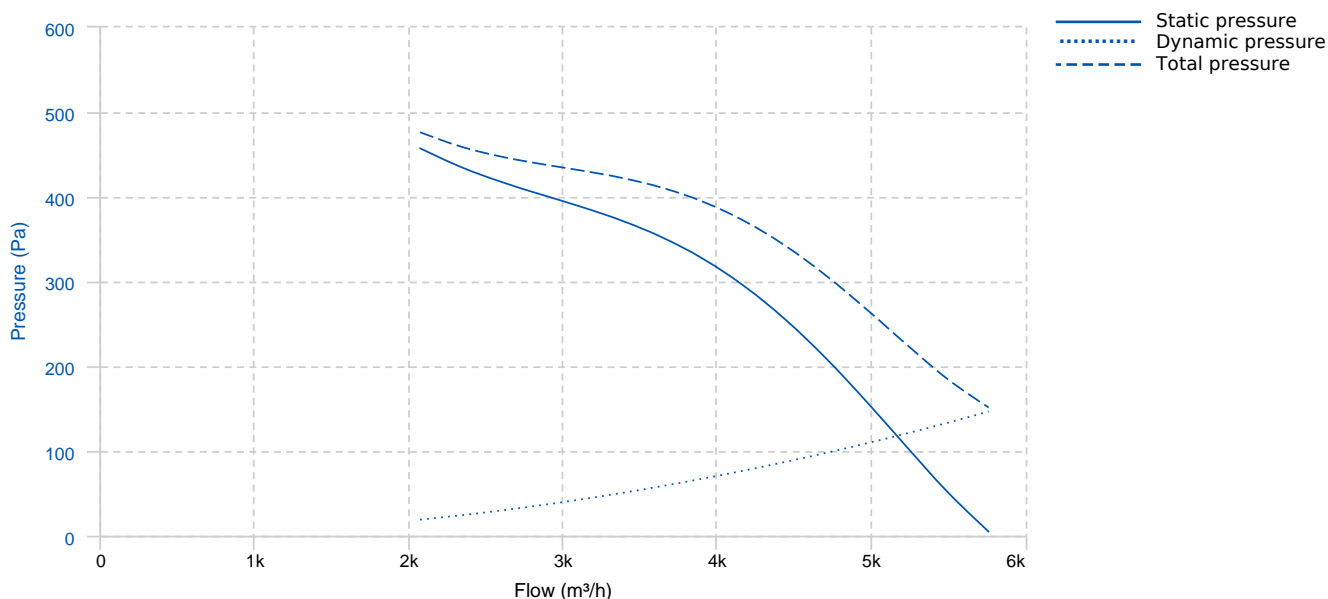
Designed for wall assembly, they are suitable for:

- Air renewal in buildings and industries.
- Maximum working temperature: single phase 50°C, three phase 60°C.

UNDER REQUEST

- Aluminium impeller.
- 60Hz fans.

PERFORMANCE CURVE

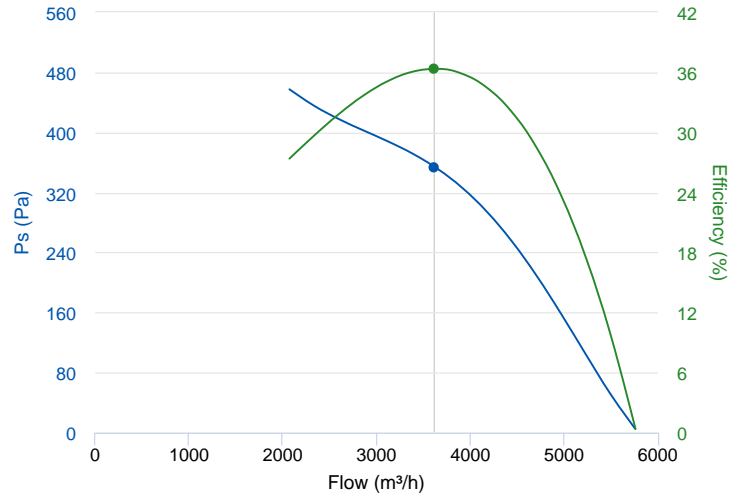


TECHNICAL DATA

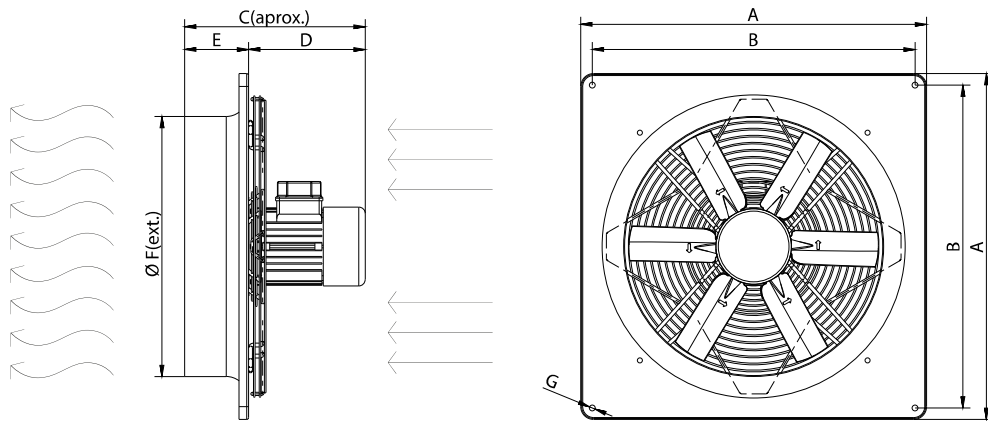
Fan							
RPM	2800	Approx. weight	7.5 kg	Max. Flow	5770 m³/h		
Motor							
Power	1,1 kW	RPM	2800	Capacitor	30µF 450V	I max. (230V)	6,71 A
Size	80	Approx. weight	10.6 kg	Efficiency (%)	75 %	FP	0.95

ERP DATA

Fan data sheet		
Fan type	Axial fan	
Installation category	A: Outlet and Inlet free discharge	
Efficiency category	Static	
The fan has to be installed with VF	No	
Motor power (kW)	1.1	
	Fan values	ERP Requirements 2015
Max. efficiency (%)	36.35	33.6
Efficiency grade (N)	42.74	40
Pabs (kW)	0.976	
Flow (m³/h)	3619.89	
Static pressure (Pa)	354.08	
Speed (m/s)	2800	
Specific ratio	1.00	



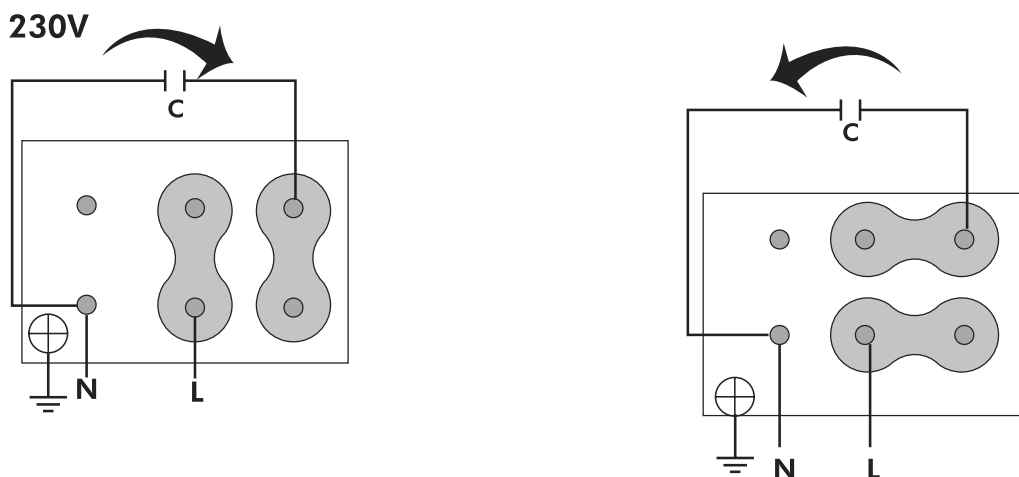
DIMENSIONS



Dimensions (mm)

A	460	B	392	C	313,5	D	227,5	E	86
ØF	366	ØG	9						

WIRING DIAGRAM



ACCESSORIES



SAFETY SWITCH
INT 25 3P A
REF: INT253PA



Outlet protection guard for axial fans
RP0 35
REF: 980000035

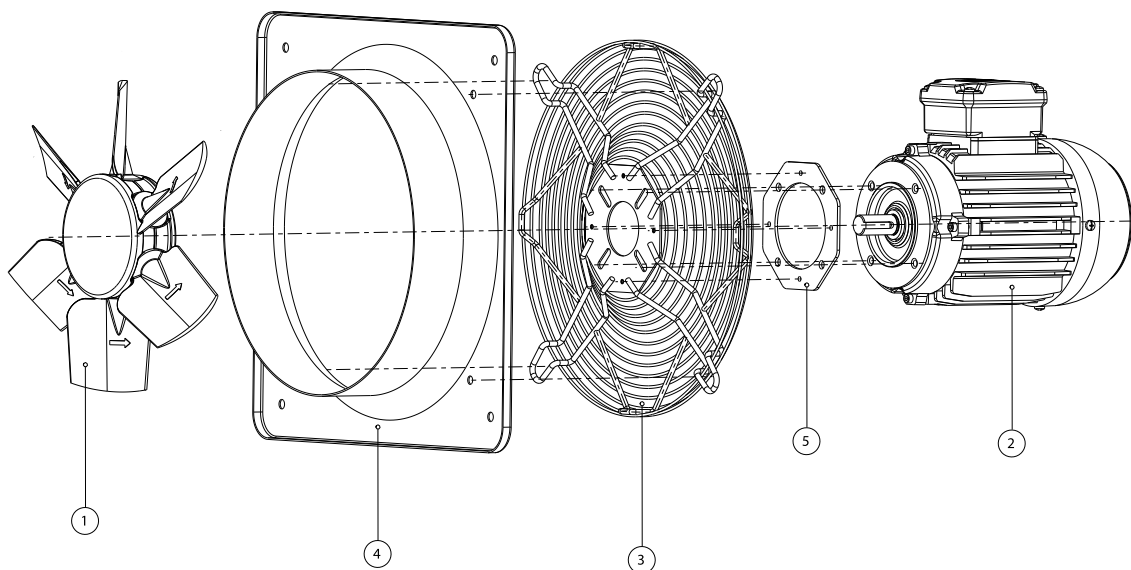


PLASTIC GRAVITY SHUTTER
PCP 35
REF: 963230105G



ALUMINIUM GRAVITY SHUTTER
PC2 40
REF: PC24040

SPARE PARTS



	Code	Model	Qty
1	R-H35006335PSTD	IMPELLER 350:AP0:6 G35 D19	x1
2	720301049	MOTOR 1,1kW M2 B14 230V	x1
3	R-268351902	PROTECTION GRID HJBM35	x1
4	R-265351778A001	FRAME HJEM-HJBM35	x1
5	R-266401909	SUPPORT MOTOR DISC HJBM30-35-45 T.80	x1