

HJBM PLUS 50 T4 0,55kW

GENERAL DATA



SQUARE WALL PLATE FAN, VARIABLE PITCH BLADES AND HIGH EFFICIENCY MOTOR

MANUFACTURING FEATURES

- Square plate made of galvanized steel sheet with polyester painting.
- Variable pitch angle polyamide impeller reinforced with fibreglass.
- Supplied with motor support and protection guard according to the UNE-EN 20-359-74 norm and the ROHS 2002/95/EC Directive (Restriction of the Use of Certain Hazardous Substances in Electrical and Electronic Equipments).
- High efficiency standard asynchronous squirrel-cage motor with IP-55 protection (wiring box IP-65) and Class F insulation. Manufactured with standard voltages: 230V 50Hz for the single phase motors and 230/400V 50Hz for the three phase motors.

APPLICATIONS

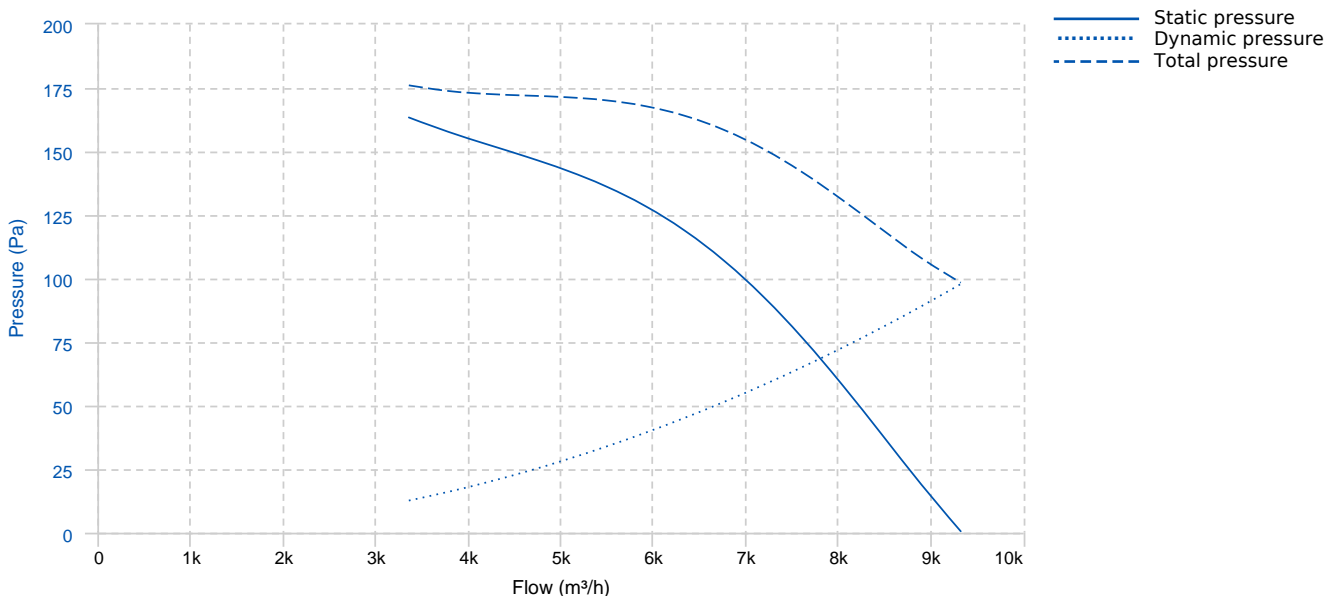
Designed for wall assembly, they are suitable for:

- Air renewal in buildings and industries.
- Maximum working temperature: single phase 50°C, three phase 60°C.

UNDER REQUEST

- Aluminium impeller.
- 60Hz fans.

PERFORMANCE CURVE

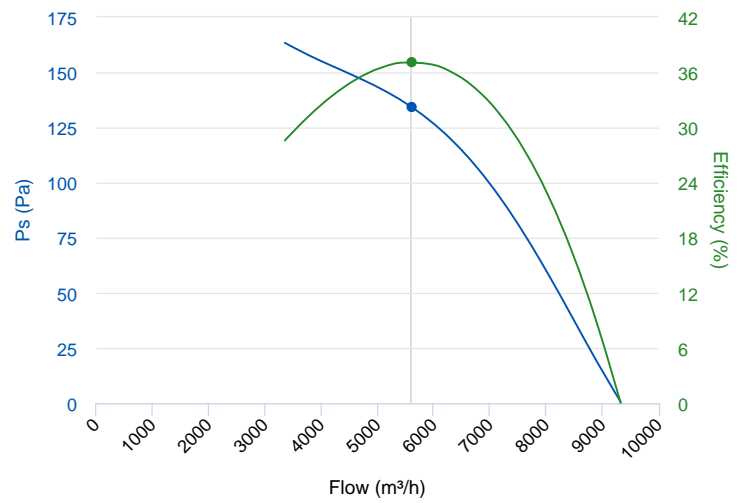


TECHNICAL DATA

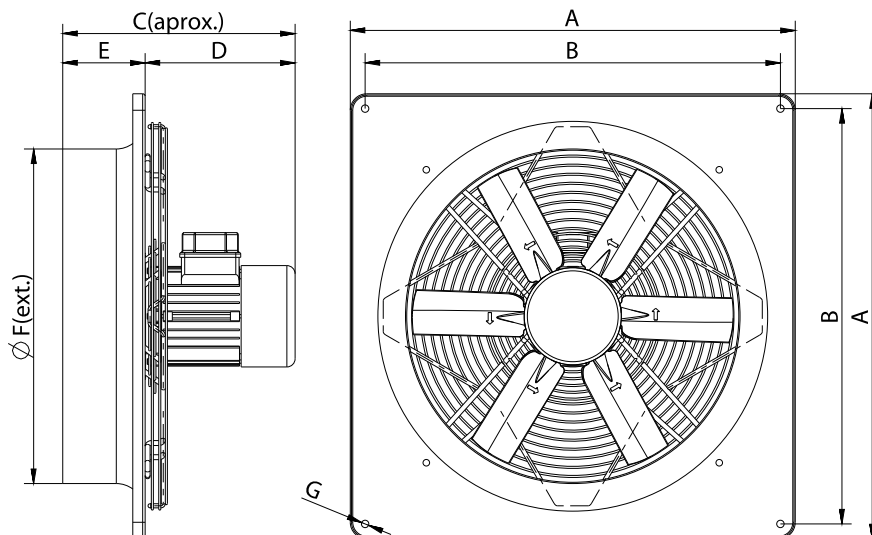
Fan							
RPM	1440	Approx. weight	18 kg	Max. Flow	9330 m³/h		
Motor							
Power	0,55 kW	RPM	1440	I max. (230V)	2,57 A	I max. (400V)	1,49 A
Size	80	Approx. weight	9 kg	Efficiency (%)	73.5 %		

ERP DATA

Fan data sheet		
Fan type	Axial fan	
Installation category	A: Outlet and Inlet free discharge	
Efficiency category	Static	
The fan has to be installed with VF	No	
Motor power (kW)	0.55	
	Fan values	ERP Requirements 2015
Max. efficiency (%)	37.1	32.1
Efficiency grade (N)	45	40
Pabs (kW)	0.563	
Flow (m ³ /h)	5613.26	
Static pressure (Pa)	134.14	
Speed (m/s)	1440	
Specific ratio	1.00	



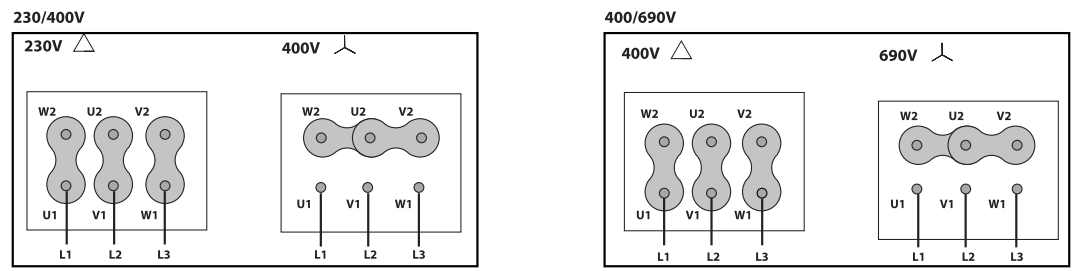
DIMENSIONS



Dimensions (mm)

A	655	B	599,4	C	339,5	D	219,5	E	120
ØF	508	ØG	11						

WIRING DIAGRAM



ACCESSORIES



SAFETY SWITCH
INT 25 3P A
REF: INT253PA



Outlet protection guard for axial fans
RPO 50
REF: 980000050



PLASTIC GRAVITY SHUTTER
PCP 50
REF: 963240106



ALUMINIUM GRAVITY SHUTTER
PC2 50
REF: PC25050



FREQUENCY SPEED CONTROLLER
SFC 230 I 4,2A *
REF: SFC230I004



FREQUENCY SPEED CONTROLLER
SFC 400 III 2,2A *
REF: SFC400III2