

HJEM 20 M4 (265201103)

GENERAL DATA



SQUARE WALL PLATE FAN

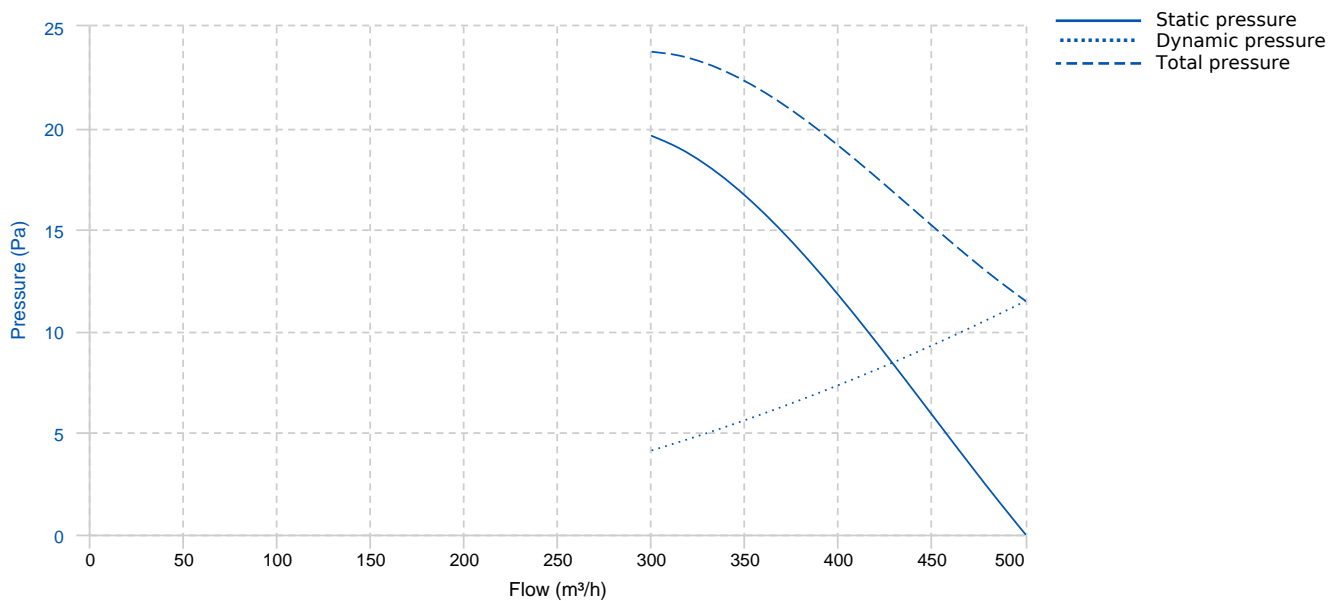
MANUFACTURING FEATURES

- Square plate made of galvanized steel sheet.
- Aluminium sheet impeller.
- Supplied with motor support and protection guard according to the UNE-EN 294 standard.
- Shaded-pole asynchronous motor, rated Class F isolation and IP-42.

APPLICATIONS

- Designed for wall assembly, they are suitable for:
- Air renewal in all kind of closed environments.
 - Maximum working temperature: 50°C.

PERFORMANCE CURVE



TECHNICAL DATA

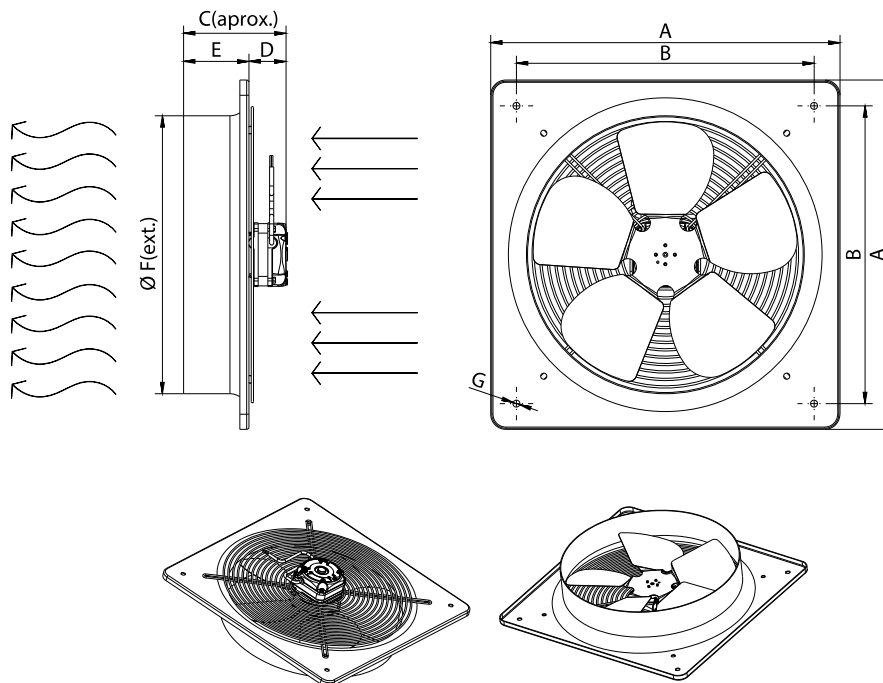
Fan

RPM	1300	Approx. weight	1.5 kg	Max. Flow	510 m³/h
-----	------	----------------	--------	-----------	----------

Motor

Power	0,005 kW	RPM	1300	I max. (230V)	0,21 A
-------	----------	-----	------	---------------	--------

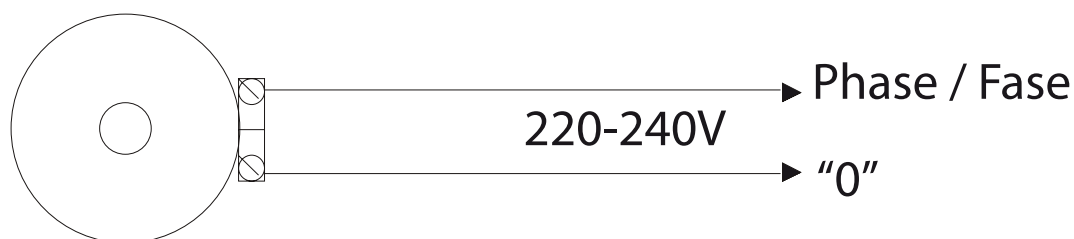
DIMENSIONS



Dimensions (mm)

A	312	B	262	C	97	D	49	E	48
ØF	201	ØG	7						

WIRING DIAGRAM



ACCESSORIES



MANUAL SINGLE PHASE SPEED CONTROLLER
REG 1,5A
REF: 960710015



SAFETY SWITCH
INT 25 3P A
REF: INT253PA

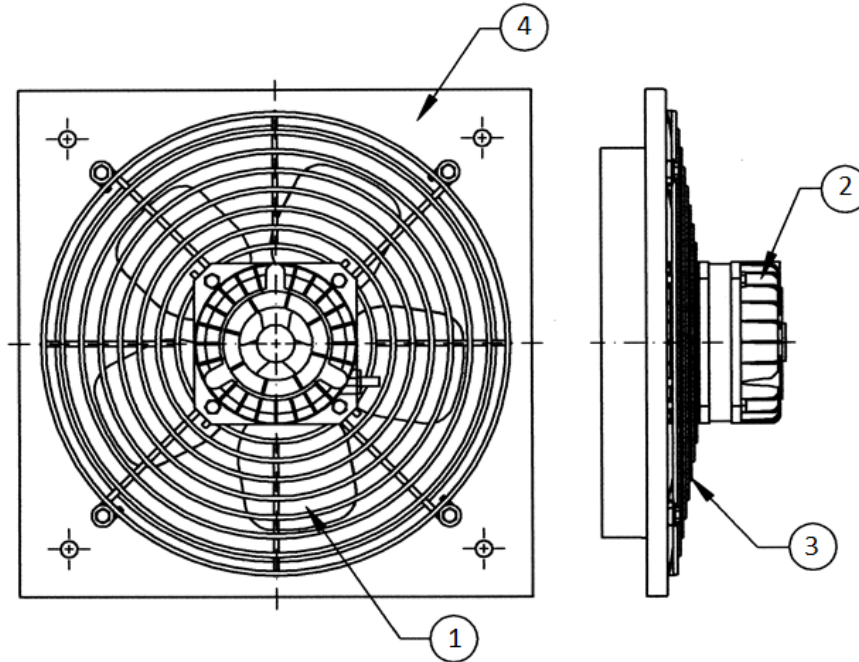


Outlet protection guard for axial fans
RPO 20
REF: 980000020



MANUAL SINGLE PHASE SPEED CONTROLLER
REGD-1
REF: 300782600

SPARE PARTS



	Code	Model	Qty
1	R-265243671	IMPELLER HJEM20 170/26 ALUMINIO	x1
2	720001006	MOTOR 5W M4 230V (HJEM)	x1
3	R-265201905	PROTECTION GRID HJEM20	x1
4	R-265201778A001	FRAME HJEM20	x1