

HJEM 25 M4 (265251103)

GENERAL DATA



SQUARE WALL PLATE FAN

MANUFACTURING FEATURES

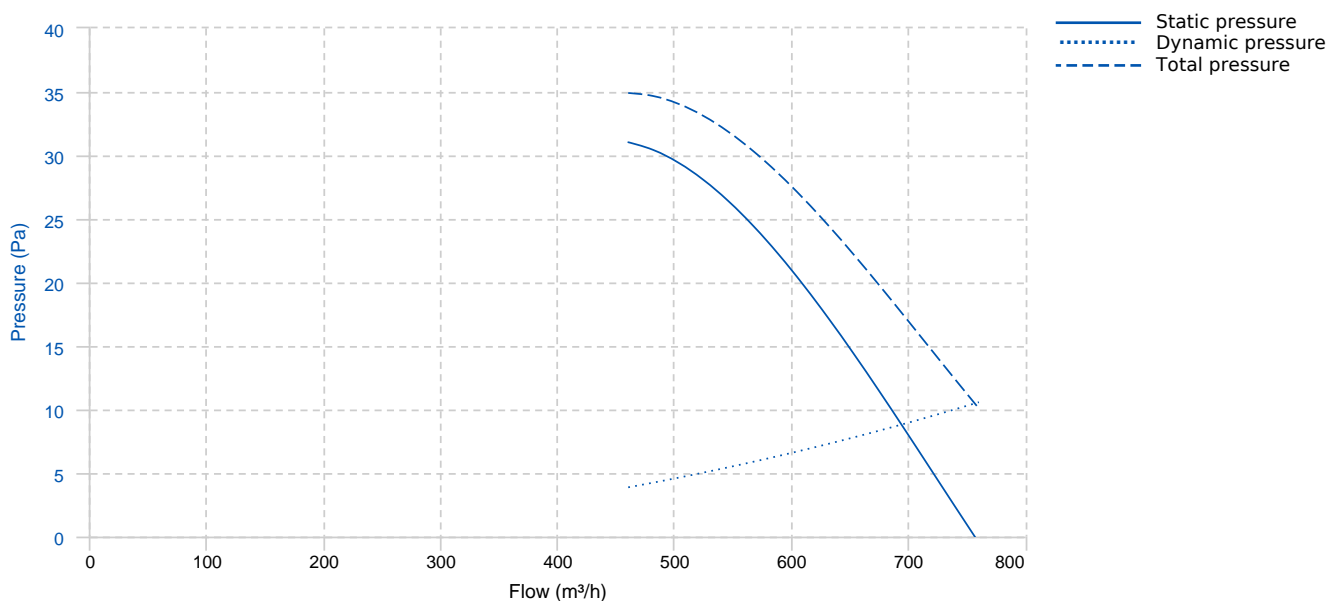
- Square plate made of galvanized steel sheet.
- Aluminium sheet impeller.
- Supplied with motor support and protection guard according to the UNE-EN 294 standard.
- Shaded-pole asynchronous motor, rated Class F isolation and IP-42.

APPLICATIONS

Designed for wall assembly, they are suitable for:

- Air renewal in all kind of closed environments.
- Maximum working temperature: 50°C.

PERFORMANCE CURVE



TECHNICAL DATA

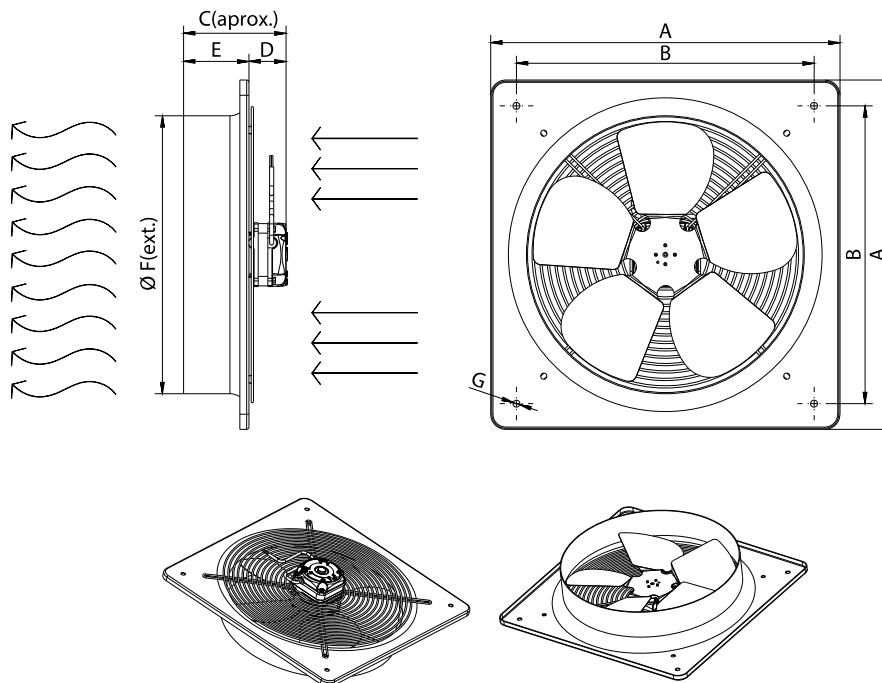
Fan

RPM	1300	Approx. weight	2.5 kg	Max. Flow	760 m³/h
-----	------	----------------	--------	-----------	----------

Motor

Power	0,012 kW	RPM	1300	I max. (230V)	0,35 A
-------	----------	-----	------	---------------	--------

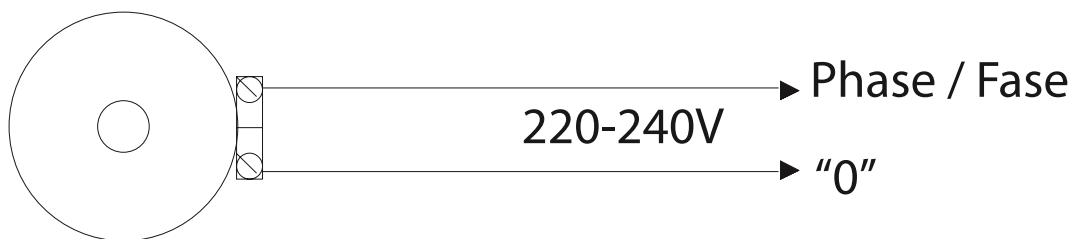
DIMENSIONS



Dimensions (mm)

A	370	B	320	C	100	D	50	E	52
ØF	253	ØG	7						

WIRING DIAGRAM



ACCESSORIES



MANUAL SINGLE PHASE SPEED CONTROLLER
REG 1,5A
REF: 960710015



SAFETY SWITCH
INT 25 3P A
REF: INT253PA

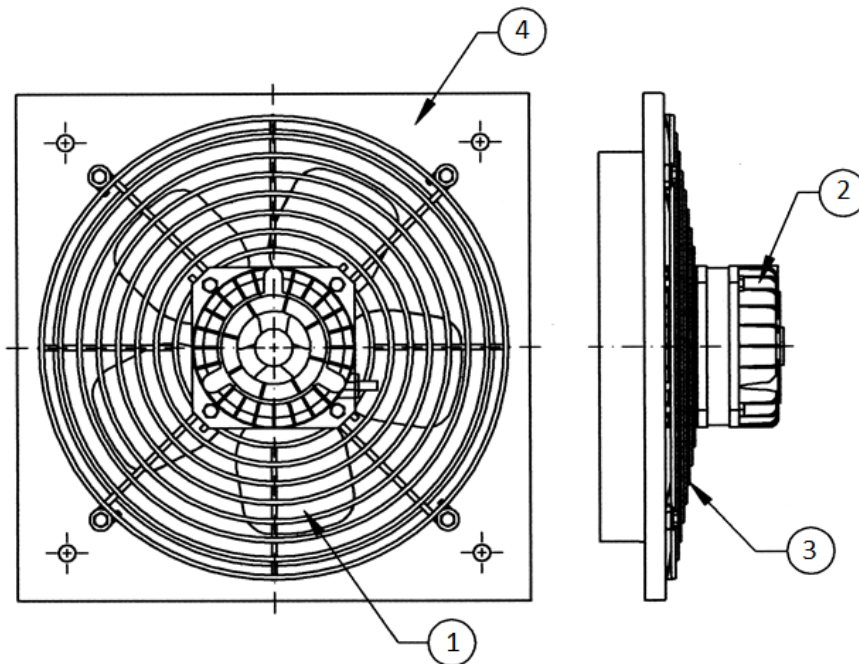


Outlet protection guard for axial fans
RP0 25
REF: 980000025



MANUAL SINGLE PHASE SPEED CONTROLLER
REGD-1
REF: 300782600

SPARE PARTS



	Code	Model	Qty
1	R-265273631	IMPELLER HJEM25 230/22 ALUMINIO	x1
2	720001009	MOTOR 12W M4 230V (HJEM)	x1
3	R-265251905	PROTECTION GRID HJEM25	x1
4	R-265251778A001	FRAME HJEM25	x1