

HJEM 30 M4 (265301103)

GENERAL DATA



SQUARE WALL PLATE FAN

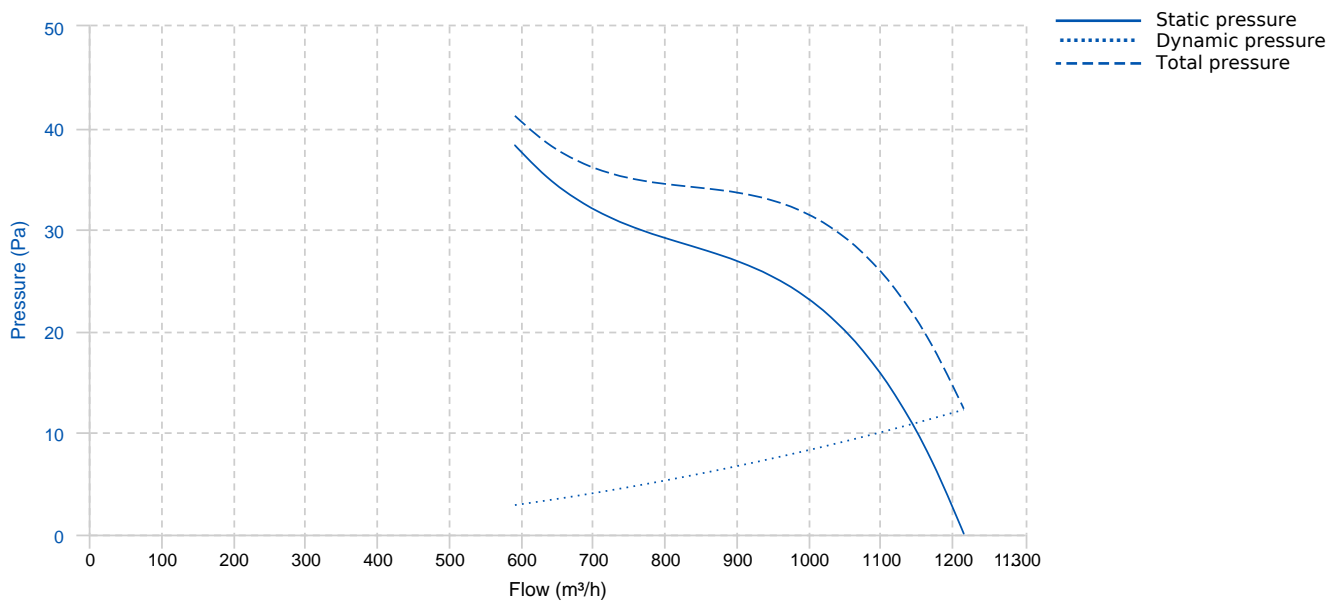
MANUFACTURING FEATURES

- Square plate made of galvanized steel sheet.
- Aluminium sheet impeller.
- Supplied with motor support and protection guard according to the UNE-EN 294 standard.
- Shaded-pole asynchronous motor, rated Class F isolation and IP-42.

APPLICATIONS

- Designed for wall assembly, they are suitable for:
- Air renewal in all kind of closed environments.
 - Maximum working temperature: 50°C.

PERFORMANCE CURVE



TECHNICAL DATA

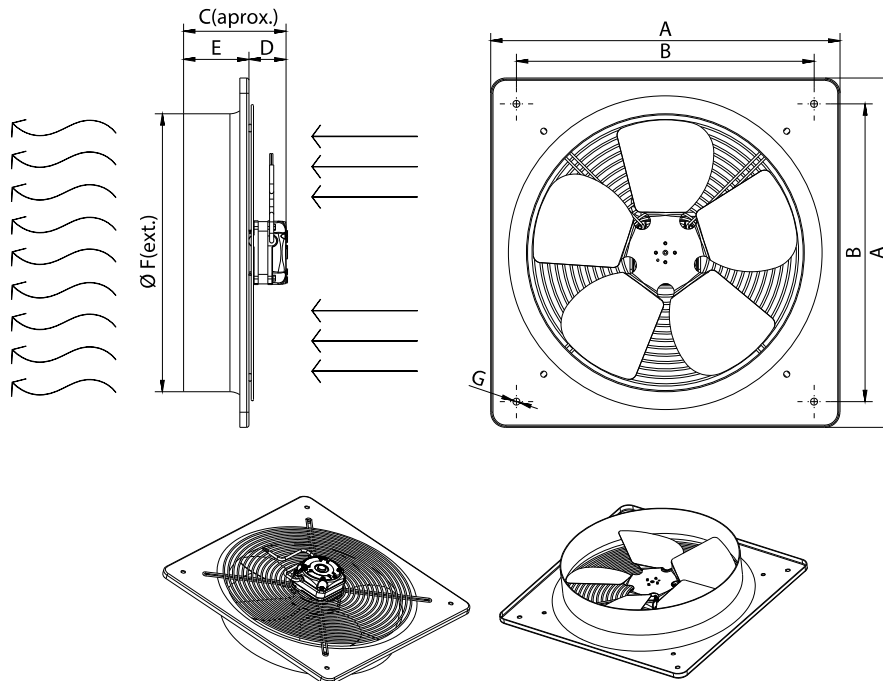
Fan

RPM	1300	Approx. weight	3.5 kg	Max. Flow	1220 m³/h
-----	------	----------------	--------	-----------	-----------

Motor

Power	0,025 kW	RPM	1300	I max. (230V)	0,7 A
-------	----------	-----	------	---------------	-------

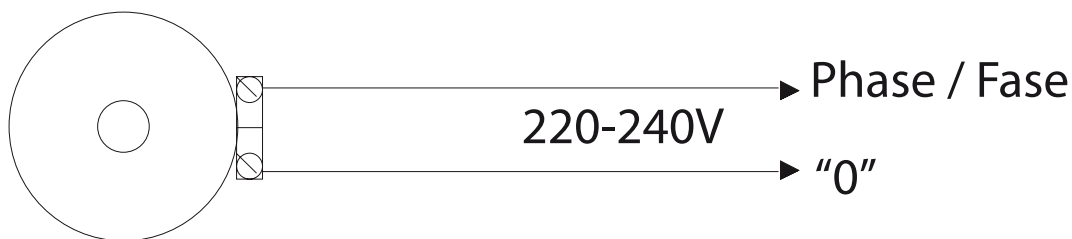
DIMENSIONS



Dimensions (mm)

A	404	B	337	C	156	D	74	E	82
ØF	308	ØG	9						

WIRING DIAGRAM



ACCESSORIES



MANUAL SINGLE PHASE SPEED CONTROLLER
REG 1,5A
REF: 960710015



SAFETY SWITCH
INT 25 3P A
REF: INT253PA

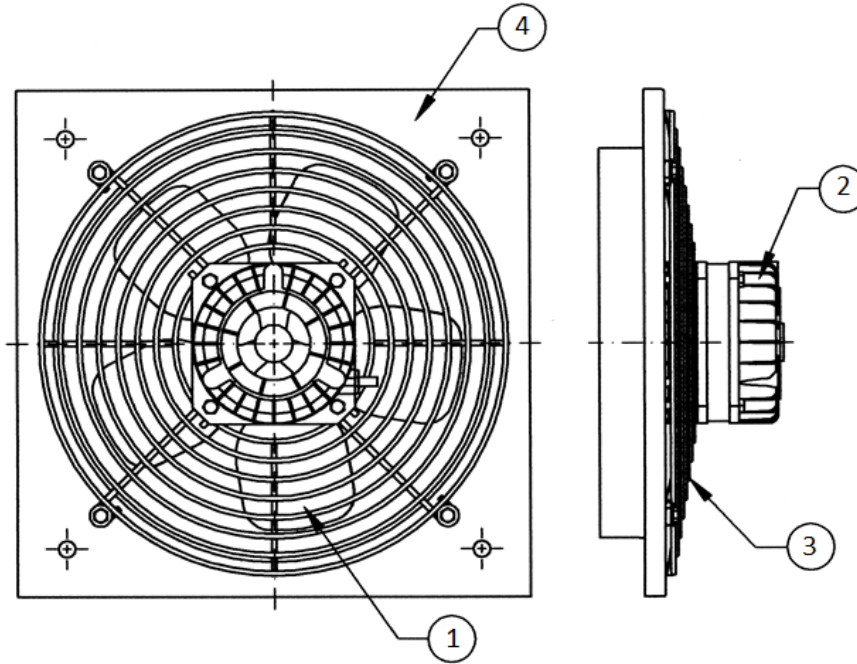


Outlet protection guard for axial fans
RP0 30
REF: 980000030



MANUAL SINGLE PHASE SPEED CONTROLLER
REGD-1
REF: 300782600

SPARE PARTS



	Code	Model	Qty
1	R-265293650	IMPELLER HJEM30 300/20 ALUMINIO	x1
2	720001011	MOTOR 25,5W M4 230V (HJEM)	x1
3	R-265301905	PROTECTION GRID HJEM30	x1
4	R-265311778A001	FRAME HJEM-HJBM30	x1