

IGNÉO 351 T4 0,55kW (IG351480)

GENERAL DATA



MEDIUM PRESSURE FAN WITH BACKWARD IMPELLER 400°C/2H CERTIFIED INSIDE THE HAZARDOUS AREA

MANUFACTURING FEATURES

- Medium pressure centrifugal fan with direct coupling.
- Reinforced housing made of carbon laminated steel, protected against corrosion by powder coating polyester resin RAL 5010. Finish C3.
- Casing fully latched and adjustable.
- Self-cleaning turbine and reinforced impeller with high-performance backward (reaction) blades made of carbon laminated steel dynamically balanced to minimize noise and vibrations. Graffiti black RAL 9005.
- Motor with S1 service class for continuous operation and approved 400°C / 2h for service class S2. IEC standardized asynchronous squirrel-cage motor with IP-55 protection and electrical insulation class H. Standard voltages 400V(Y) 50Hz in three phase motors up to 3kW and 400(D) 50Hz for higher powers.
- Motor with foot (B3) supported on motor support foot.
- Models of size 500 and above are supplied with a front support foot, for the other models the front support foot is optional.
- Inspection door to facilitate maintenance and cleaning.
- Available in the following orientations (to be indicated in case of order): LG0, LG45, LG90, LG135, LG180; LG225, LG270, LG315, RD0, RD45, RD90, RD135, RD180; RD225, RD270, RD315.
- Maximum working temperature in continuous: air transported: 130°C (service S1) and 400°C/2h (service S2), and maximum environment temperature: 60°C.

APPLICATIONS

Installation in conduit for the impulsion or aspiration of clean and dusty air in:

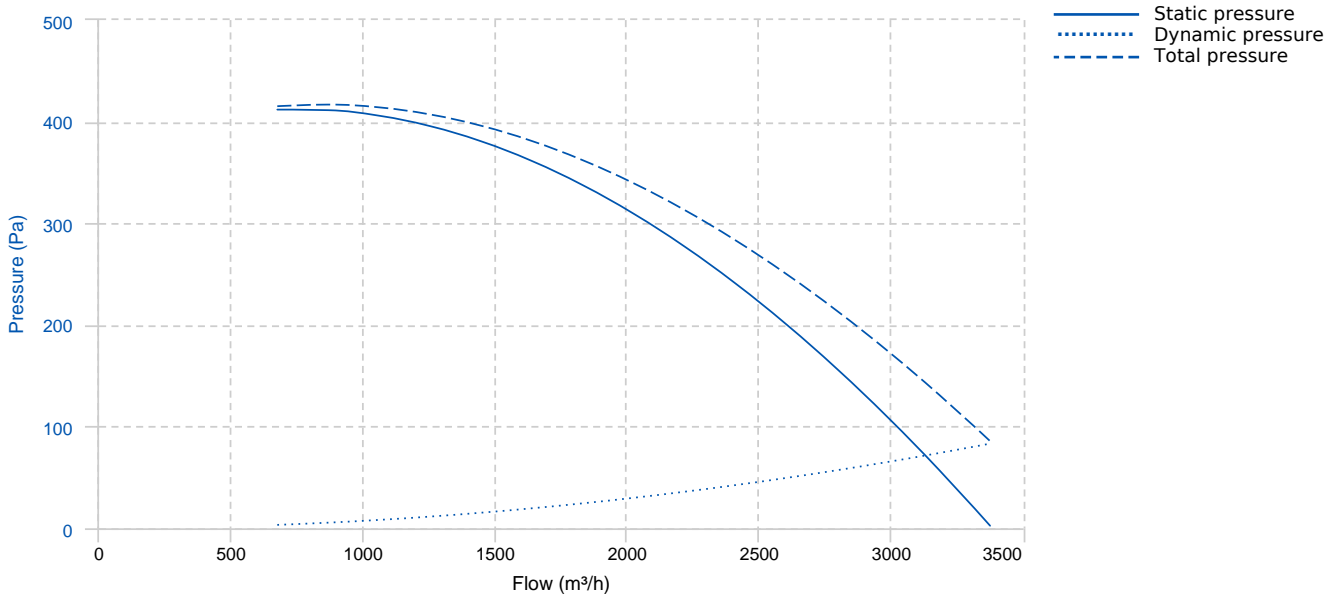
- Big buildings
- Malls
- Factories / Industrial buildings
- Warehouses
- Parking lots
- Catering / Hospitality
- Extraction of smoke
- Boilers and ovens
- Manufacture and treatment of chemical products.
- Tunnels, underground stations.

UNDER REQUEST

- Fans to work at 60Hz and special voltages.
- 2 speed motor.
- C4-C5
- Hot dip galvanized
- Fully welded housing (watertight)
- Drain plug

Official homologation by the European laboratory APPLUS according to EN 12101-3:2015

PERFORMANCE CURVE

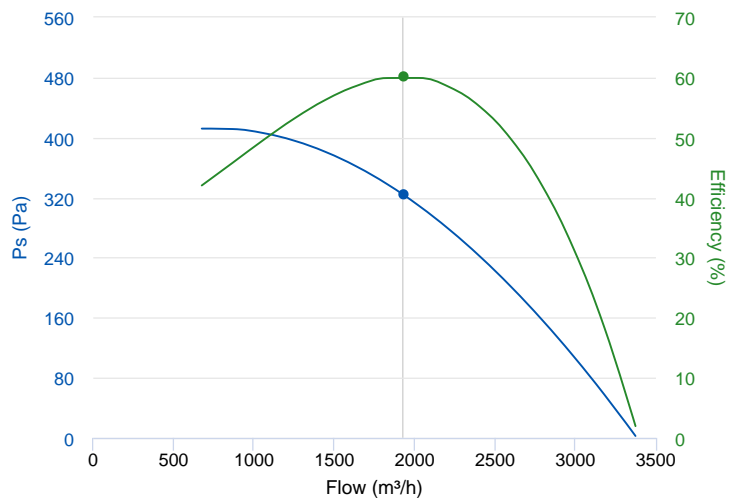


TECHNICAL DATA

Fan							
RPM	1398	Approx. weight	65 kg	Max. Flow	3560 m³/h		
Motor							
Power	0,55 kW	RPM	1398	I max. (400V)	1,42 A	Size	80
Approx. weight	11 kg	Efficiency (%)	75.8 %	FP	0.78		

ERP DATA

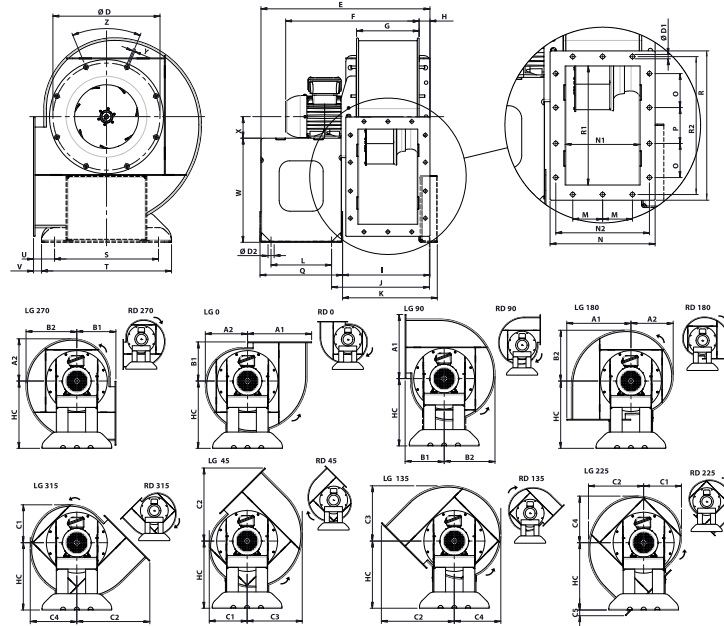
Fan data sheet		
Fan type	Centrifugal fan backward blades with casing	
Installation category	A: Outlet and Inlet free discharge	
Efficiency category	Static	
The fan has to be installed with VF	No	
Motor power (kW)	0.55	
	Fan values	ERP Requirements 2015
Max. efficiency (%)	60.1	41.85
Efficiency grade (N)	76.19	57.95
Pabs (kW)	0.293	
Flow (m³/h)	1930.56	
Static pressure (Pa)	323.68	
Speed (m/s)	1398	



Fan values	ERP Requirements 2015
------------	-----------------------

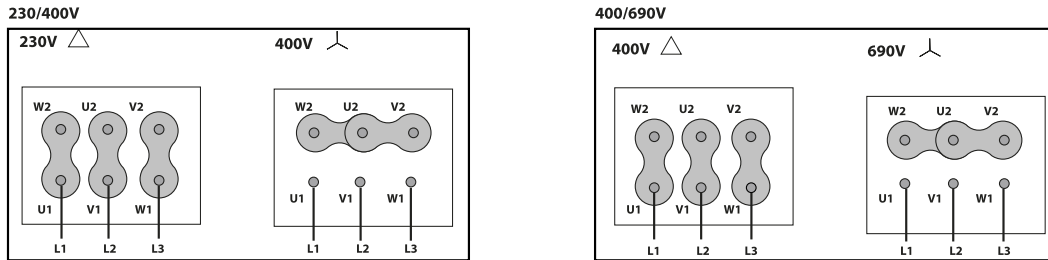
Specific ratio	1.00
----------------	------

DIMENSIONS



Dimensions (mm)									
A1	441.8	A2	292.4	B1	266.2	B2	352.6	C1	262.3
C2	500.6	C3	382.7	C4	322.5	C5	40	D	394.5
D1	11.5	D2	20	E	594.8	F	468	G	233
H	35.5	HC	460.6	I	352.4	J	314.9	K	339.4
L	205	M	92	N	304	N1	224	N2	274
O	105	P	105	Q	282.9	R	435	R1	355
R2	405	S	397	T	473	U	67.7	V	29.7
W	389.6	X	71	Y	M8	Z	8holes x45°		

WIRING DIAGRAM



ACCESSORIES



SAFETY SWITCH
INT 25 3P A
REF: INT253PA



INLET PROTECTION GUARD FOR CENTRIFUGAL FANS
RA 35/14
REF: 253481901



CONNECTION FLANGE
AC 350
REF: 960003211



ANTI-VIBRATING FLANGE 400°/2H
BA-400 35
REF: 960002053



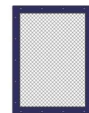
ANTI-VIBRATION JOINT
JE 45
REF: 300719201



SAFETY SWITCH FOR 400°c/2h
INT 400 25A 3P
REF: 508902501



OUTLET FLANGE FOR STORM MODELS
EIS 355x224-350
REF: EIS-3522435



OUTLET PROTECTION GUARD FOR STORM FANS
RIS 355x224
REF: RIS-35224E2



CIRCULAR-CIRCULAR COUPLING FLANGE FOR HIGH TEMPERATURES
BADS M0 350
REF: BADS-3535F4



RECTANGULAR-RECTANGULAR COUPLING FLANGE FOR HIGH TEMPERATURES
BIDS M0 224x355-200
REF: BIDS-35224F4



FREQUENCY SPEED CONTROLLER
SFC 230 I 4,2A *
REF: SFC230I004



FREQUENCY SPEED CONTROLLER
SFC 400 III 2,2A *
REF: SFC400III2



ANTI-VIBRATION RUBBER BLOCK
AVR (GENERIC)



ANTI-VIBRATION SPRING BLOCK
AVS (GENERIC)

**ACOUSTIC CABINS FOR CENTRIFUGAL FANS
AB (GENERIC)**



**FRONTAL FEET SUPORT
CPD-N35
REF: CPD-N35**



**MULTIPOSITION FRONTAL FEET SUPPORT
CPDMP-N35
REF: CPDMP-N35**