

IGNÉO 631 T4 5,5kW (IG6314132)

GENERAL DATA



MEDIUM PRESSURE FAN WITH BACKWARD IMPELLER 400°C/2H CERTIFIED INSIDE THE HAZARDOUS AREA

MANUFACTURING FEATURES

- Medium pressure centrifugal fan with direct coupling.
- Reinforced housing made of carbon laminated steel, protected against corrosion by powder coating polyester resin RAL 5010. Finish C3.
- Casing fully latched and adjustable.
- Self-cleaning turbine and reinforced impeller with high-performance backward (reaction) blades made of carbon laminated steel dynamically balanced to minimize noise and vibrations. Graffiti black RAL 9005.
- Motor with S1 service class for continuous operation and approved 400°C / 2h for service class S2. IEC standardized asynchronous squirrel-cage motor with IP-55 protection and electrical insulation class H. Standard voltages 400V(Y) 50Hz in three phase motors up to 3kW and 400(D) 50Hz for higher powers.
- Motor with foot (B3) supported on motor support foot.
- Models of size 500 and above are supplied with a front support foot, for the other models the front support foot is optional.
- Inspection door to facilitate maintenance and cleaning.
- Available in the following orientations (to be indicated in case of order): LG0, LG45, LG90, LG135, LG180; LG225, LG270, LG315, RD0, RD45, RD90, RD135, RD180; RD225, RD270, RD315.
- Maximum working temperature in continuous: air transported: 130°C (service S1) and 400°C/2h (service S2), and maximum environment temperature: 60°C.

APPLICATIONS

Installation in conduit for the impulsion or aspiration of clean and dusty air in:

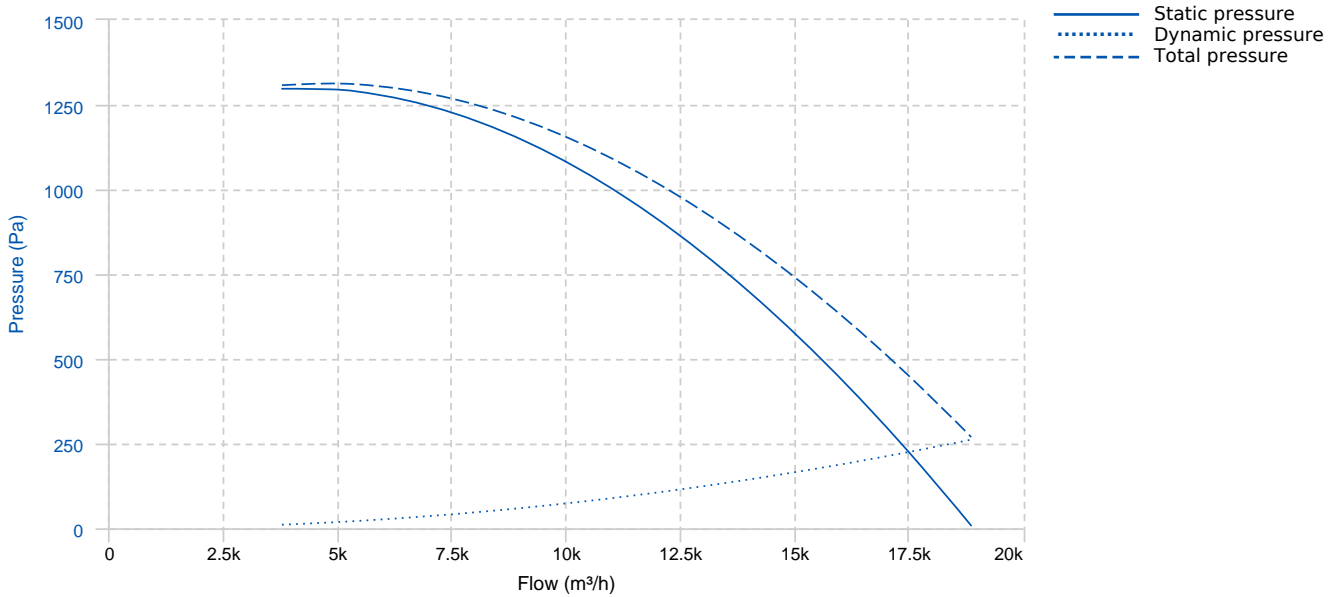
- Big buildings
- Malls
- Factories / Industrial buildings
- Warehouses
- Parking lots
- Catering / Hospitality
- Extraction of smoke
- Boilers and ovens
- Manufacture and treatment of chemical products.
- Tunnels, underground stations.

UNDER REQUEST

- Fans to work at 60Hz and special voltages.
- 2 speed motor.
- C4-C5
- Hot dip galvanized
- Fully welded housing (watertight)
- Drain plug

Official homologation by the European laboratory APPLUS according to EN 12101-3:2015

PERFORMANCE CURVE

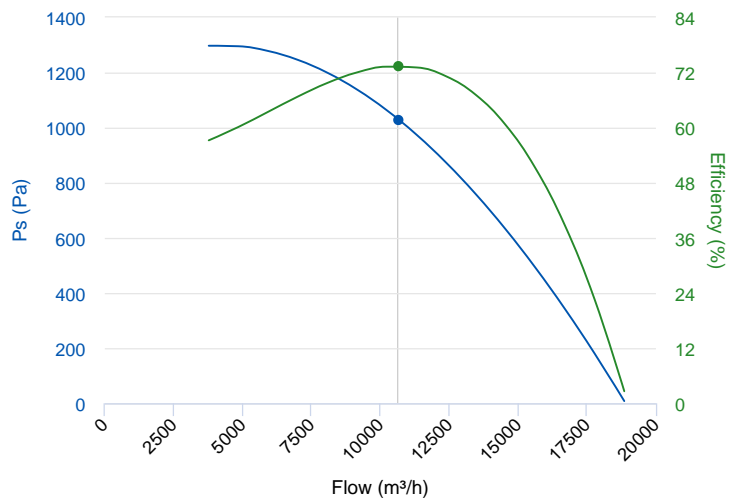


TECHNICAL DATA

Fan							
RPM	1450	Approx. weight	214 kg	Max. Flow	19850 m³/h		
Motor							
Power	5,5 kW	RPM	1450	I max. (400V)	10,58 A	Size	132S
Approx. weight	63 kg	Efficiency (%)	88.9 %	FP	0.86		

ERP DATA

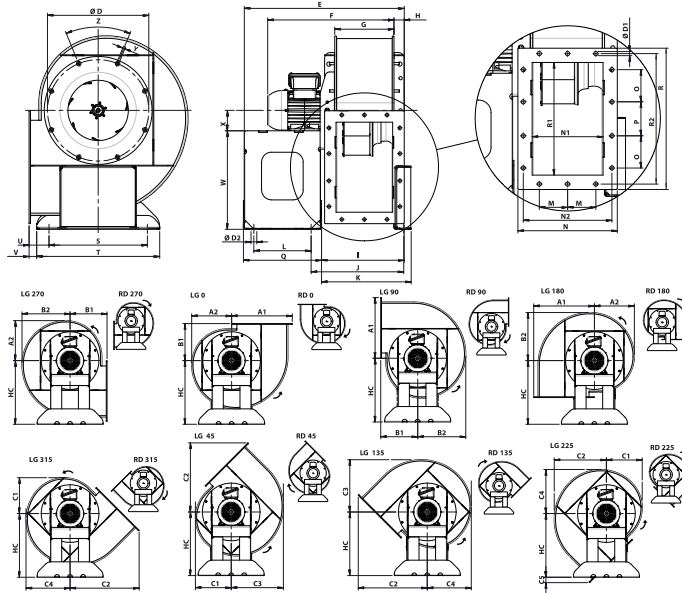
Fan data sheet		
Fan type	Centrifugal fan backward blades with casing	
Installation category	A: Outlet and Inlet free discharge	
Efficiency category	Static	
The fan has to be installed with VF	No	
Motor power (kW)	5.5	
	Fan values	ERP Requirements 2015
Max. efficiency (%)	73.4	54.01
Efficiency grade (N)	77.33	57.95
Pabs (kW)	4.218	
Flow (m³/h)	10668.6	
Static pressure (Pa)	1029.32	
Speed (m/s)	1450	



Fan values	ERP Requirements 2015
------------	-----------------------------

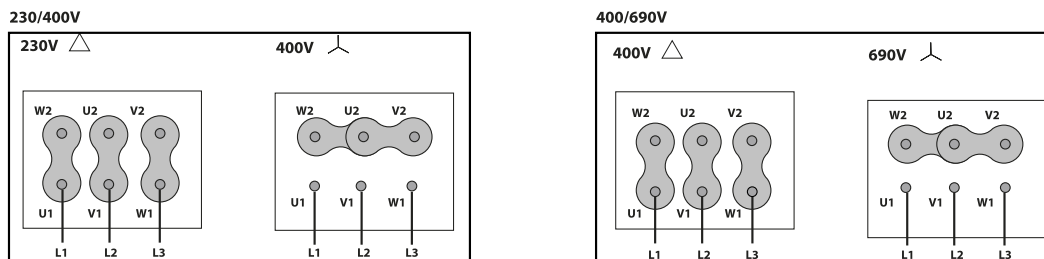
Specific ratio	1.01
----------------	------

DIMENSIONS



Dimensions (mm)									
A1	753.3	A2	510.5	B1	437.6	B2	617.4	C1	457.05
C2	842.09	C3	670.85	C4	563.95	C5	67.09	D	675
D1	11.5	D2	20	E	997.61	F	813	G	407
H	58.5	HC	775	I	509.43	J	553.1	K	542.53
L	385	M	169	N	478	N1	398	N2	448
O	190	P	190	Q	465.19	R	710	R1	630
R2	680	S	487	T	563	U	194.1	V	156.1
W	643	X	132	Y	M8	Z	16x22,5 ^ø		

WIRING DIAGRAM



ACCESSORIES



SAFETY SWITCH
INT 25 3P A
REF: INT253PA



CONNECTION FLANGE
AC 630
REF: 960003216



ANTI-VIBRATION JOINT
JE 45
REF: 300719201



OUTLET FLANGE FOR STORM MODELS
EIS 630x398-630
REF: EIS-6339863



CIRCULAR-CIRCULAR COUPLING FLANGE FOR HIGH TEMPERATURES
BADS M0 630
REF: BADS-6363F4



FREQUENCY SPEED CONTROLLER
SFC 400 III 12A *
REF: SFC400III12



ANTI-VIBRATION SPRING BLOCK
AVS (GENERIC)



INLET PROTECTION GUARD FOR CENTRIFUGAL FANS
RA 63/20
REF: 254541901



ANTI-VIBRATING FLANGE 400°/2H
BA-400 63
REF: 960002057



SAFETY SWITCH FOR 400°C/2h
INT 400 25A 3P
REF: 508902501



OUTLET PROTECTION GUARD FOR STORM FANS
RIS 630x398
REF: RIS-63398E2



RECTANGULAR-RECTANGULAR COUPLING FLANGE FOR HIGH TEMPERATURES
BIDS M0 398x630-200
REF: BIDS-63398F4



ANTI-VIBRATION RUBBER BLOCK
AVR (GENERIC)



ACOUSTIC CABINS FOR CENTRIFUGAL FANS
AB (GENERIC)



FRONTAL FEET SUPORT
CPD-N63
REF: CPD-N63



MULTIPOSITION FRONTAL FEET SUPPORT
CPDMP-N63
REF: CPDMP-N63