

JFC CORE 315 T2 UN F300 (274300188F3)

GENERAL DATA



LONG CASE AXIAL FAN 300°C/2H

MANUFACTURING FEATURES:

- Long case axial fan with reinforced body.
- Modular motor-impeller assembly. Cast aluminium impeller with variable pitch angle. Polyester powder finishing coat.
- Housing with motor access door for easy connection.
- Standard asynchronous squirrel-cage motor with IP-55 protection and Class H insulation certified 300°C/2h. Manufactured with standard voltages: 400V(Y) 50Hz for 1 speed motors and 400V 50Hz for 2 speed motors.

APPLICATIONS:

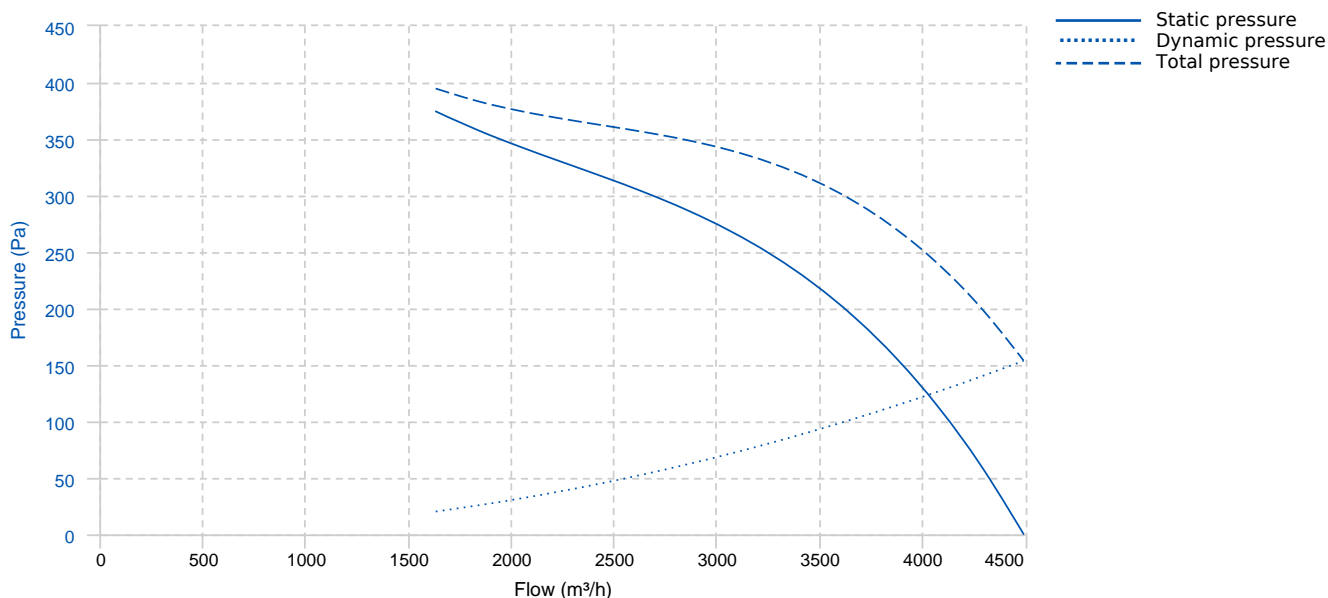
Designed for inline installation, they are suitable for:

- Smoke emergency exhaust with motor inside the hazardous area.
- Maximum working temperature: 60°C.

UNDER REQUEST:

- Supply impeller (air direction from impeller to motor).
- 100% reversible impeller.

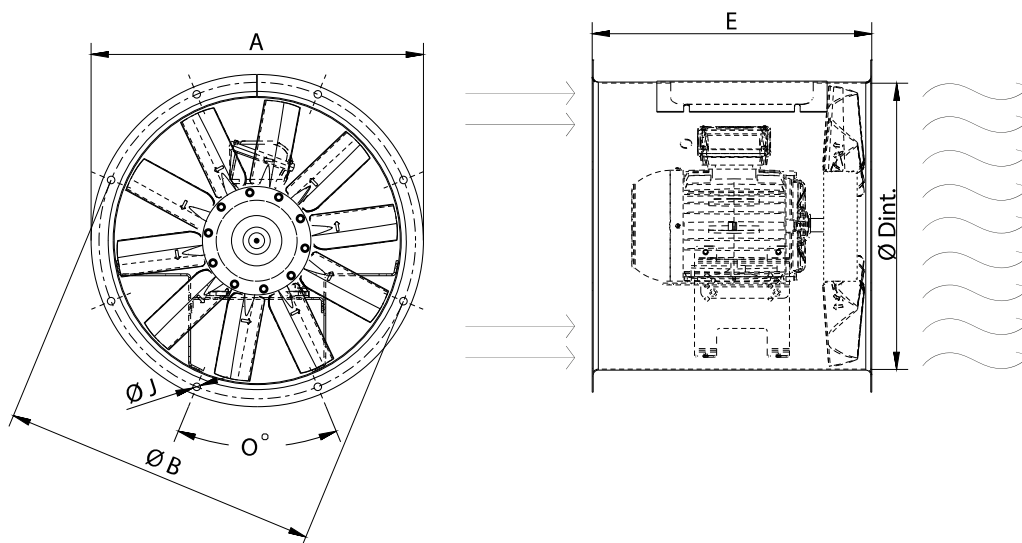
PERFORMANCE CURVE



TECHNICAL DATA

Fan							
RPM	2780	Approx. weight	23 kg	Max. Flow	4500 m³/h		
Motor							
Power	0,55 kW	RPM	2780	I max. (400V)	1,36 A	Approx. weight	12 kg

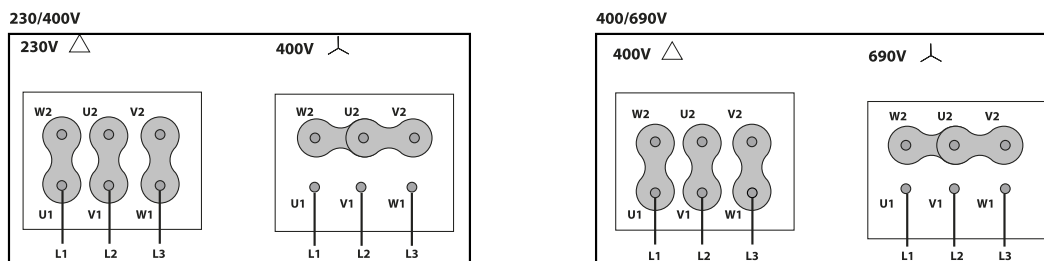
DIMENSIONS



Dimensions (mm)

A	374	E	380	J	10	O	8x45°	ØB	355
ØD	306								

WIRING DIAGRAM



ACCESSORIES



SAFETY SWITCH
INT 25 3P A
REF: INT253PA



ANTI-VIBRATING FLANGE 400°/2H
BA-400 30/31
REF: 960002052



CIRCULAR SILENCER
SIL-C 315/315
REF: 960315315



CIRCULAR SILENCER
SIL-C 315/ 630
REF: 960315063



CIRCULAR SILENCER
SIL-CN 315/472
REF: 961315472



CIRCULAR SILENCER
SIL-C 315/472
REF: 960315472



CIRCULAR SILENCER
SIL-CN 315/315
REF: 961315315



CIRCULAR SILENCER
SIL-CN 315/ 630
REF: 961315063



SAFETY SWITCH FOR 400°C/2h
INT 400 25A 3P
REF: 508902501



CIRCULAR-CIRCULAR ANTI-VIBRATION FLANGE
BAD 9 (Ø300)
REF: 960003459



CONNECTION FLANGE
AC 300
REF: 960003209



CEILING ANTI-VIBRATION SPRING BLOCK
AVT (GENERIC)