

# JFC CORE 355 T2 UN CONFORT (274350188ST)

## GENERAL DATA



LONG CASE CONFORT AXIAL FAN

MANUFACTURING FEATURES:

- Long case axial fan with reinforced body.
- Modular motor-impeller assembly. Polyamide impeller with variable pitch angle. Polyester powder finishing coat.
- Housing with motor access door for easy connection.
- Standard asynchronous squirrel-cage motor with IP-55 protection and Class F. Manufactured with standard voltages: 230/400V 50Hz) for 1 speed motors and 400V 50Hz for 2 speed motors.

APPLICATIONS:

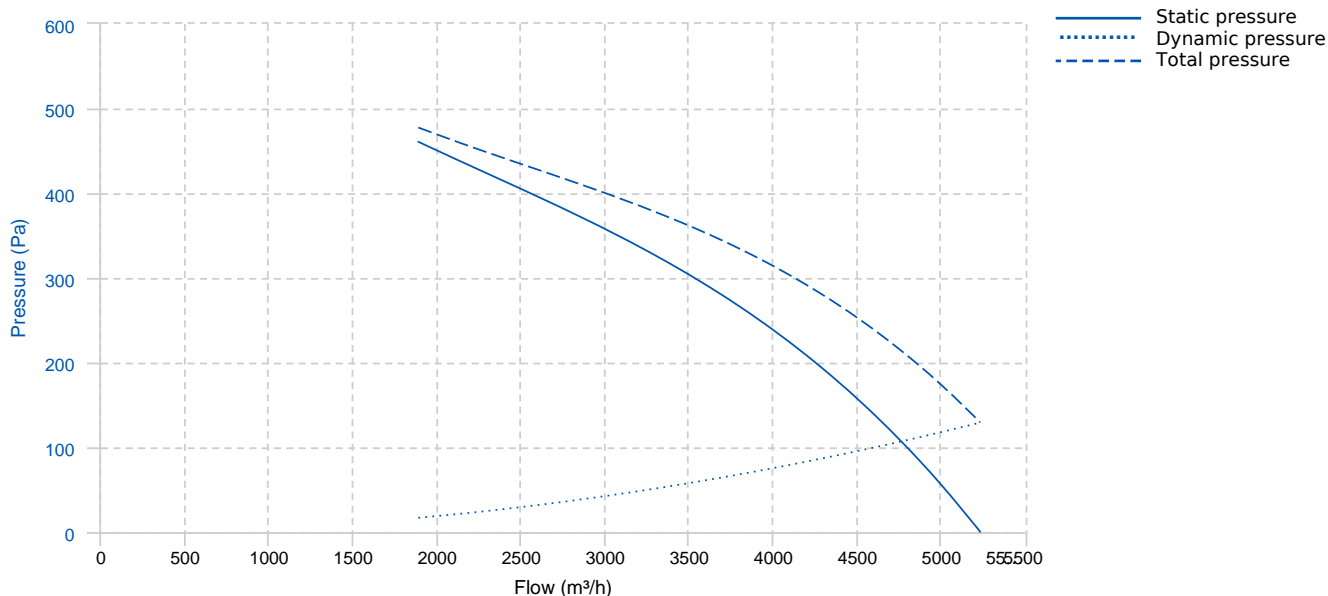
Designed for inline installation, they are suitable for:

- Smoke emergency exhaust with motor inside the hazardous area.
- Maximum working temperature: 60°C.

UNDER REQUEST:

- Supply impeller (air direction from impeller to motor).
- 100% reversible impeller.
- Cast aluminium impeller

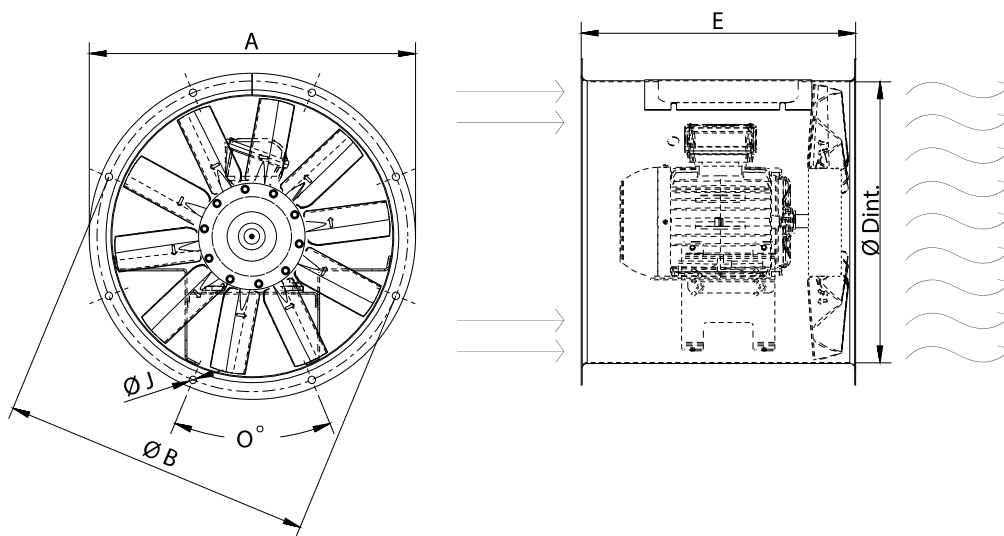
## PERFORMANCE CURVE



## TECHNICAL DATA

Fan							
RPM	2780	Approx. weight	29 kg	Max. Flow	5230 m³/h		
Motor							
Power	0,55 kW	RPM	2780	I max. (400V)	1,36 A	Approx. weight	12 kg

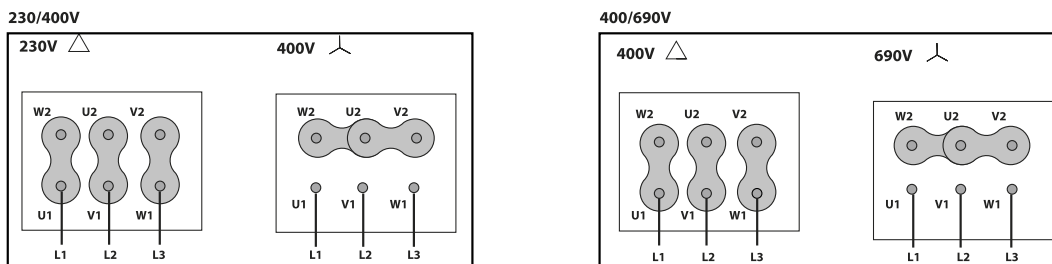
## DIMENSIONS



### Dimensions (mm)

A	434	E	380	J	10	O	8x45°	ØB	395
ØD	361								

## WIRING DIAGRAM



## ACCESSORIES



**CEILING ANTI-VIBRATION SPRING BLOCK  
AVT (GENERIC)**

