

JFC CORE 400/H T2 UN F300 (274410188F3)

GENERAL DATA



LONG CASE AXIAL FAN 300°C/2H

MANUFACTURING FEATURES:

- Long case axial fan with reinforced body.
- Modular motor-impeller assembly. Cast aluminium impeller with variable pitch angle. Polyester powder finishing coat.
- Housing with motor access door for easy connection.
- Standard asynchronous squirrel-cage motor with IP-55 protection and Class H insulation certified 300°C/2h. Manufactured with standard voltages: 400V(Y) 50Hz for 1 speed motors and 400V 50Hz for 2 speed motors.

APPLICATIONS:

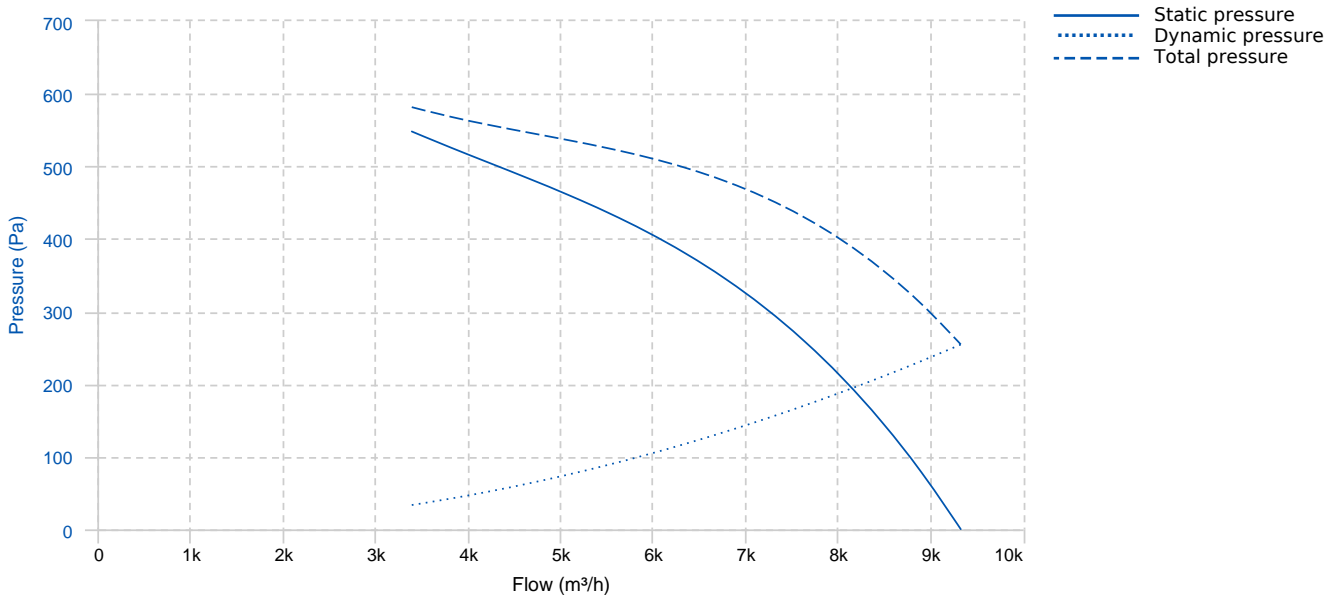
Designed for inline installation, they are suitable for:

- Smoke emergency exhaust with motor inside the hazardous area.
- Maximum working temperature: 60°C.

UNDER REQUEST:

- Supply impeller (air direction from impeller to motor).
- 100% reversible impeller.

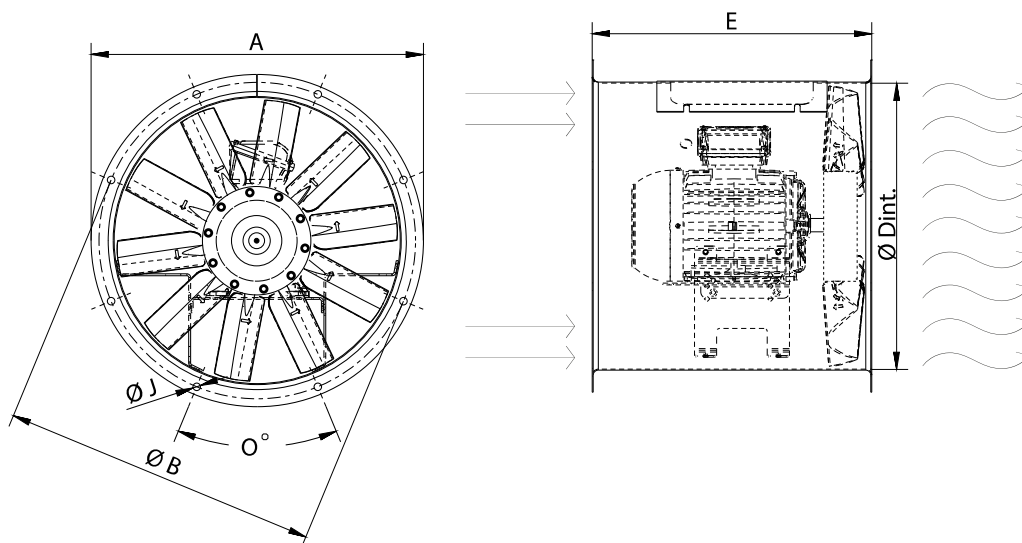
PERFORMANCE CURVE



TECHNICAL DATA

Fan							
RPM	2825	Approx. weight	54 kg	Max. Flow	9330 m³/h		
Motor							
Power	1,5 kW	RPM	2825	I max. (400V)	3,14 A	Size	90S
Approx. weight	17.5 kg	Efficiency (%)	82 %	FP	0.84		

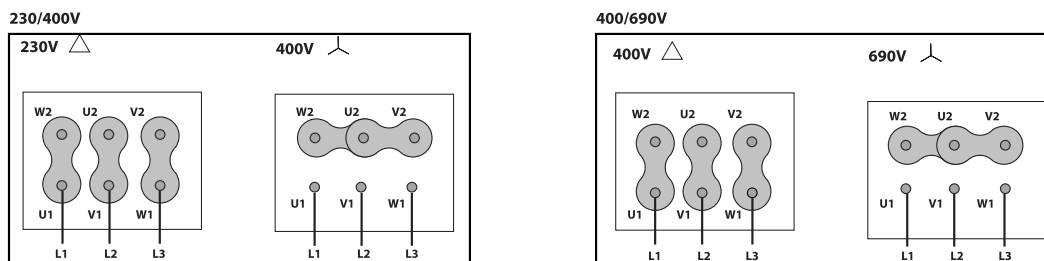
DIMENSIONS



Dimensions (mm)

A	472	E	425	J	10	O	8x45°	ØB	450
ØD	401								

WIRING DIAGRAM



ACCESSORIES



SAFETY SWITCH
INT 25 3P A
REF: INT253PA



PROTECTION GUARD FOR LONG CASE AXIAL FANS
RP 40
REF: 960300101



**CASE FANS MOUNTING SUPPORT
PO 40**
REF: 960001654



**CONECTION FLANGE
AC 400**
REF: 960003212



**ANTI-VIBRATING FLANGE 400°/2H
BA-400 40**
REF: 960002054



**CIRCULAR SILENCER
SIL-C 400/400**
REF: 960040040



**CIRCULAR SILENCER
SIL-C 400/600**
REF: 960040060



**CIRCULAR SILENCER
SIL-C 400/800**
REF: 960040080



**CIRCULAR SILENCER
SIL-CN 400/400**
REF: 961040040



**CIRCULAR SILENCER
SIL-CN 400/600**
REF: 961040060



**CIRCULAR SILENCER
SIL-CN 400/800**
REF: 961040080



**SAFETY SWITCH FOR 400°C/2h
INT 400 25A 3P**
REF: 508902501



**CIRCULAR-CIRCULAR ANTI-VIBRATION FLANGE
BAD 11 (Ø400)**
REF: 960003461



**CEILING ANTI-VIBRATION SPRING BLOCK
AVT (GENERIC)**