

LÍDERO 150 (LID150)

GENERAL DATA



EXTRACTOR WITH AUTOMATIC NON-RETURN BACK DRAUGHT SHUTTER FOR WALL AND CEILING INSTALLATION.

MANUFACTURING FEATURES:

Extractor for wall or ceiling installation with automatic non-return back draught shutter to prevent the entry of unwanted or contaminating air. High airflow rate, low operating noise level and low power consumption due to the wing profile blade and motor support. Housing and impeller made of UV-resistant ABS plastic (prevents aging caused by exposure to sunlight). Self-lubricated bushings motor protected against thermal overload. Maximum working temperature in continuous: 50°C. IPX4 protection. IMQ Safety certificate to guaranty the electromechanical compatibility.

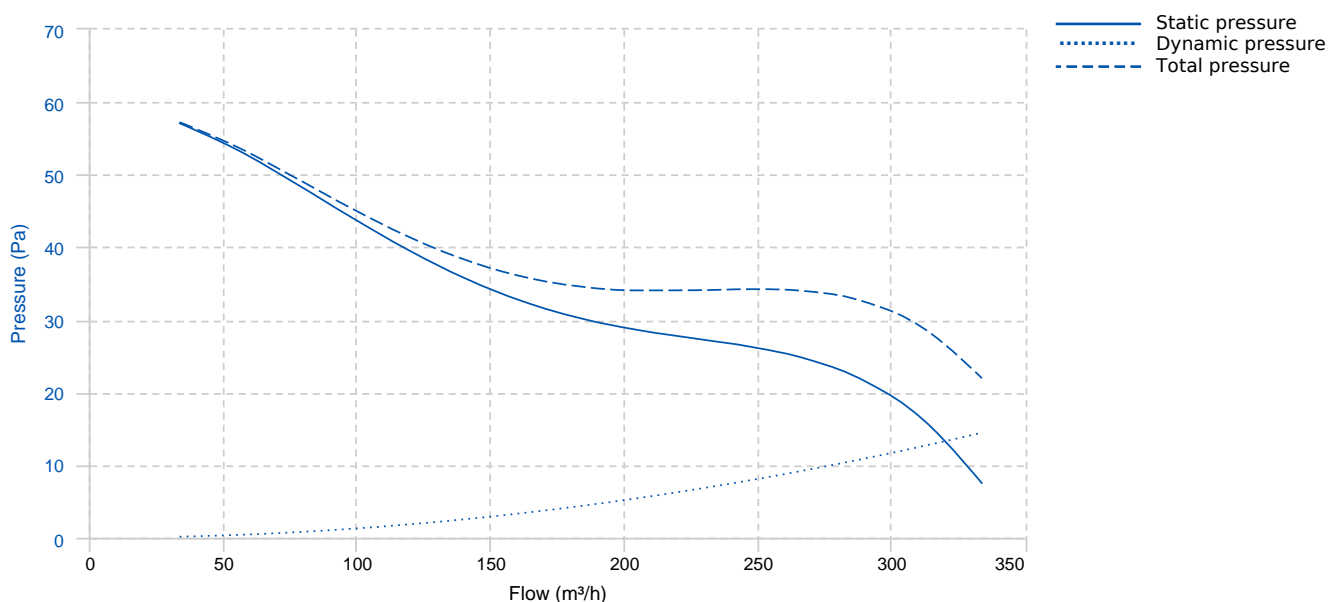
Options:

- Basic "without automatic back draught shutter"
- Automatic back draught shutter (B)
- Humidity sensor (HR) and timer (T)
- Motion sensor (Motion)

APPLICATIONS:

For intermittent or continuous ventilation in bathrooms, toilets, kitchens, dining rooms, living rooms, domestic and commercial spaces.
To be installed in ventilation ducts. Compatible with 100, 120 and 150 air ducts.

PERFORMANCE CURVE



TECHNICAL DATA

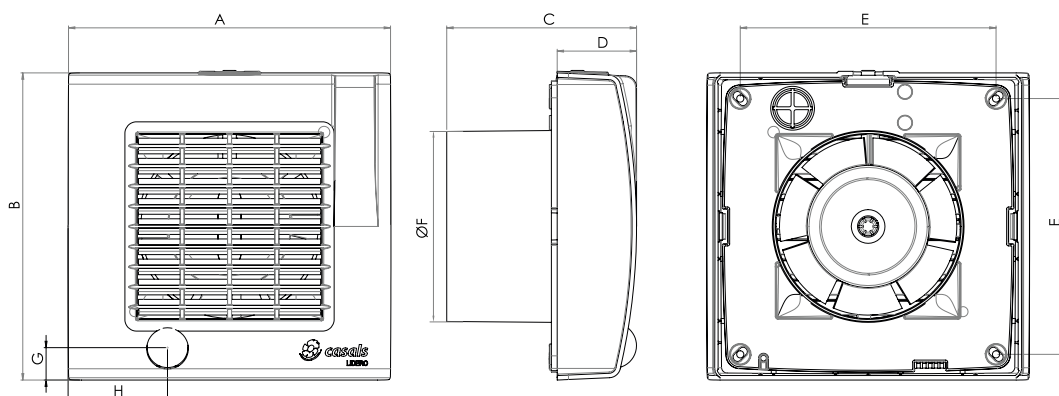
Fan

RPM	2100	Approx. weight	1.28 kg	Max. Flow	340 m³/h
-----	------	----------------	---------	-----------	----------

Motor

Power	0.03 kW	RPM	2100	I max. (230V)	0,15 A
-------	---------	-----	------	---------------	--------

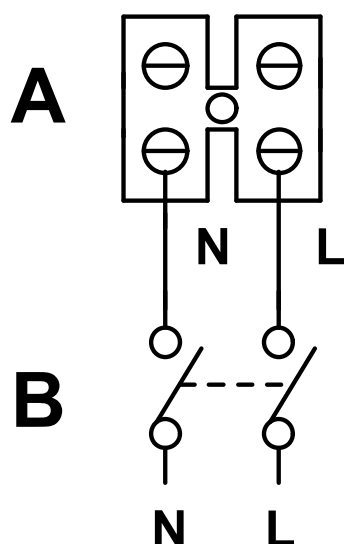
DIMENSIONS



Dimensions (mm)

A	222	B	214	C	118	D	44.5	E	185
F	155	G	16.5	H	51				

WIRING DIAGRAM



A) Terminal block
Bornes

B) 2 poles switch
Interruptor bipolar



ACCESSORIES
