

MA 18 M2 0,09kW (253180162)

GENERAL DATA



RADIAL ALUMINIUM IMPELLER FAN, STEEL SHEET CASING

MANUFACTURING FEATURES:

- Rolling steel sheet housing.
 - Cast aluminium impeller.
 - Polyester powder finishing coat.
 - Standard asynchronous squirrel-cage motor with IP-55 protection and Class F insulation.
- Manufactured with standard voltages: 230V 50Hz in single phase motors and 230/400V 50Hz in three phase motors

- Available positions (to be indicated in case of order): LG 270, LG0, LG90, LG180.
- The indicated codes correspond to the model in position LG270

APPLICATIONS:

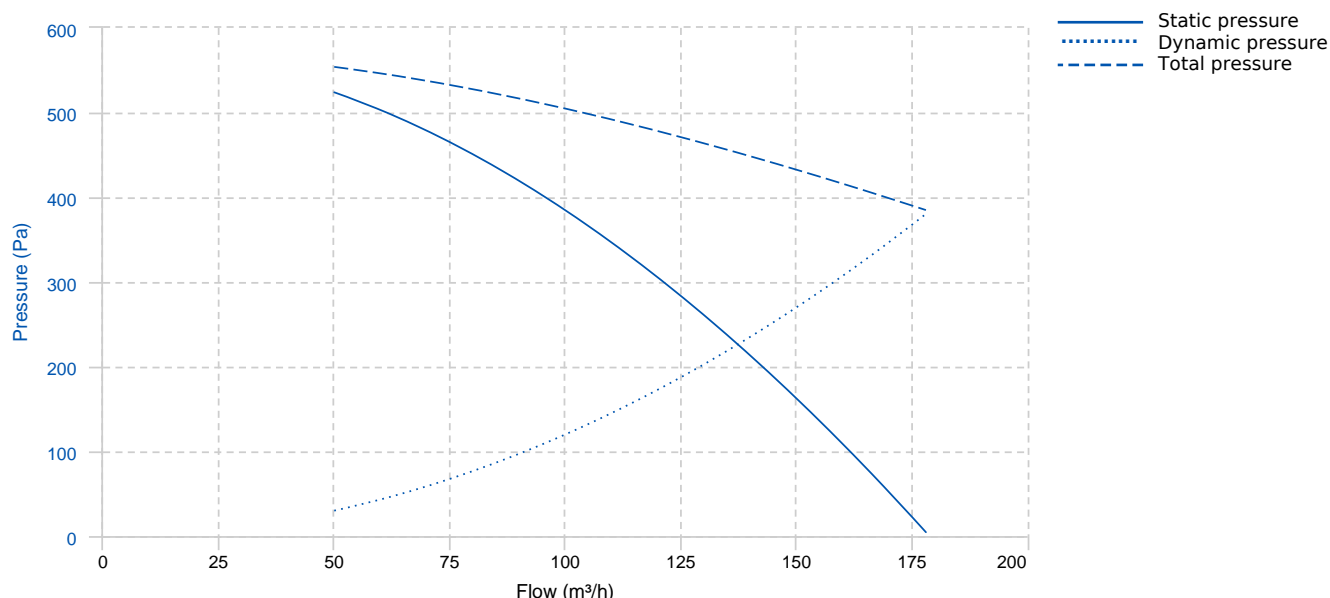
Designed for inline installation, they are suitable for:

- Industrial applications, extraction or injection of air.
- Cooling of machines and parts.
- Clean and slightly dusty air transport.
- Maximum working temperature: carried air: 130°C, environment: 60°C for three phase motors and 50°C for single phase motors.

UNDER REQUEST:

- Fans for special voltages.

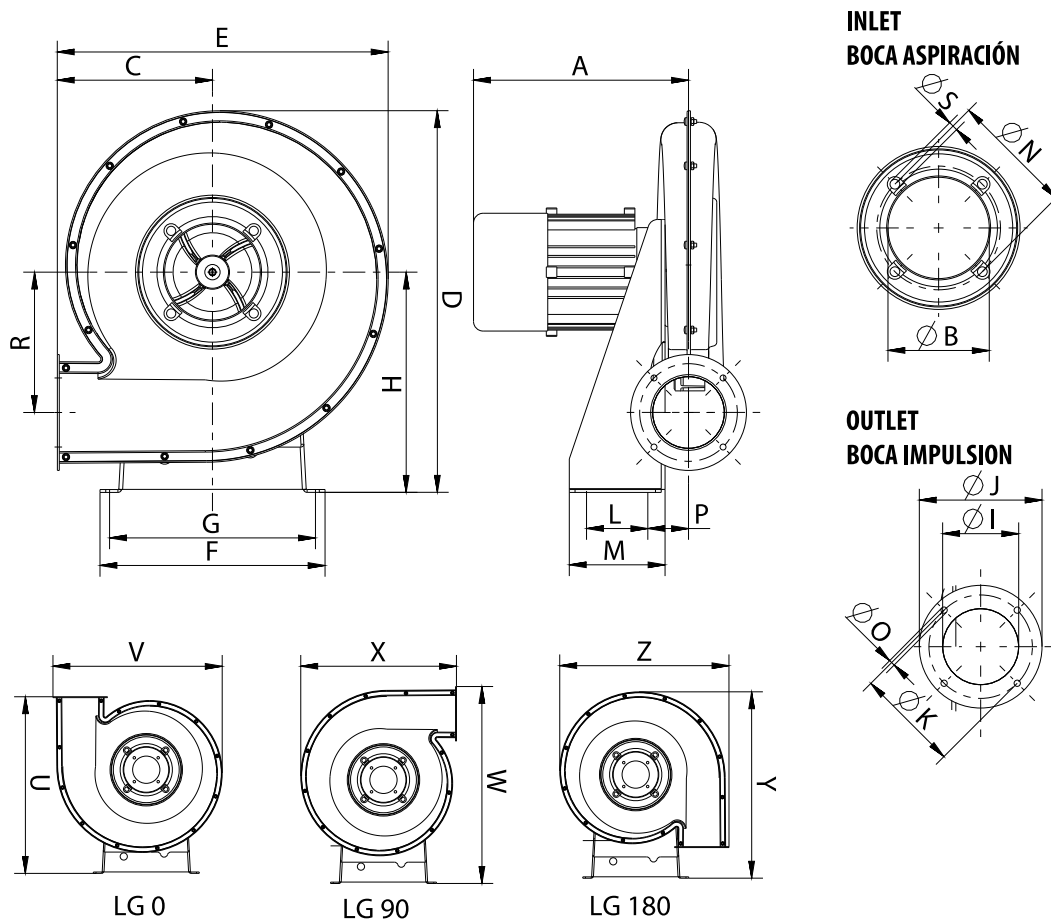
PERFORMANCE CURVE



TECHNICAL DATA

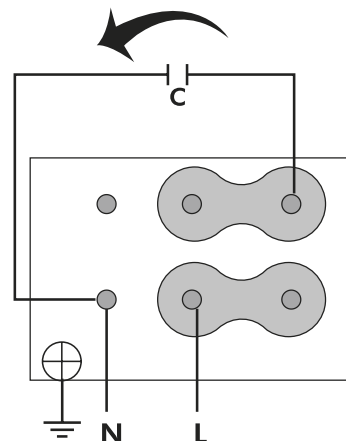
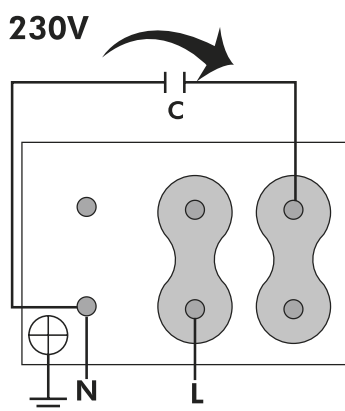
Fan							
RPM	2800	Approx. weight	6 kg	Max. Flow	180 m ³ /h		
Motor							
Power	0,09 kW	RPM	2800	I max. (230V)	0,75 A	Size	56
Approx. weight	2.5 kg	Efficiency (%)	56 %	FP	0.920000017		

DIMENSIONS



Dimensions (mm)									
A (aprox)	200	BØ	80	C	120	D	298	E	260
F	190	G	170	H	170	IØ	50	JØ	82
KØ	72	L	50	M	80	NØ	100	OØ	5,2
P	48	R	113,5	S	M6	U	290	V	283
W	324,5	X	260	Y	310	Z	283		

WIRING DIAGRAM



ACCESSORIES



SAFETY SWITCH
INT 25 3P A
REF: INT253PA



ANTI-VIBRATING FLANGE 400^º/2H
BA-400 10/12
REF: 960002068



CONNECTION FLANGE
AC 80
REF: 960003201



ANTI-VIBRATION RUBBER BLOCK
AVR (GENERIC)



ACOUSTIC CABINS FOR CENTRIFUGAL FANS
AB (GENERIC)



INLET PROTECTION GUARD FOR CENTRIFUGAL FANS
RA 10/4
REF: A-253051901



ANTI-VIBRATION JOINT
JE 45
REF: 300719201

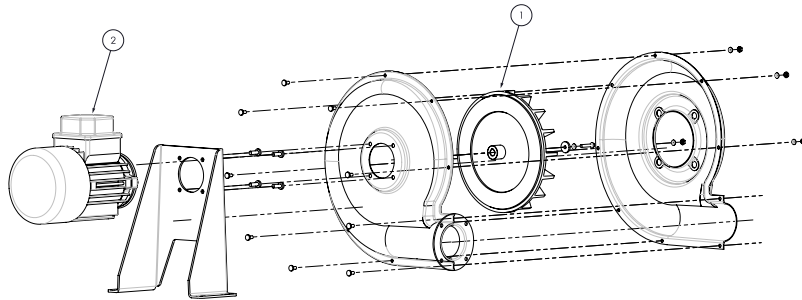


OUTLET PROTECTION GUARD
RBS 18
REF: A-960000376



ANTI-VIBRATION SPRING BLOCK
AVS (GENERIC)

SPARE PARTS



	Code	Model	Qty
1	R-153003651	TURBINE MA18 LG	x1
2	720301017	MOTOR 0,09kW M2 B14 230V	x1